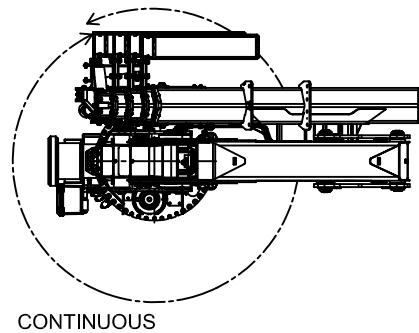
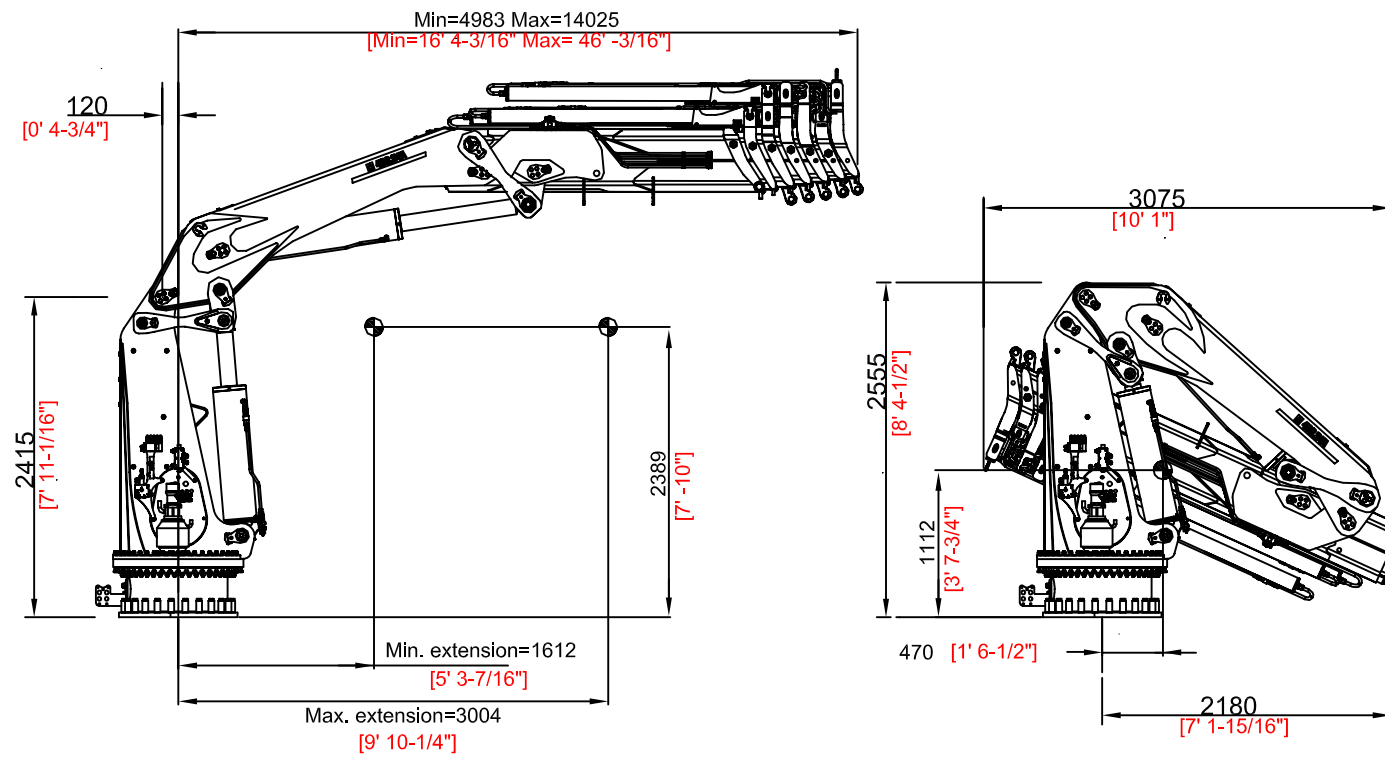
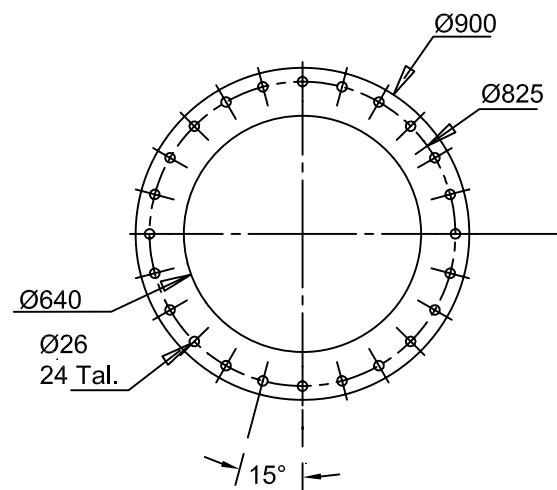


REVISION HISTORY				
ZONE	REV	DESCRIPTION	DATE	APP'D
		RELEASE DWG	5/23/14	DMW

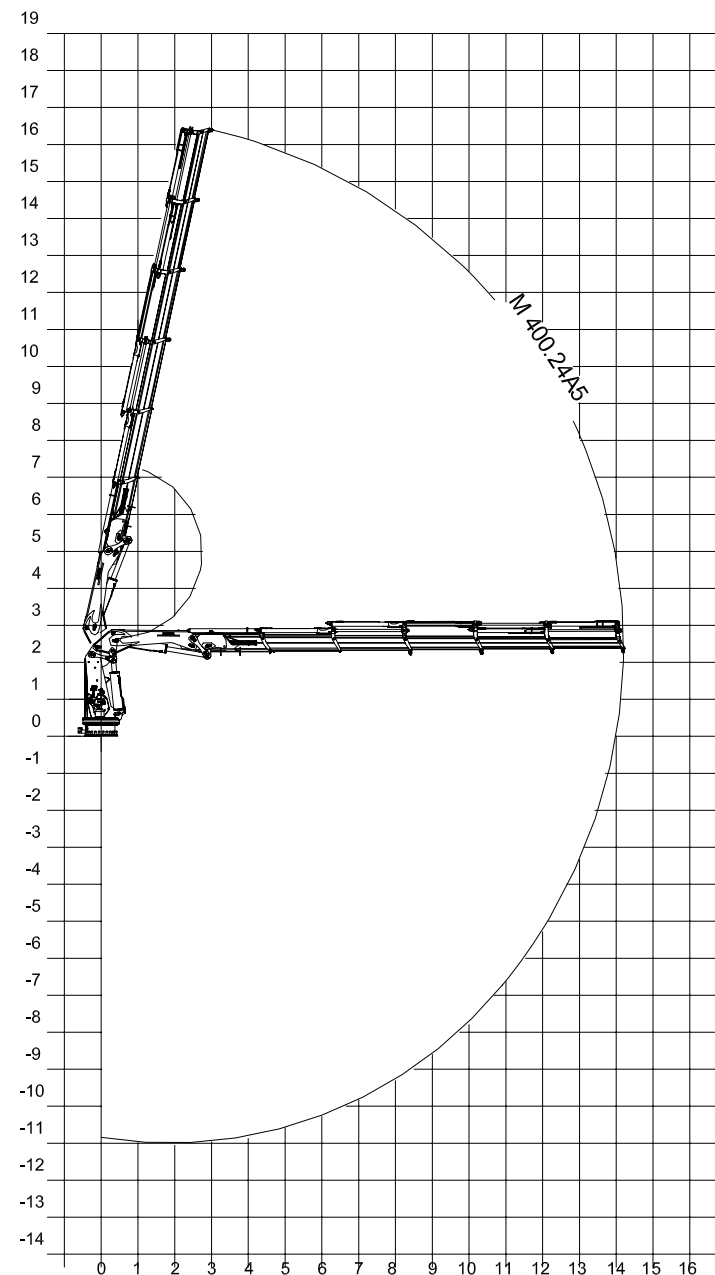
Retracted and Parked Views



Mounting Base Dimensions (1:10 Scale)



Positions Diagram (1:80 Scale)



Technical Data

Gross Lifting Moment	351.80 kNm [259473 Lbf FT]
Maximum Lifting Dynamic Moment	491.5 kNm [362511.2 Lbf FT]
Max Hydraulic Horizontal Outreach	14.2 m [46' 7-1/32"]
Slewing Angle	Continuous
Max Rotational Torque	45.1 kNm [33263.99 Lbf FT]
Recommended Volume of Oil in Tank	180 L [47.55 Gallons]
Max Working Oil Pressure	280 bar [4061 PSI]
Recommended Pump Delivery	70 L/min [18.49 Gallons/Min]
Electrical Power Requirement	32.6 kW / 44.4 CV
Weight of Standard Crane	4405 kg [9711.2 LBF]

Mounting Base Installation

Quantity of Bolts Required	24
Thread Pitch and Class	M24 x 160 Class 10.9

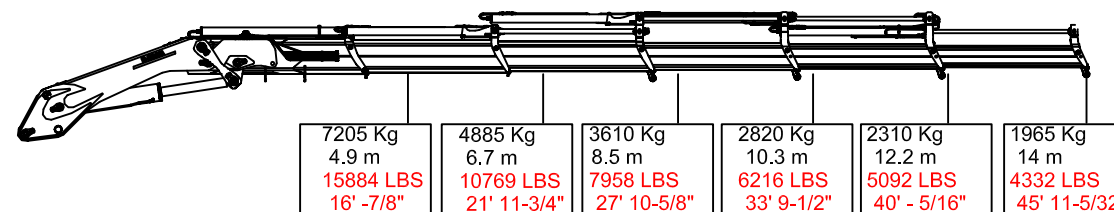
Standard Features

- Built according to DIN 15018-H1-B3 standards.
- Crane structure is sandblasted and metallized.
- Double coat of primer and two layers of paint.
- Special cylinders with Ni-Cr piston rods for marine environments.
- Female fittings in stainless steel, and male fittings in carbon steel.
- Stainless steel hydraulic installation pipes.
- Hoses with rubber "Type A" double coat.
- Crown Wheel-bearing slewing system, actuated by motor reducers.
- Safety valves on the cylinders.
- Hydraulic load limiter.
- Emergency stop button.

Optional Features

- Hydraulic winch
- Manual extensions
- Remote control
- Auxiliary hydraulic intakes
- Cab

Load Chart



UNLESS OTHERWISE SPECIFIED:
DIMENSIONS ARE IN MILLIMETERS
TOLERANCES:
FRACTIONAL ±
ANGULAR MACH ± BEND ±
TWO PLACE DECIMAL ±
THREE PLACE DECIMAL ±

PROPRIETARY AND CONFIDENTIAL
THE INFORMATION CONTAINED IN THIS DRAWING IS THE SOLE PROPERTY OF DMW MARINE GROUP, LLC. ANY REPRODUCTION IN PART OR AS A WHOLE WITHOUT THE WRITTEN PERMISSION OF DMW MARINE GROUP, LLC IS PROHIBITED.

NAME	DATE
JSL	5/23/14
DW	5/23/14

DMW MARINE GROUP, LLC
CHESTER SPRING, PA

TITLE:
**MODEL M400.24A5
MARINE CRANE**

SIZE/DWG. NO.
D DMW-M400-24A5

SCALE=NTS WEIGHT: 4405 Kg SHEET 1 OF 1

REV
-