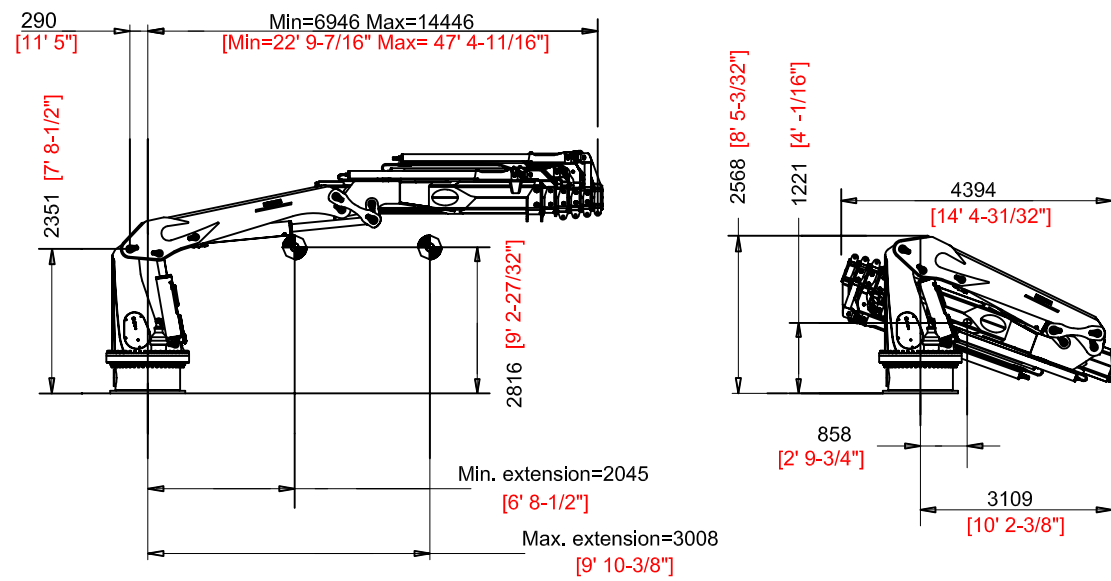
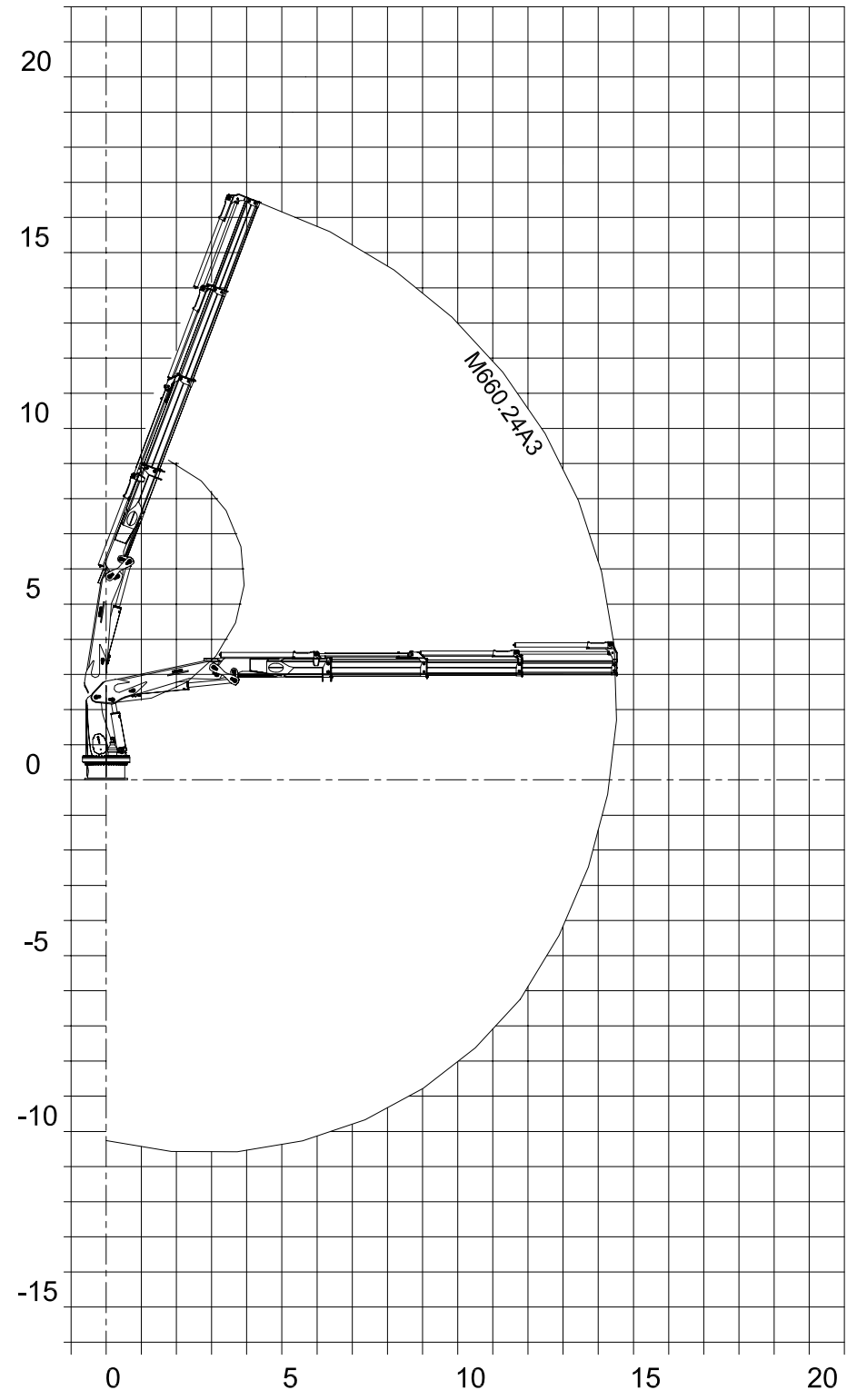


| REVISION HISTORY | | | | |
|------------------|-----|-------------|------|-------|
| ZONE | REV | DESCRIPTION | DATE | APP'D |
| | | | | |

Retracted and Parked Views (1:60 Scale)



Positions Diagram (1:100 Scale)



Technical Data

| | |
|-----------------------------------|-------------------------------|
| Gross Lifting Moment | 618.0 kNm [455812.69 Lbf FT] |
| Maximum Lifting Dynamic Moment | 908.0 kNm [669705.40 Lbf FT] |
| Max Hydraulic Horizontal Outreach | 14.4 m [47' 2-29/32"] |
| Slewing Angle | 360° CONTINUOUS |
| Max Rotational Torque | 77.4 kNm [57087.21 LBF FT] |
| Recommended Volume of Oil in Tank | 260 L [68.69 Gallons] |
| Max Working Oil Pressure | 240 bar [3481 PSI] |
| Recommended Pump Delivery | 100 L/min [26.64 Gallons/Min] |
| Electrical Power Requirement | 40 kW / 54.3 CV |
| Weight of Standard Crane | 7675 kg [16920 LBF] |

Mounting Base Installation

| | |
|----------------------------|---------------------|
| Quantity of Bolts Required | 32 |
| Thread Pitch and Class | M27 .3mm Class 10.9 |

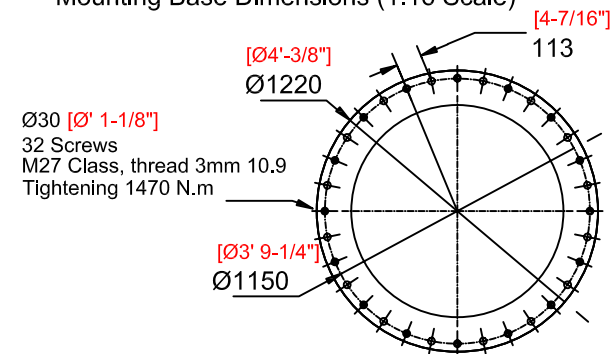
Standard Features

- Built according to DIN 15018-H1-B3 standards.
- Crane structure is sandblasted and metallized.
- Double coat of primer and two layers of paint.
- Special cylinders with Ni-Cr piston rods for marine environments.
- Female fittings in stainless steel, and male fittings in carbon steel.
- Stainless steel hydraulic installation pipes.
- Hoses with rubber "Type A" double coat.
- Crown Wheel-bearing slewing system, actuated by motor reducers.
- Safety valves on the cylinders.
- Hydraulic load limiter.
- Emergency stop button.

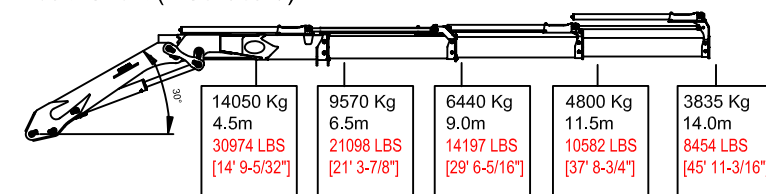
Optional Features

- Hydraulic winch
- Remote control
- Auxiliary hydraulic intakes
- Cab

Mounting Base Dimensions (1:16 Scale)



Load Chart (1:80 Scale)



PROPRIETARY AND CONFIDENTIAL
THE INFORMATION CONTAINED IN THIS DRAWING IS THE SOLE PROPERTY OF DMW MARINE GROUP, LLC. ANY REPRODUCTION IN PART OR AS A WHOLE WITHOUT THE WRITTEN PERMISSION OF DMW MARINE GROUP, LLC IS PROHIBITED.

| | | | |
|--|------------------------|-----------------------|--------------|
| UNLESS OTHERWISE SPECIFIED: DIMENSIONS ARE IN MILLIMETERS TOLERANCES: FRACTIONAL ± ANGULAR MACH ± BEND ± TWO PLACE DECIMAL ± THREE PLACE DECIMAL ± | DRAWN JL 1/27/14 | CHECKED DW 1/27/14 | NAME DATE |
| INTERPRET GEOMETRIC TOLERANCING PER: FIRST ANGLE PROJECTION | ENG APPR. MFG APPR. | Q.A. COMMENTS: | |

| | |
|---|-----------------|
| DMW MARINE GROUP, LLC CHESTER SPRING, PA | |
| TITLE: MODEL M660.24A3 MARINE CRANE | |
| SIZE/DWG. NO. D DMW M660-24A3 | REV - |
| SCALE=1:40 | WEIGHT: 7220 Kg |
| SHEET 1 OF 1 | |