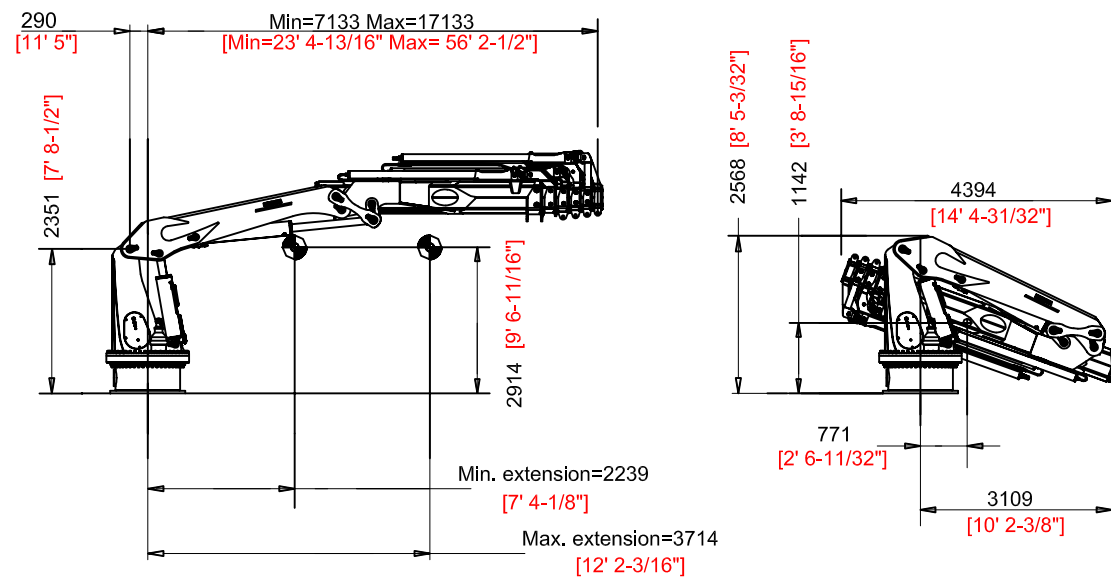
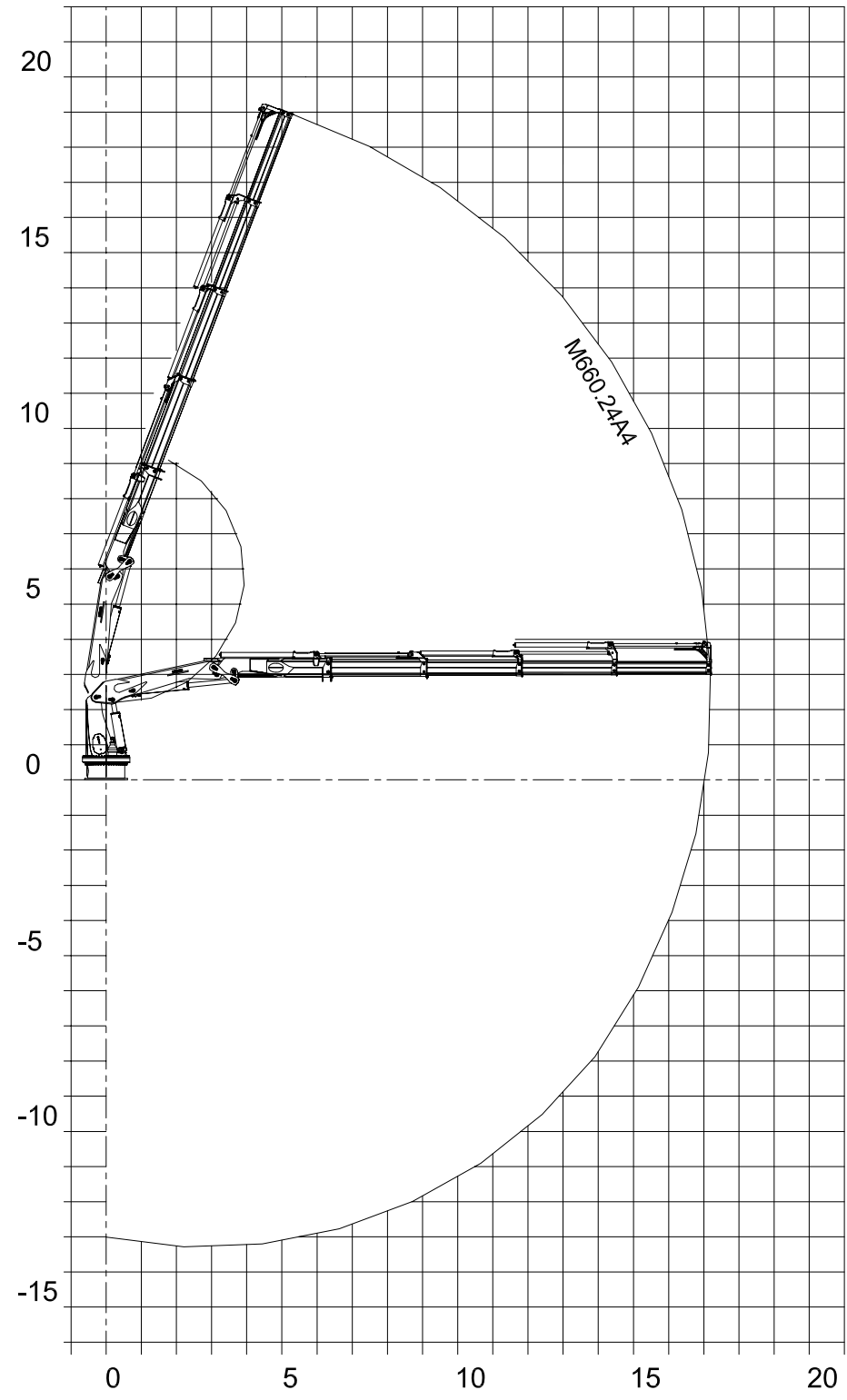


REVISION HISTORY				
ZONE	REV	DESCRIPTION	DATE	APP'D

Retracted and Parked Views (1:60 Scale)



Positions Diagram (1:100 Scale)



Technical Data

Gross Lifting Moment	593.50 kNm [437742.46 Lbf FT]
Maximum Lifting Dynamic Moment	908.0 kNm [669705.40 Lbf FT]
Max Hydraulic Horizontal Outreach	17.1 m [56' 1-3/16"]
Slewing Angle	360° CONTINUOUS
Max Rotational Torque	77.4 kNm [57087.21 Lbf FT]
Recommended Volume of Oil in Tank	260 L [68.69 Gallons]
Max Working Oil Pressure	240 bar [3481 PSI]
Recommended Pump Delivery	100 L/min [26.64 Gallons/Min]
Electrical Power Requirement	40 kW / 54.3 CV
Weight of Standard Crane	7675 kg [16920 LBF]

Mounting Base Installation

Quantity of Bolts Required	32
Thread Pitch and Class	M27 .3mm Class 10.9

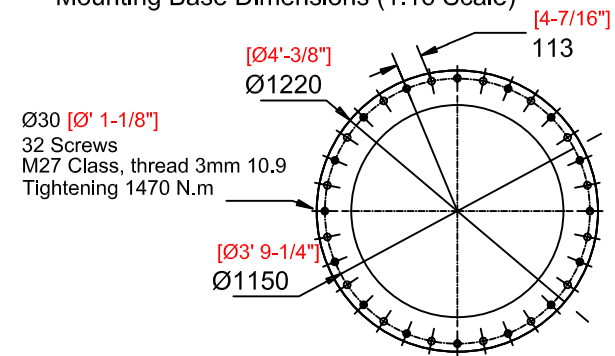
Standard Features

- Built according to DIN 15018-H1-B3 standards.
- Crane structure is sandblasted and metallized.
- Double coat of primer and two layers of paint.
- Special cylinders with Ni-Cr piston rods for marine environments.
- Female fittings in stainless steel, and male fittings in carbon steel.
- Stainless steel hydraulic installation pipes.
- Hoses with rubber "Type A" double coat.
- Crown Wheel-bearing slewing system, actuated by motor reducers.
- Safety valves on the cylinders.
- Hydraulic load limiter.
- Emergency stop button.

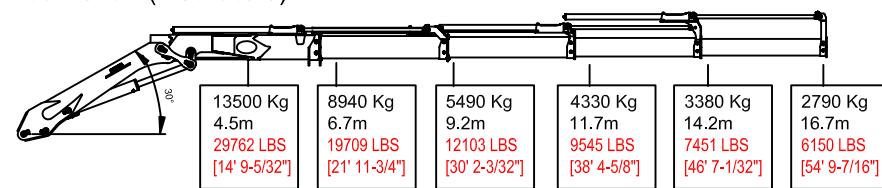
Optional Features

- Hydraulic winch
- Remote control
- Auxiliary hydraulic intakes
- Cab

Mounting Base Dimensions (1:16 Scale)



Load Chart (1:80 Scale)



PROPRIETARY AND CONFIDENTIAL
THE INFORMATION CONTAINED IN THIS DRAWING IS THE SOLE PROPERTY OF DMW MARINE GROUP, LLC. ANY REPRODUCTION IN PART OR AS A WHOLE WITHOUT THE WRITTEN PERMISSION OF DMW MARINE GROUP, LLC IS PROHIBITED.

UNLESS OTHERWISE SPECIFIED:	DRAWN	NAME	DATE
DIMENSIONS ARE IN MILLIMETERS	JL	DW	1/24/14
TOLERANCES:	CHECKED		
FRACTIONAL ±	ENG APPR.		
ANGULARS MACH ±	MFG APPR.		
BEND ±			
TWO PLACE DECIMAL ±			
THREE PLACE DECIMAL ±			
INTERPRET GEOMETRIC TOLERANCING PER:			
FIRST ANGLE PROJECTION			

DMW MARINE GROUP, LLC	
CHESTER SPRING, PA	
TITLE:	
MODEL M660.24A4	
MARINE CRANE	
SIZE/DWG. NO.	REV
D DMW M660-24A4	-
SCALE=1:40	WEIGHT: 7675 Kg
	SHEET 1 OF 1

DMW M660.24A4