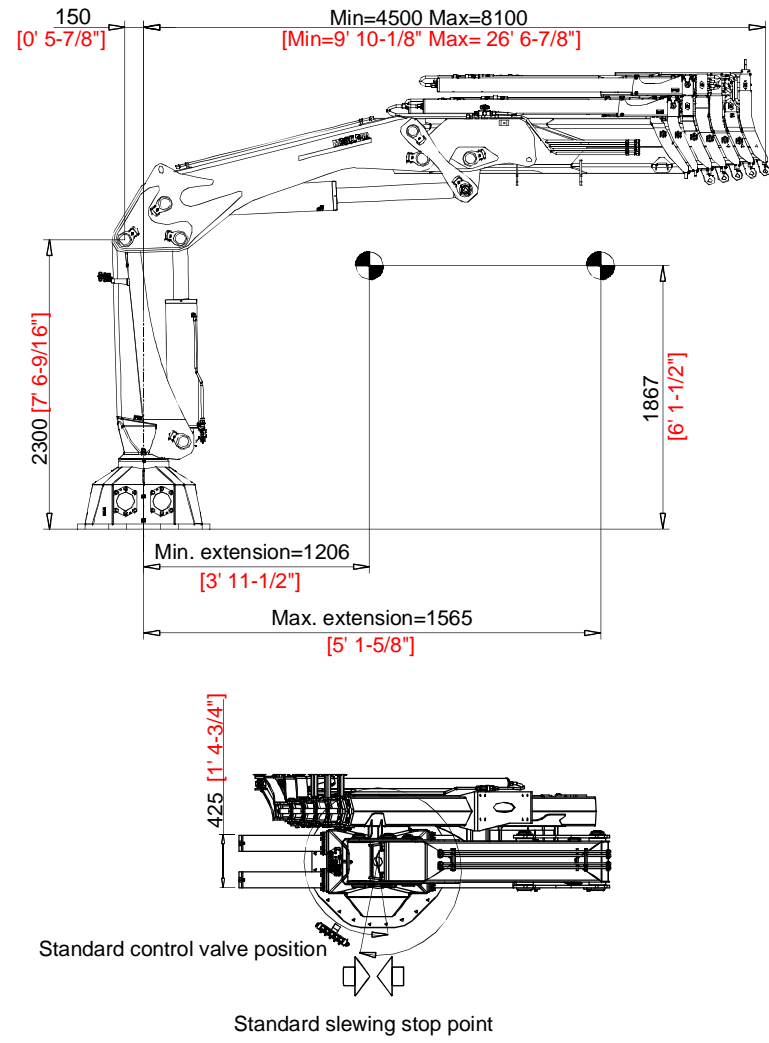
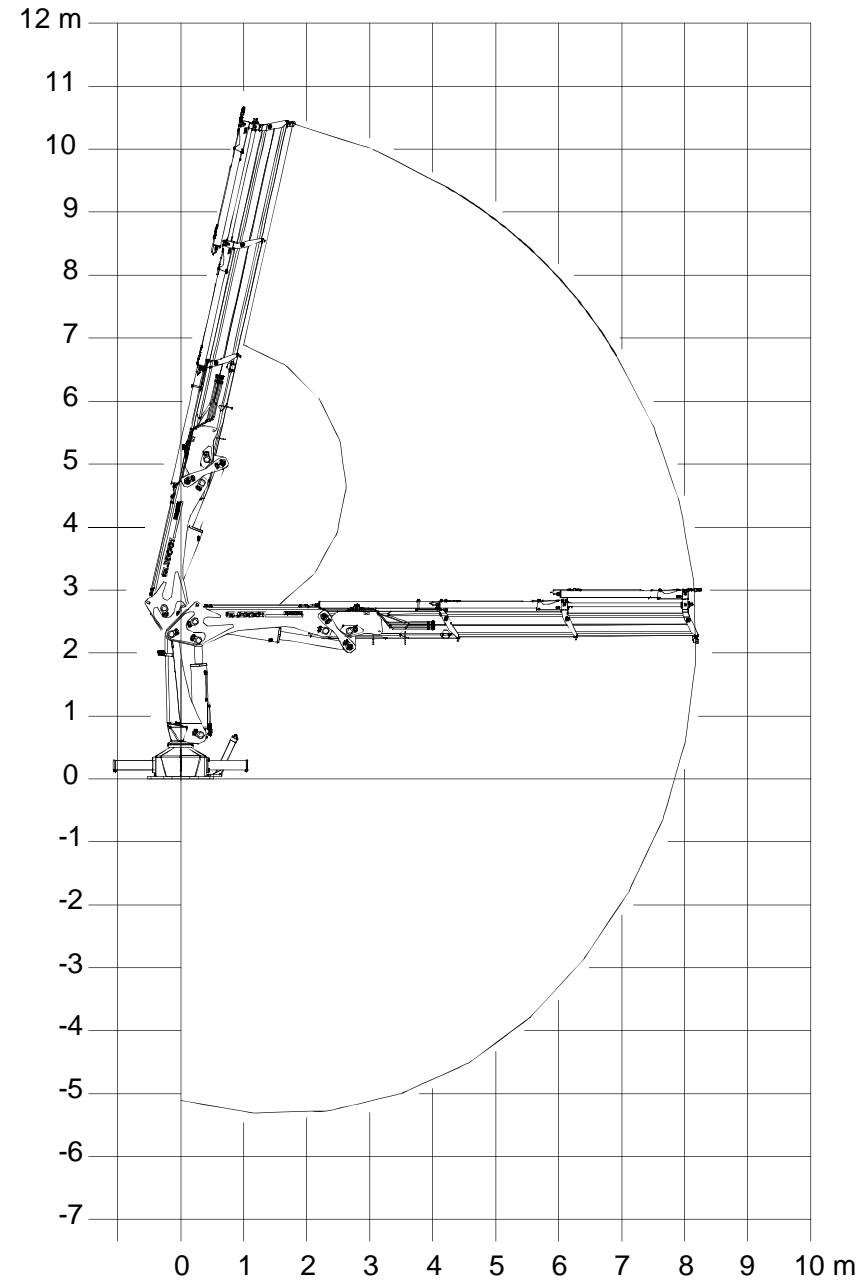


REVISION HISTORY				
ZONE	REV	DESCRIPTION	DATE	APP'D
A4	A	3m LIFTING CAPACITY WAS 10425 KG	7/27/14	MR

Retracted and Parked Views (1:30 Scale)



Positions Diagram (1:60 Scale)



Technical Data

Gross Lifting Moment	314.4 kNm [231889.18 Lbf FT]
Maximum Lifting Dynamic Moment	421.8 kNm [311103.24 Lbf FT]
Max Hydraulic Horizontal Outreach	8.3 m [27' 2-3/4"]
Slewing Angle	395°
Max Rotational Torque	55 kNm [40565.85 Lbf FT]
Recommended Volume of Oil in Tank	180 L [47.55 Gallons]
Max Working Oil Pressure	240 bar [3481 PSI]
Recommended Pump Delivery	70 L/min [18.49 Gallons/Min]
Electrical Power Requirement	29.4 kW / 40 CV
Weight of Standard Crane	3645 kg [8036 LBF]

Mounting Base Installation

Quantity of Bolts Required	24
Thread Pitch and Class	M24 x 120 Class 10.9

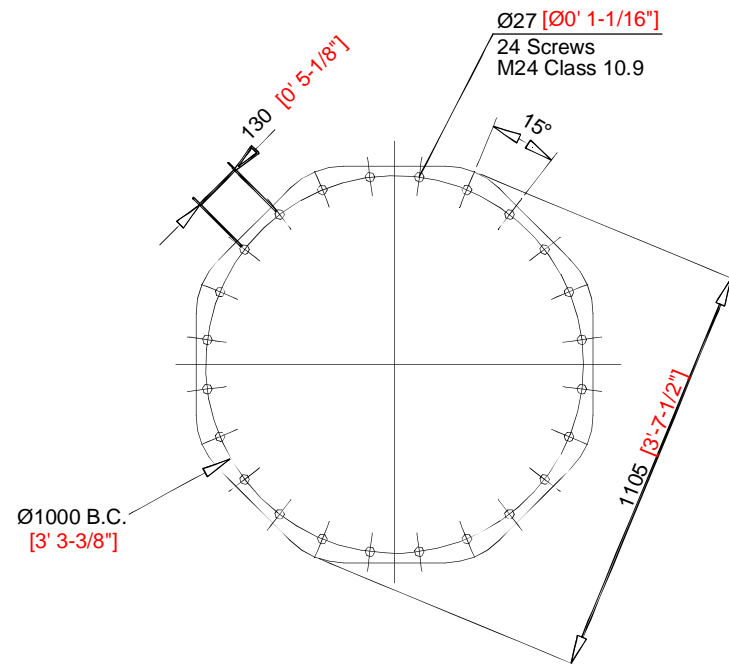
Standard Features

- Built according to DIN 15018-H1-B3 standards.
- Crane structure is sandblasted and metallized.
- Double coat of primer and two layers of paint.
- Special cylinders with Ni-Cr piston rods for marine environments.
- Female fittings in stainless steel, and male fittings in carbon steel.
- Stainless steel hydraulic installation pipes.
- Hoses with rubber "Type A" double coat.
- Wheel-rack slewing system, via cylinders, with bronze bushings.
- Safety valves on the cylinders.
- Hydraulic load limiter.
- Emergency stop button.

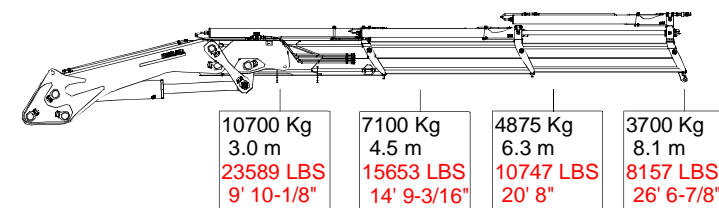
Optional Features

- Hydraulic winch
- Manual extensions
- Remote control
- Auxiliary hydraulic intakes
- Cab

Mounting Base Dimensions (1:10 Scale)



Load Chart



UNLESS OTHERWISE SPECIFIED: DIMENSIONS ARE IN MILLIMETERS TOLERANCES: FRACTIONAL ± ANGULAR, MACH ± BEND ± TWO PLACE DECIMAL ± THREE PLACE DECIMAL ±		NAME RJS DW	DATE 10/4/13 10/4/13	DW MARINE GROUP, LLC CHESTER SPRING, PA
INTERPRET GEOMETRIC TOLERANCING PER: FINISH: FIRST ANGLE PROJECTION	Q.A. COMMENTS:	TITLE: MODEL M330.24A2 MARINE CRANE		SIZE/DWG. NO. D DMG M330.24A2
PROPRIETARY AND CONFIDENTIAL THE INFORMATION CONTAINED IN THIS DRAWING IS THE SOLE PROPERTY OF DMW MARINE GROUP, LLC. ANY REPRODUCTION IN PART OR AS A WHOLE WITHOUT THE WRITTEN PERMISSION OF DMW MARINE GROUP, LLC IS PROHIBITED.		SCALE=1:40 WEIGHT: 3645 Kg SHEET 1 OF 1		REV A