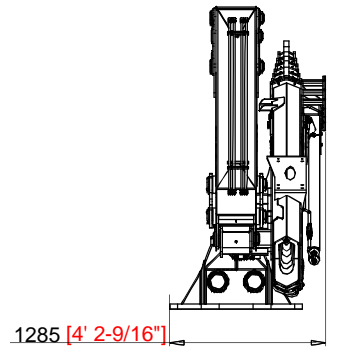
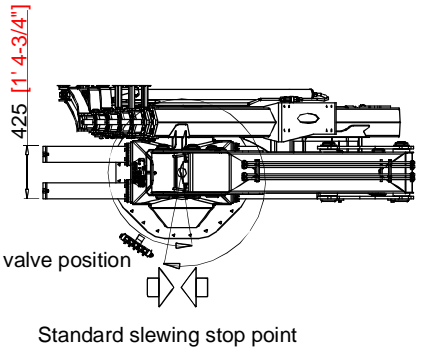
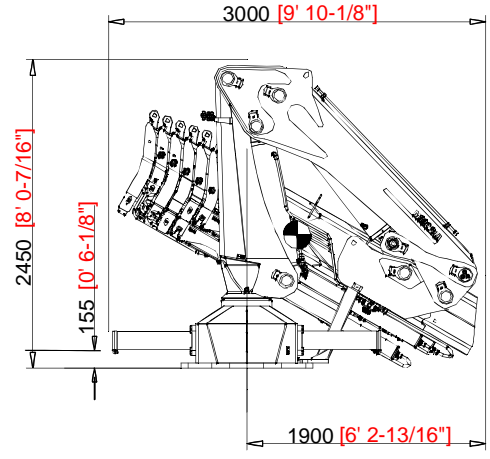
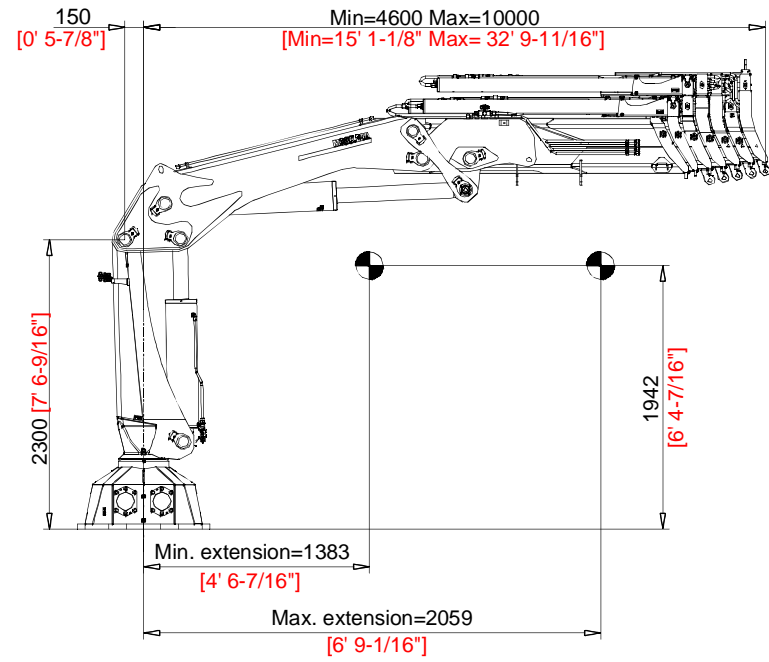
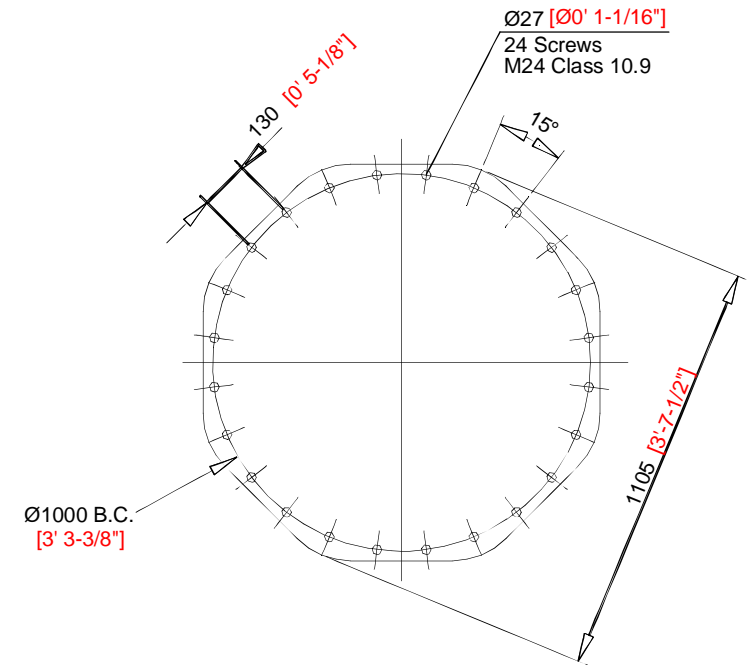


REVISION HISTORY				
ZONE	REV	DESCRIPTION	DATE	APP'D
A3	A	10m LIFTING CAPACITY WAS 2500 KG	7/27/14	MR

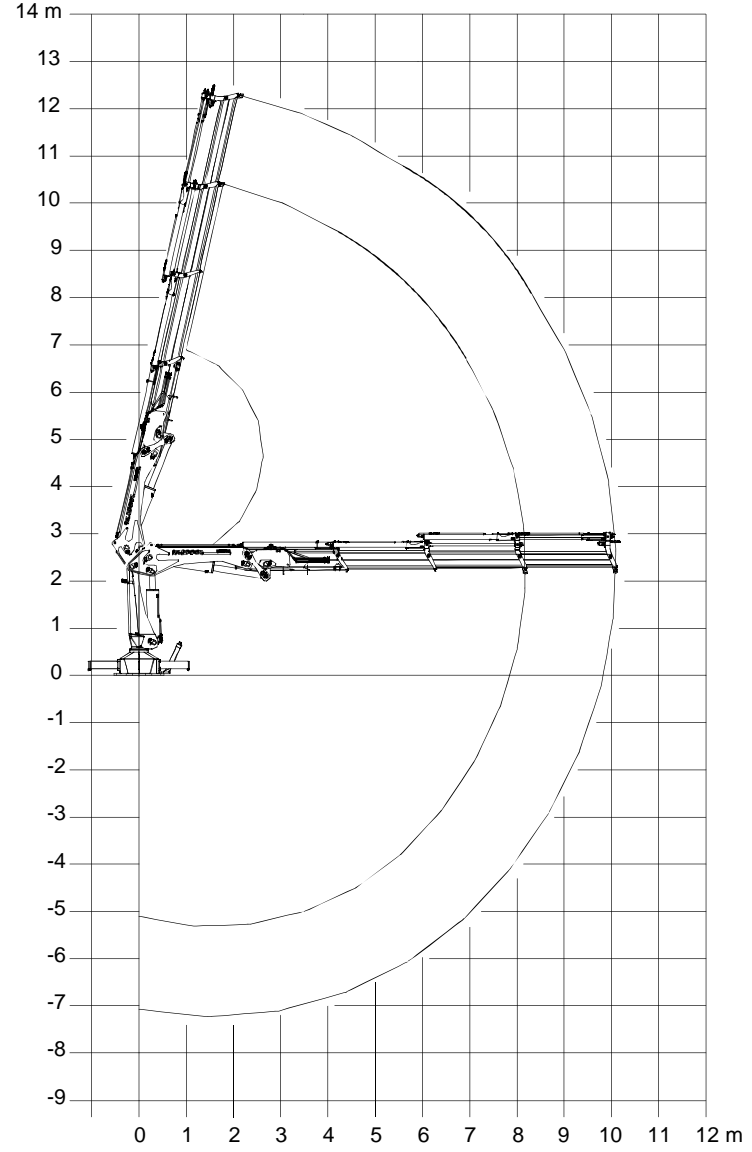
Retracted and Parked Views (1:30 Scale)



Mounting Base Dimensions (1:10 Scale)



Positions Diagram (1:80 Scale)



**Technical Data**

Gross Lifting Moment	305.6 kNm [225398.65 Lbf FT]
Maximum Lifting Dynamic Moment	418.2 kNm [308448.02 Lbf FT]
Max Hydraulic Horizontal Outreach	10.2 m [33' 5-9/16"]
Slewing Angle	395°
Max Rotational Torque	55 kNm [40565.85 Lbf FT]
Recommended Volume of Oil in Tank	180 L [47.55 Gallons]
Max Working Oil Pressure	240 bar [3481 PSI]
Recommended Pump Delivery	70 L/min [18.49 Gallons/Min]
Electrical Power Requirement	29.4 kW / 40 CV
Weight of Standard Crane	3810 kg [8400 LBF]

**Mounting Base Installation**

Quantity of Bolts Required	24
Thread Pitch and Class	M24 x 120 Class 10.9

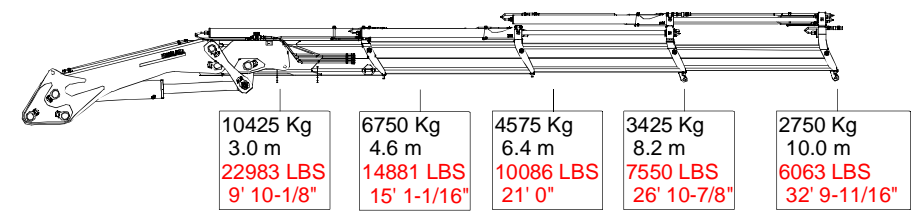
**Standard Features**

- Built according to DIN 15018-H1-B3 standards.
- Crane structure is sandblasted and metallized.
- Double coat of primer and two layers of paint.
- Special cylinders with Ni-Cr piston rods for marine environments.
- Female fittings in stainless steel, and male fittings in carbon steel.
- Stainless steel hydraulic installation pipes.
- Hoses with rubber "Type A" double coat.
- Wheel-rack slewing system, via cylinders, with bronze bushings.
- Safety valves on the cylinders.
- Hydraulic load limiter.
- Emergency stop button.

**Optional Features**

- Hydraulic winch
- Manual extensions
- Remote control
- Auxiliary hydraulic intakes
- Cab

Load Chart



UNLESS OTHERWISE SPECIFIED:		NAME	DATE	DMW MARINE GROUP, LLC	
DIMENSIONS ARE IN MILLIMETERS		RJS	10/4/13	CRESTER SPRING, PA	
TOLERANCES:		CHECKED	DW	TITLE:	
FRACTIONAL ±		ENG APPR.		MODEL M330.24A3	
ANGULAR: MACH ±		MFG APPR.		MARINE CRANE	
BEND ±		Q.A.		SIZE/DWG. NO.	
TWO PLACE DECIMAL ±		COMMENTS:		D DMG M330.24A3	
THREE PLACE DECIMAL ±				REV	
INTERPRET GEOMETRIC TOLERANCING PER:				A	
FINISH:				SCALE=1:40 WEIGHT: 3810 Kg SHEET 1 OF 1	
FIRST ANGLE PROJECTION					

PROPRIETARY AND CONFIDENTIAL  
THE INFORMATION CONTAINED IN THIS DRAWING IS THE SOLE PROPERTY OF DMW MARINE GROUP, LLC. ANY REPRODUCTION IN PART OR AS A WHOLE WITHOUT THE WRITTEN PERMISSION OF DMW MARINE GROUP, LLC IS PROHIBITED.

D DMG M330.24A3