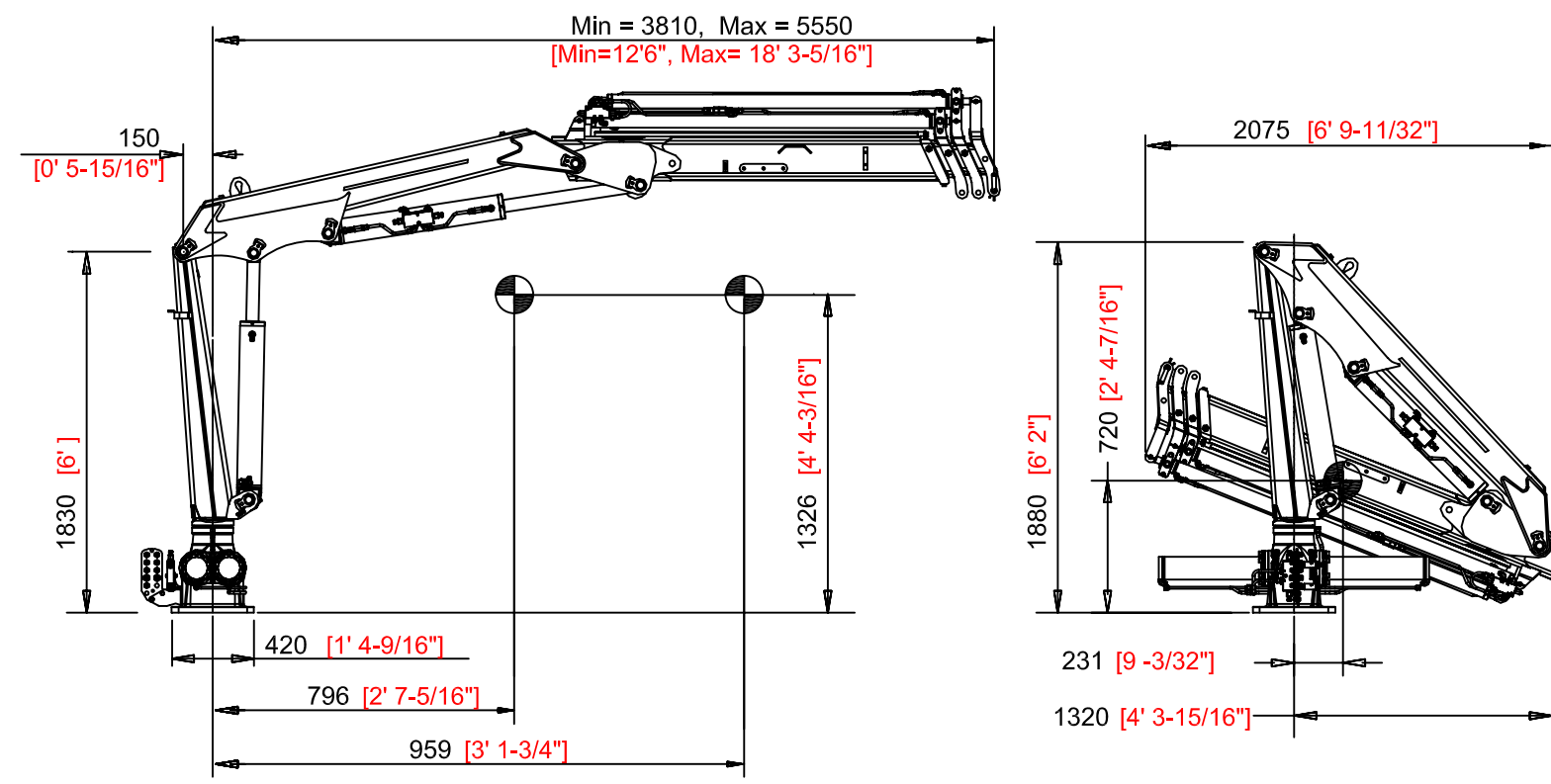
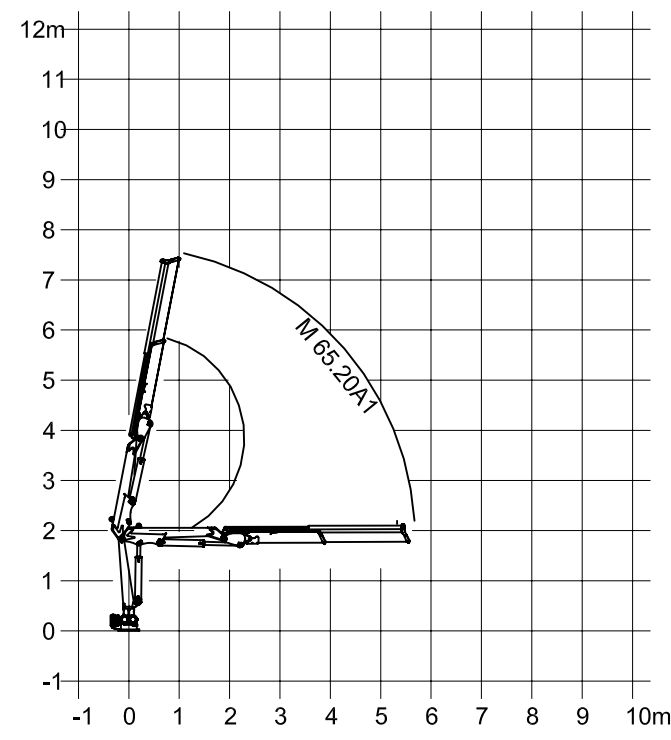


| REVISION HISTORY | | | | |
|------------------|-----|-------------|---------|-------|
| ZONE | REV | DESCRIPTION | DATE | APP'D |
| | - | RELEASE DWG | 6/11/14 | DMW |



Positions Diagram



Technical Data

| | |
|-----------------------------------|-----------------------------|
| Gross Lifting Moment | 61.13 kNm [45087.04 Lbf FT] |
| Maximum Lifting Dynamic Moment | 83.7 kNm [61733.77 Lbf FT] |
| Max Hydraulic Horizontal Outreach | 5.5 m [18' -1/2"] |
| Slewing Angle | 422° |
| Max Rotational Torque | 16.24 kNm [11977.99 Lbf FT] |
| Recommended Volume of Oil in Tank | 50 L [13.20 Gallons] |
| Max Working Oil Pressure | 230 bar [3335 PSI] |
| Recommended Pump Delivery | 25 L/min [6.60 Gallons/Min] |
| Electrical Power Requirement | 9.6 kW / 13 CV |
| Weight of Standard Crane | 900 kg [1984 LBF] |

Mounting Base Installation

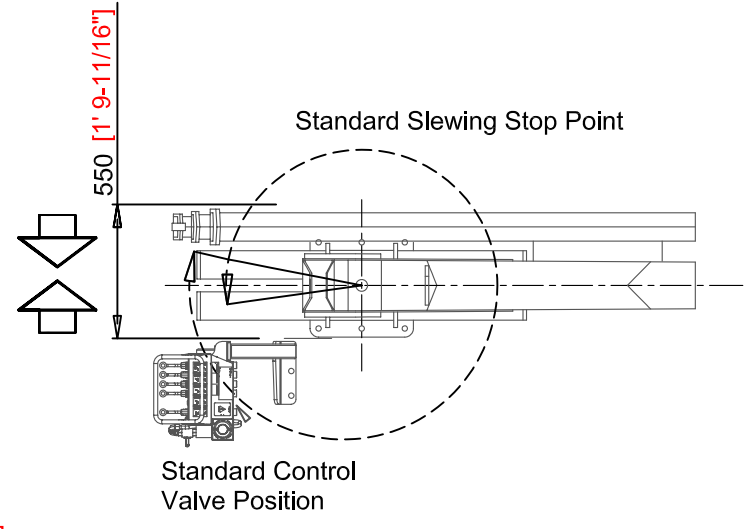
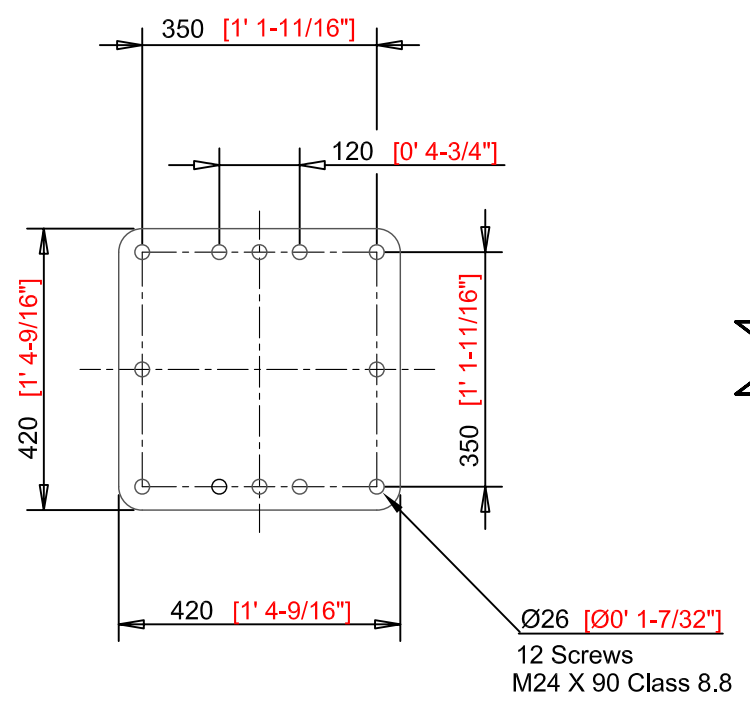
| | |
|----------------------------|---------------|
| Quantity of Bolts Required | 12 |
| Thread Pitch and Class | M24 Class 8.8 |

Standard Features

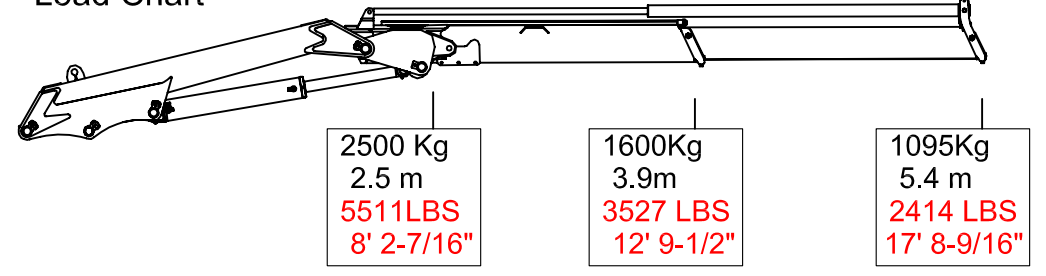
- Built according to DIN 15018-H1-B3 standards.
- Crane structure is sandblasted and metallized.
- Double coat of primer and two layers of paint.
- Special cylinders with Ni-Cr piston rods for marine environments.
- Female fittings in stainless steel, and male fittings in carbon steel.
- Stainless steel hydraulic installation pipes.
- Hoses with rubber "type A" double coat.
- Wheel-rack slewing system, via cylinders, with bronze bushings.
- Safety valves on the cylinders.
- Hydraulic load limiter.
- Emergency stop button.

Optional Features

- Hydraulic winch
- Manual extensions
- Remote control
- Auxiliary hydraulic intakes
- Cab



Load Chart



UNLESS OTHERWISE SPECIFIED:
 DIMENSIONS ARE IN MILLIMETERS
 TOLERANCES:
 FRACTIONAL ±
 ANGULAR MACH ± BEND ±
 TWO PLACE DECIMAL ±
 THREE PLACE DECIMAL ±

PROPRIETARY AND CONFIDENTIAL
 THE INFORMATION CONTAINED IN THIS DRAWING IS THE SOLE PROPERTY OF DMW MARINE GROUP, LLC. ANY REPRODUCTION IN PART OR AS A WHOLE WITHOUT THE WRITTEN PERMISSION OF DMW MARINE GROUP, LLC IS PROHIBITED.

| NAME | DATE |
|-----------|---------|
| JL | 6/11/14 |
| DW | 6/11/14 |
| ENG APPR. | |
| MFG APPR. | |
| C.A. | |

DMW MARINE GROUP, LLC
 CHESTER SPRING, PA

TITLE:
**MODEL M65.20A1
 MARINE CRANE**

SIZE/DWG. NO.
D DMW-M65-20A1

SCALE=1:15 WEIGHT: 900 Kg SHEET 1 OF 1

REV
 -