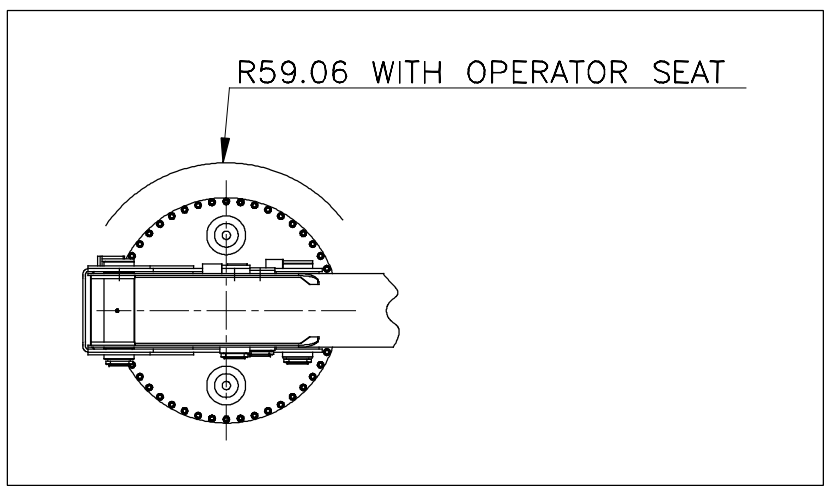
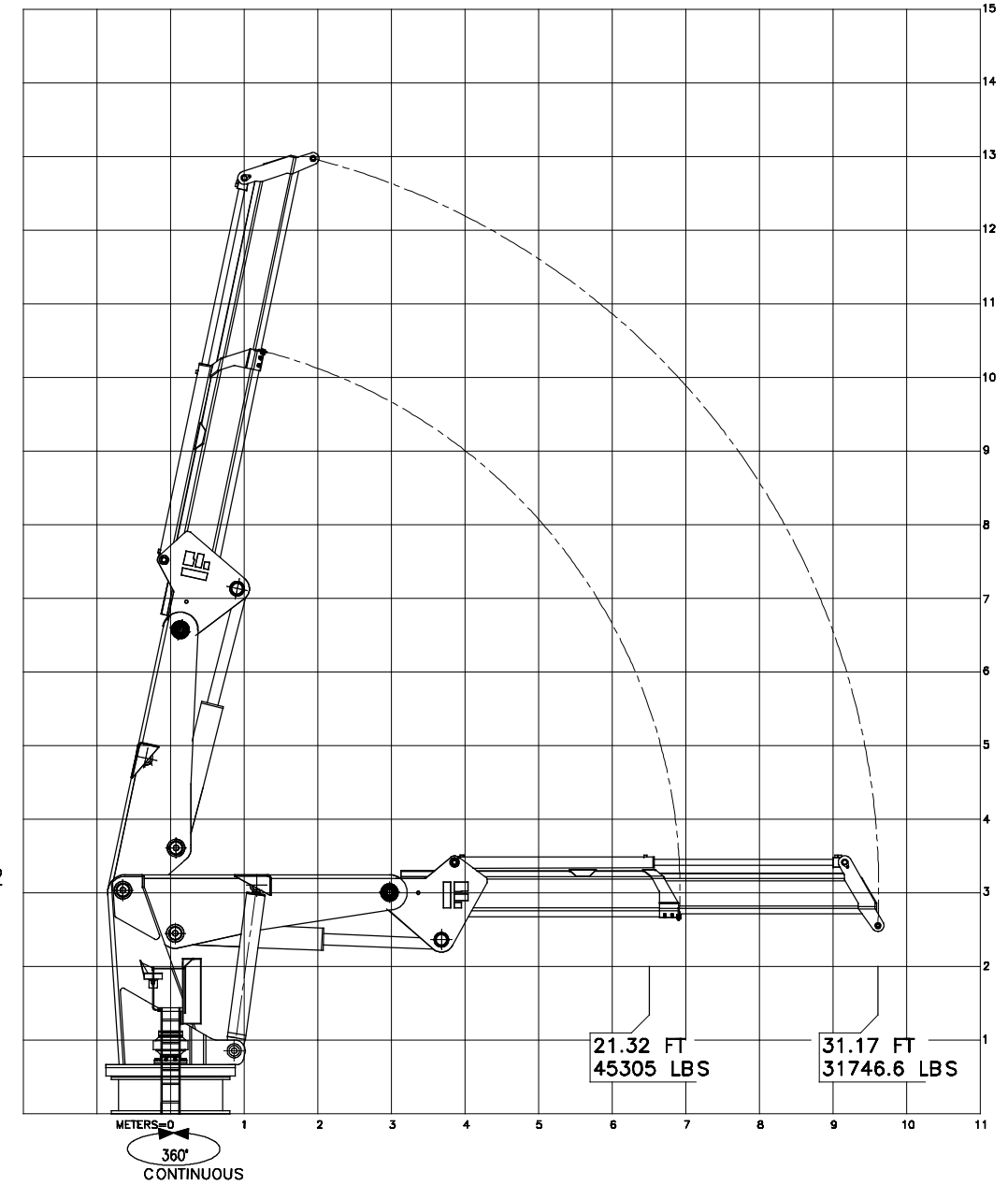
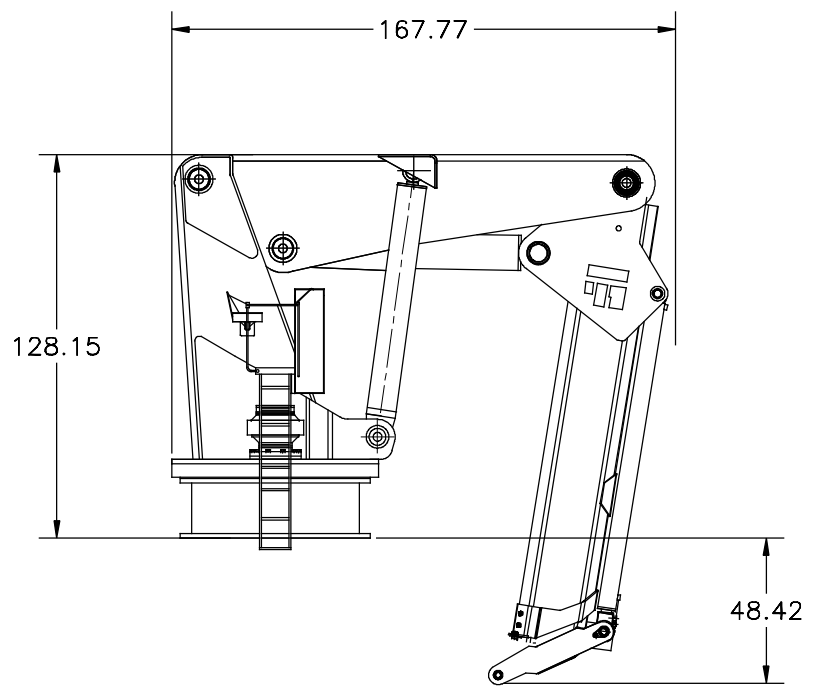
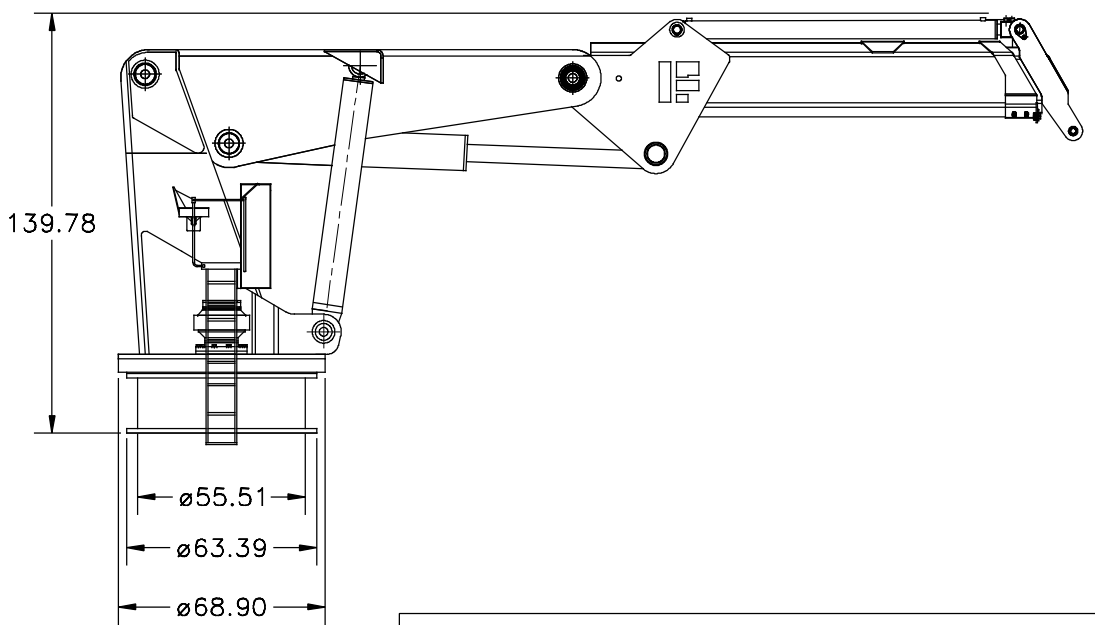
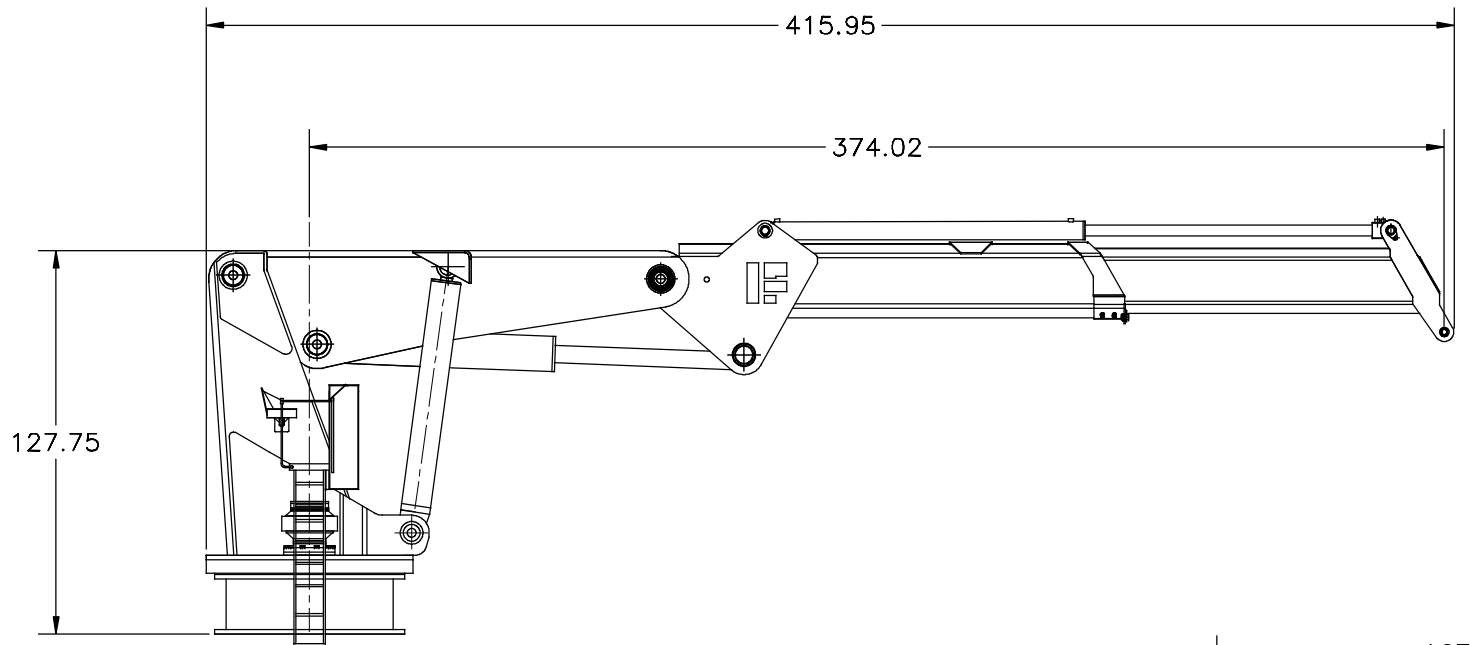


REVISION HISTORY				
ZONE	REV	DESCRIPTION	DATE	APP'D



CRANE VIEWS DRAWN AT 1/32 SCALE

UNLESS OTHERWISE SPECIFIED:		NAME	DATE	DMW MARINE GROUP, LLC CHESTER SPRINGS, PA	
DIMENSIONS ARE IN INCHES		DRAWN		TITLE:	
TOLERANCES:		CHECKED		16.0000 EX1	
FRACTIONAL ±		ENG APPR.		MARINE CRANE	
ANGULAR BACH ± BEND ±		MFG APPR.		SIZE/DWG. NO.	
TWO PLACE DECIMAL ±		Q.A.		D 16.0000 EX1	
THREE PLACE DECIMAL ±		COMMENTS:		SCALE: 1:48 WEIGHT:	
INTERPRET GEOMETRIC TOLERANCING PER:				REV	
FINISH:				-	
THIRD ANGLE PROJECTION				SHEET 1 OF 1	

PROPRIETARY AND CONFIDENTIAL
THE INFORMATION CONTAINED IN THIS DRAWING IS THE SOLE PROPERTY OF DMW MARINE GROUP, LLC. ANY REPRODUCTION IN PART OR AS A WHOLE WITHOUT THE WRITTEN PERMISSION OF DMW MARINE GROUP, LLC IS PROHIBITED.