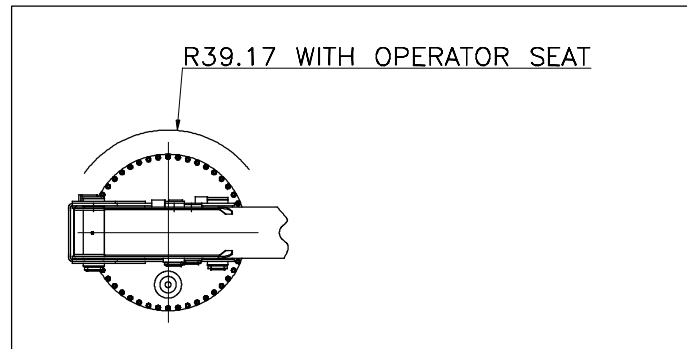
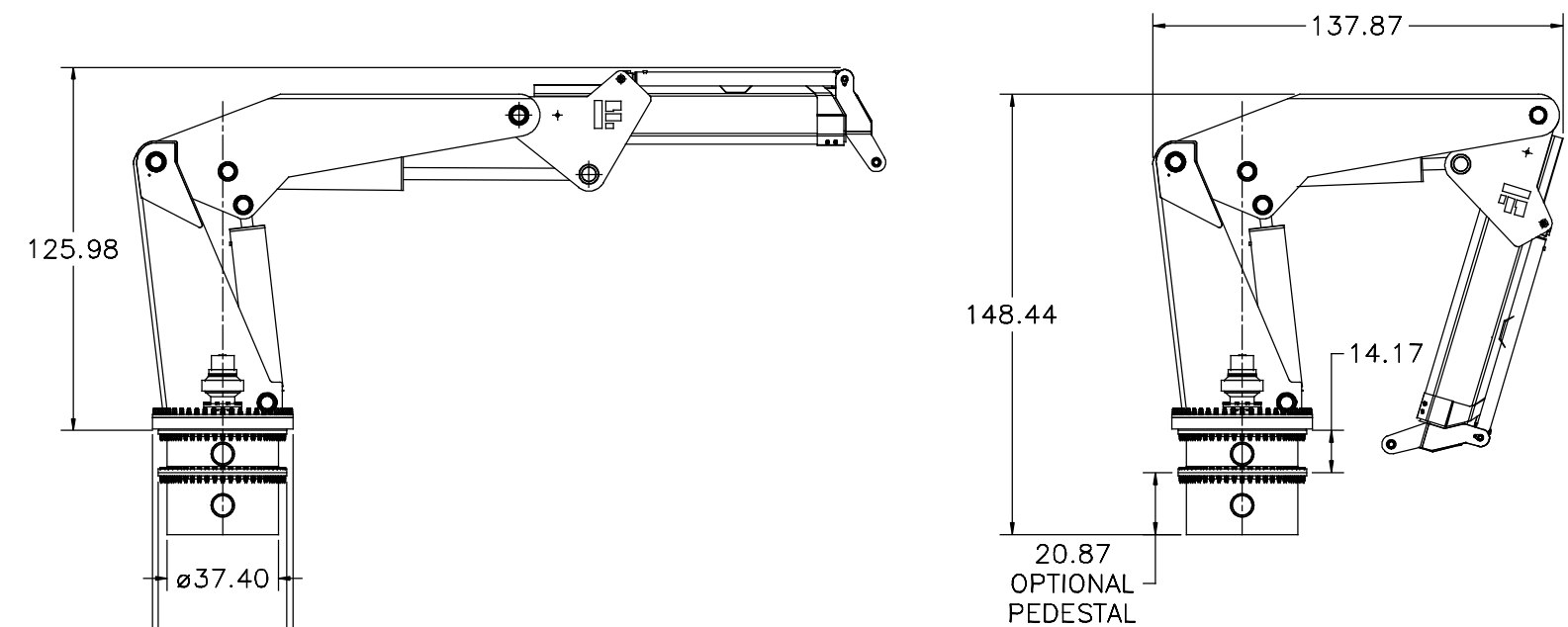
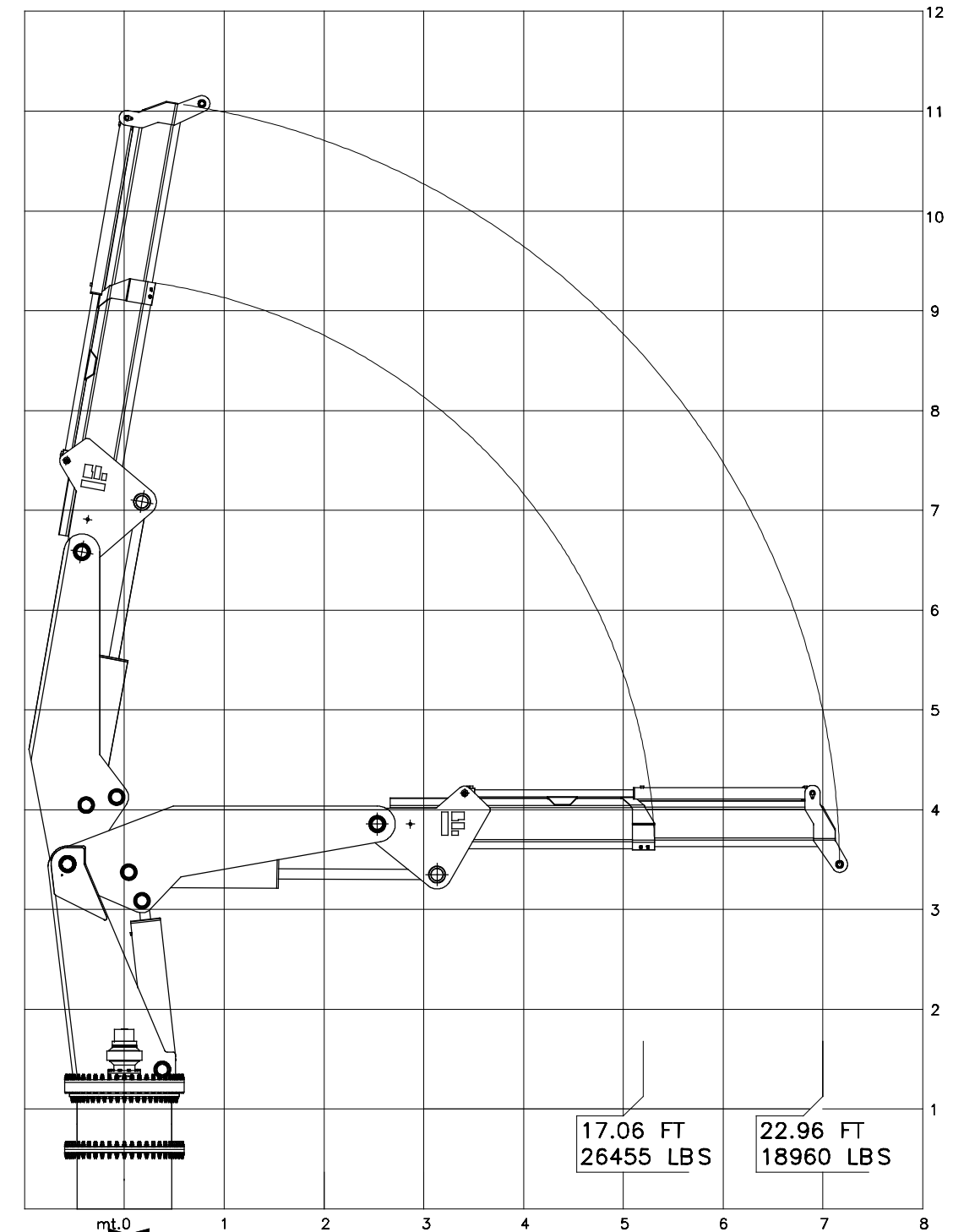
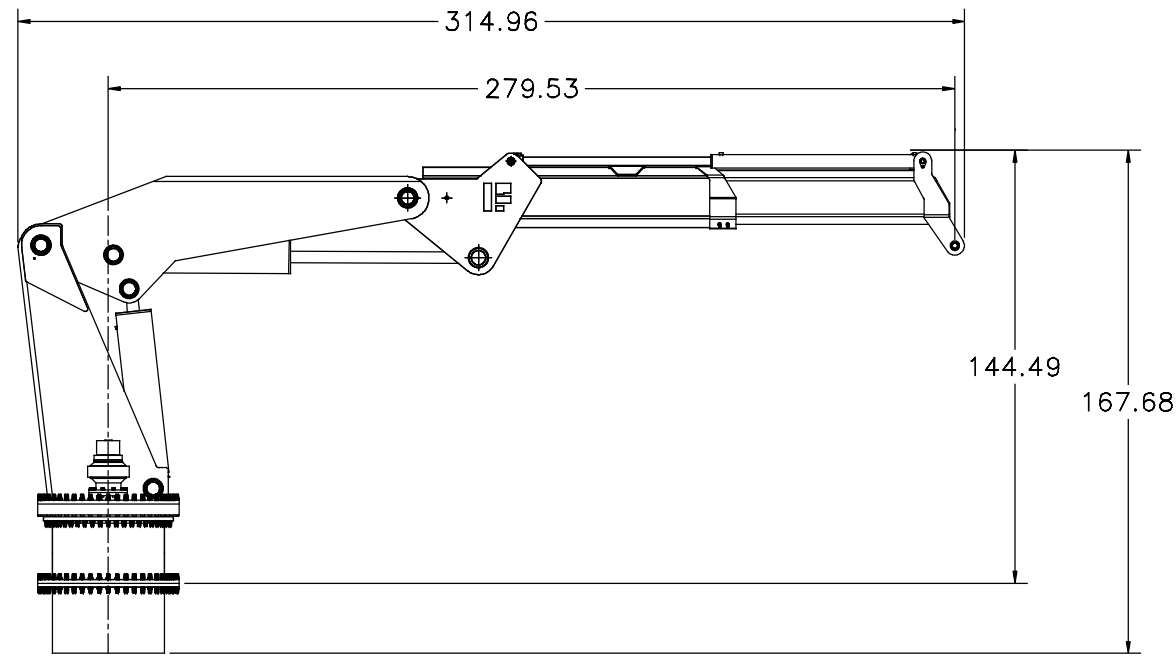


REVISION HISTORY				
ZONE	REV	DESCRIPTION	DATE	APP'D



mt.0
360°
CONTINUOUS

PROPRIETARY AND CONFIDENTIAL
THE INFORMATION CONTAINED IN THIS
DRAWING IS THE SOLE PROPERTY OF
DMW MARINE GROUP, LLC. ANY
REPRODUCTION IN PART OR AS A WHOLE
WITHOUT THE WRITTEN PERMISSION OF
DMW MARINE GROUP, LLC IS PROHIBITED.

UNLESS OTHERWISE SPECIFIED:		NAME	DATE
DIMENSIONS ARE IN INCHES			
TOLERANCES:			
FRACTIONAL ±			
ANGULAR: MACH ±	BEND ±		
TWO PLACE DECIMAL ±			
THREE PLACE DECIMAL ±			
INTERPRET GEOMETRIC TOLERANCING PER:			
FINISH:			
THIRD ANGLE PROJECTION			

DMW MARINE GROUP, LLC CHESTER SPRING, PA	
TITLE: MODEL 60.000 EX1 MARINE CRANE	
SIZE/DWG. NO. D 60.000 EX1	REV -
SCALE: 1:32	WEIGHT: SHEET 1 OF 1