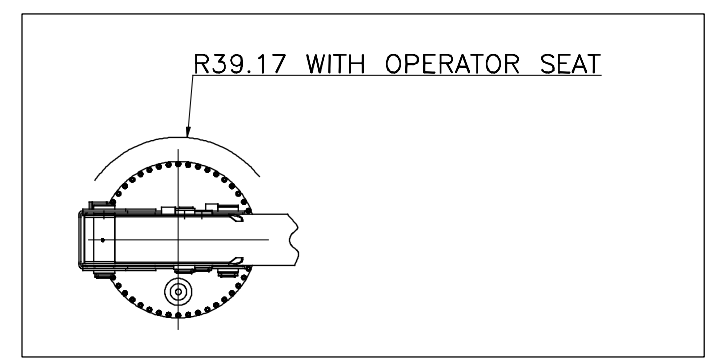
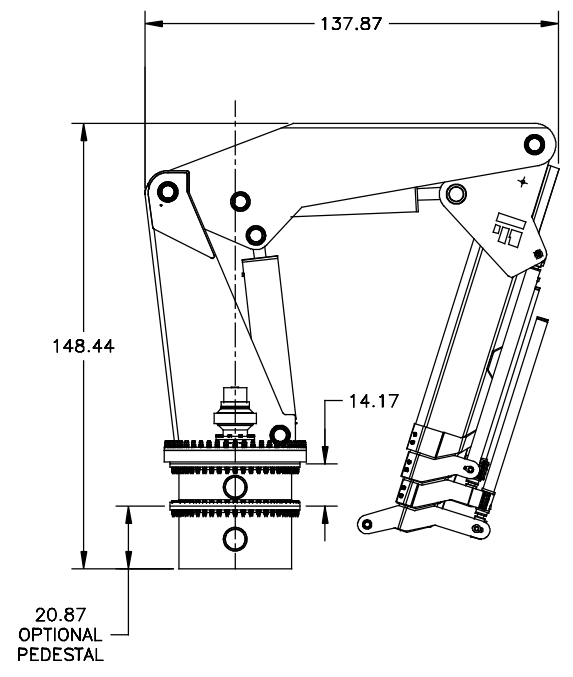
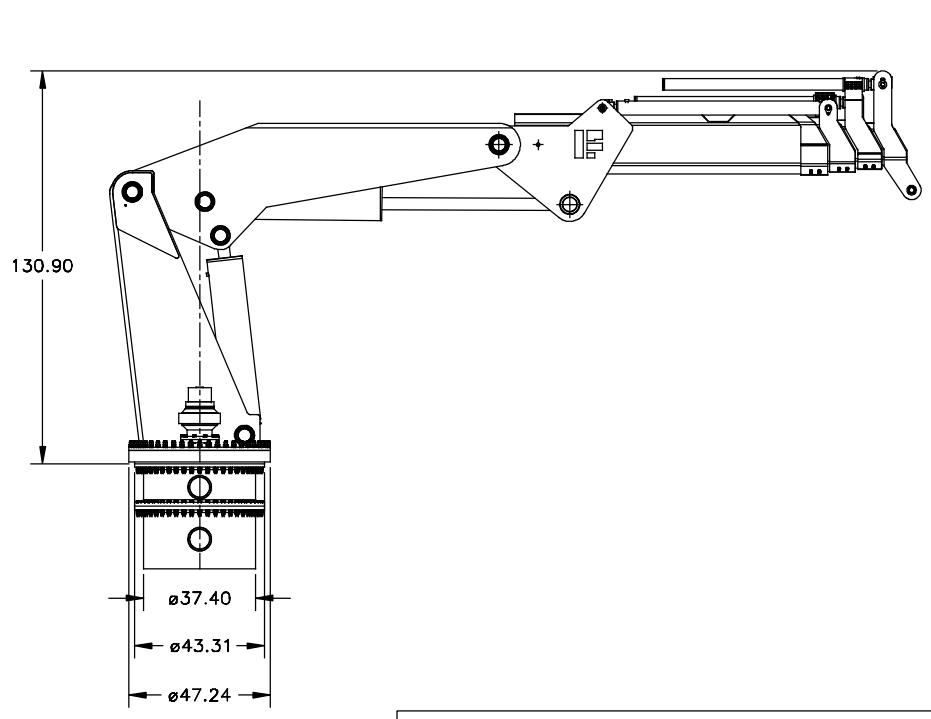
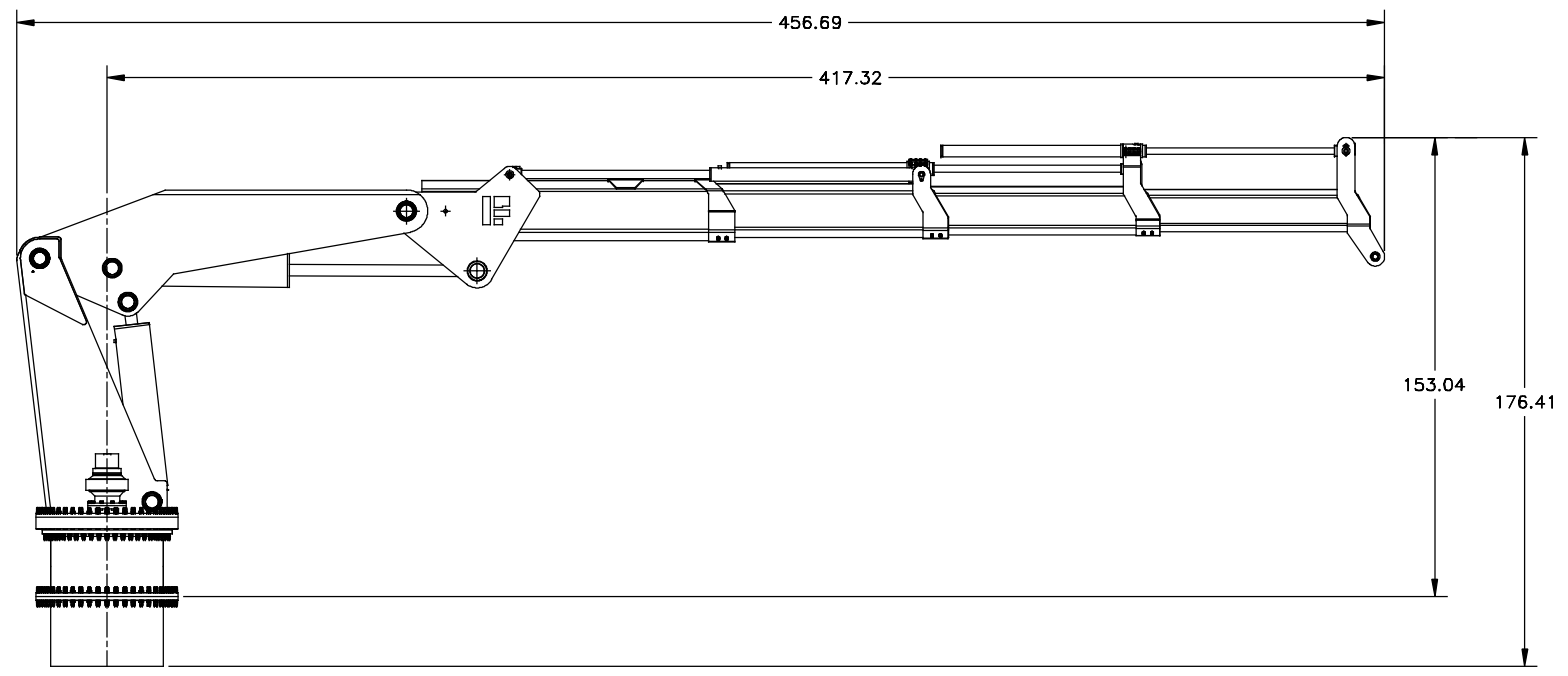
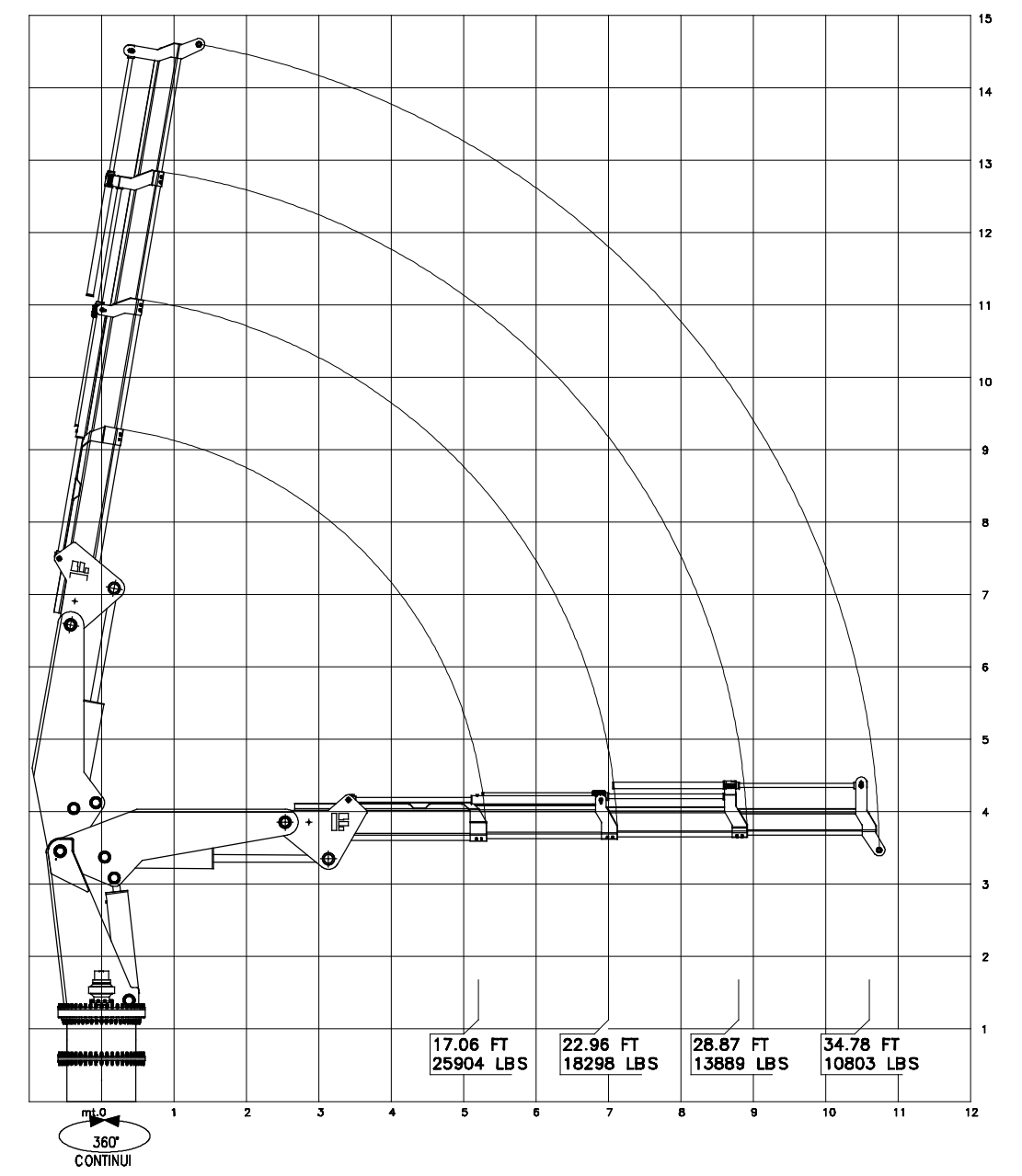


REVISION HISTORY				
ZONE	REV	DESCRIPTION	DATE	APP'D



CRANE VIEWS DRAWN AT 1:32 SCALE



UNLESS OTHERWISE SPECIFIED:
 DIMENSIONS ARE IN INCHES
 TOLERANCES:
 FRACTIONAL ±
 ANGULAR BACH ±
 TWO PLACE DECIMAL ±
 THREE PLACE DECIMAL ±
 FINISH:
 INTERPRET GEOMETRIC TOLERANCING PER:
 THIRD ANGLE PROJECTION

DRAWN	RJS	DATE	3/9/12
CHECKED			
ENG APPR.			
MFG APPR.			
Q.A.			
COMMENTS:			

DMW MARINE GROUP, LLC
 CHESTER SPRING, PA

TITLE:
**MODEL 60.000 EX3
 MARINE CRANE**

SCALE: 1:48 WEIGHT: SHEET 1 OF 1

REV -

PROPRIETARY AND CONFIDENTIAL
 THE INFORMATION CONTAINED IN THIS
 DRAWING IS THE SOLE PROPERTY OF
 DMW MARINE GROUP, LLC. ANY
 REPRODUCTION IN PART OR AS A WHOLE
 WITHOUT THE WRITTEN PERMISSION OF
 DMW MARINE GROUP, LLC IS PROHIBITED.

DMW60.000 EX3 REV 1