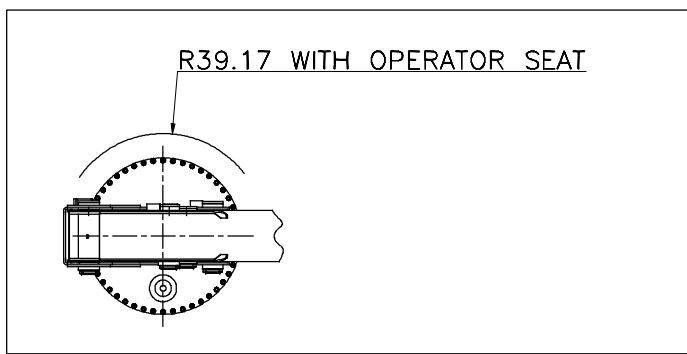
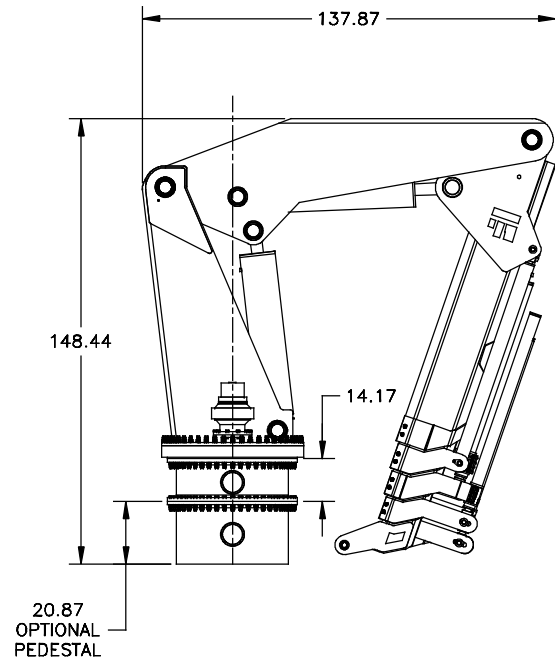
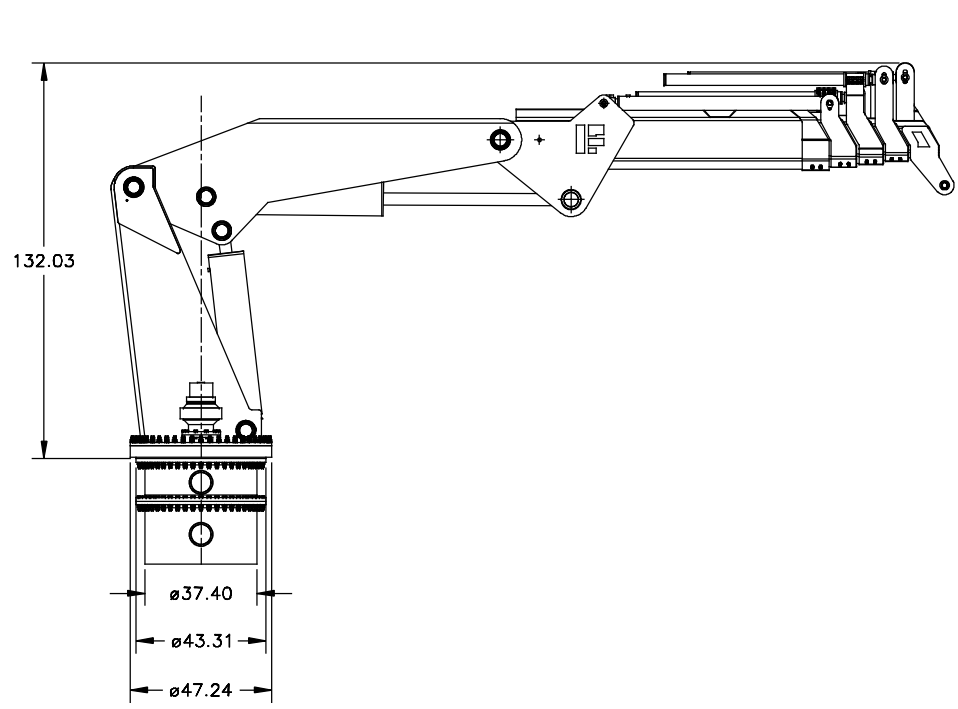
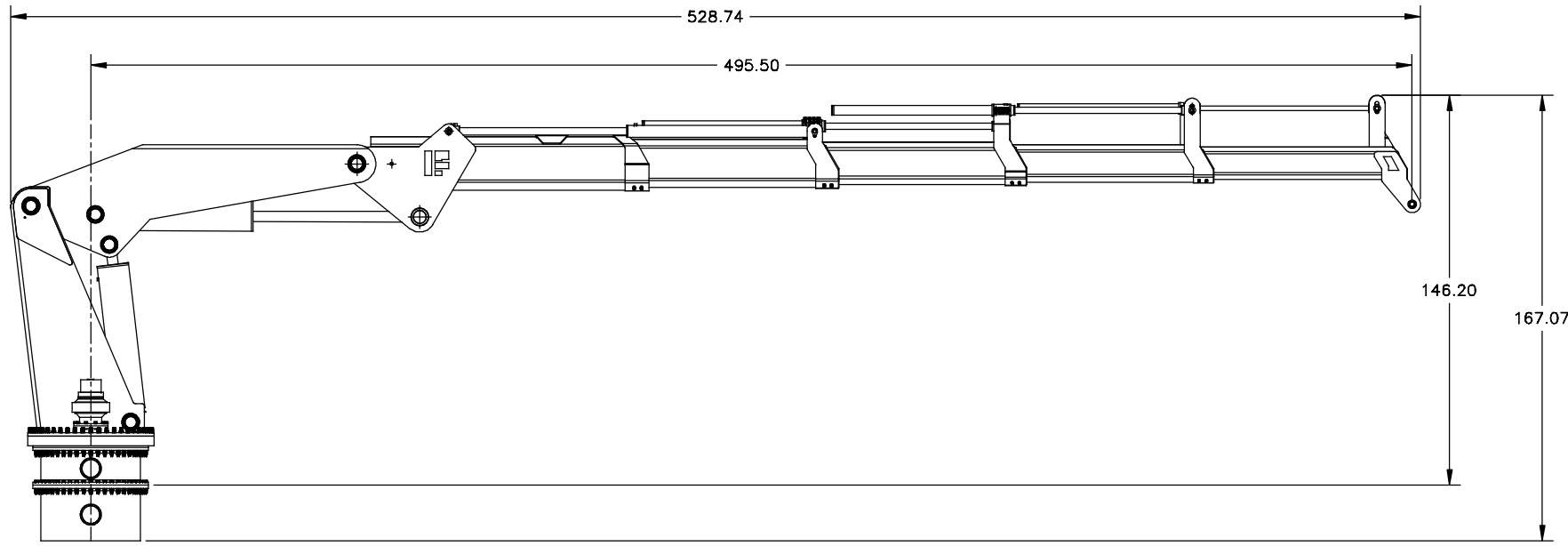
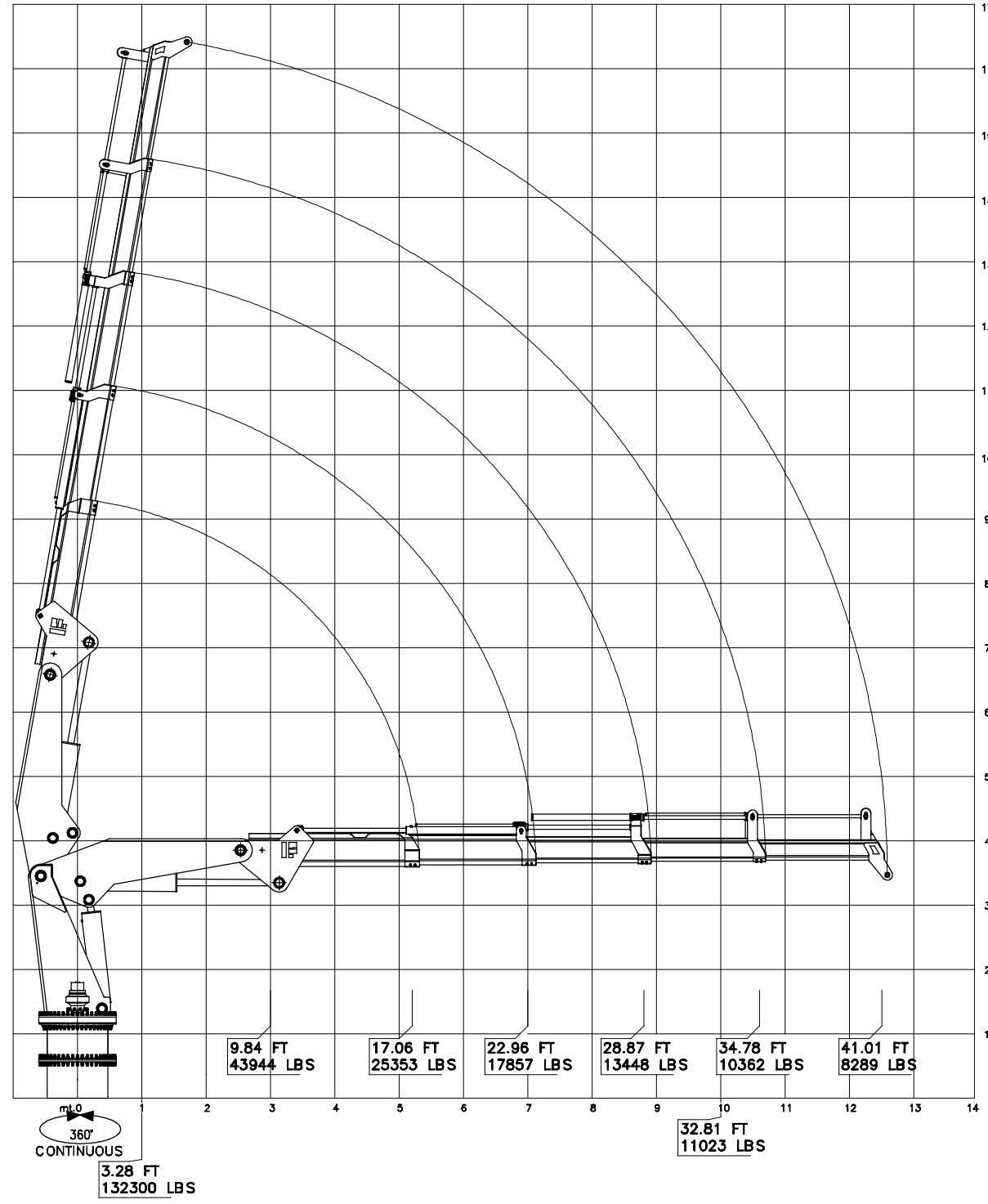


REVISION HISTORY				
ZONE	REV	DESCRIPTION	DATE	APP'D



CRANE VIEWS DRAWN AT 1:32 SCALE



UNLESS OTHERWISE SPECIFIED:		NAME	DATE
DRAWN	RJS		3/9/12
CHECKED			
ENG APPR.			
MFG APPR.			
Q.A.			
COMMENTS:			

PROPRIETARY AND CONFIDENTIAL  
 THE INFORMATION CONTAINED IN THIS  
 DRAWING IS THE SOLE PROPERTY OF  
 DMW MARINE GROUP, LLC. ANY  
 REPRODUCTION IN PART OR AS A WHOLE  
 WITHOUT THE WRITTEN PERMISSION OF  
 DMW MARINE GROUP, LLC IS PROHIBITED.

INTERPRET GEOMETRIC  
 TOLERANCING PER:  
 FINISH:  
 THIRD ANGLE PROJECTION

DMW MARINE GROUP, LLC CHESTER SPRINGS, PA	
TITLE: MODEL 60.000 EX4 MARINE CRANE	
SIZE: DWG. NO. D DMW60.000 EX4	REV -
SCALE: 1:48 WEIGHT:	SHEET 1 OF 1

DMW60.000 EX4 REV 1