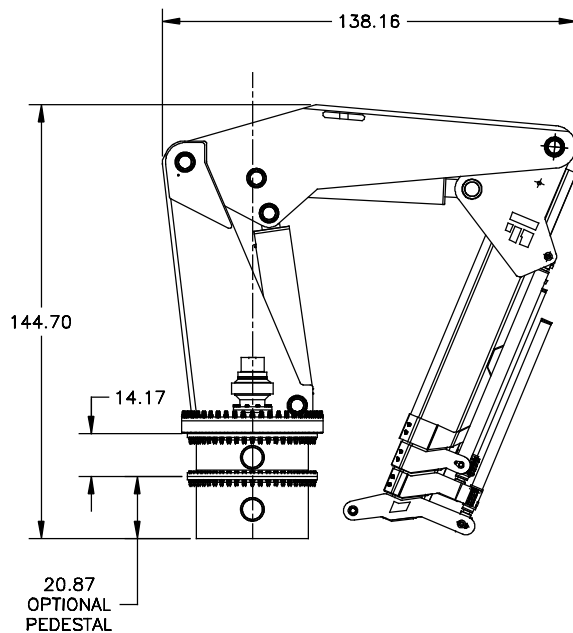
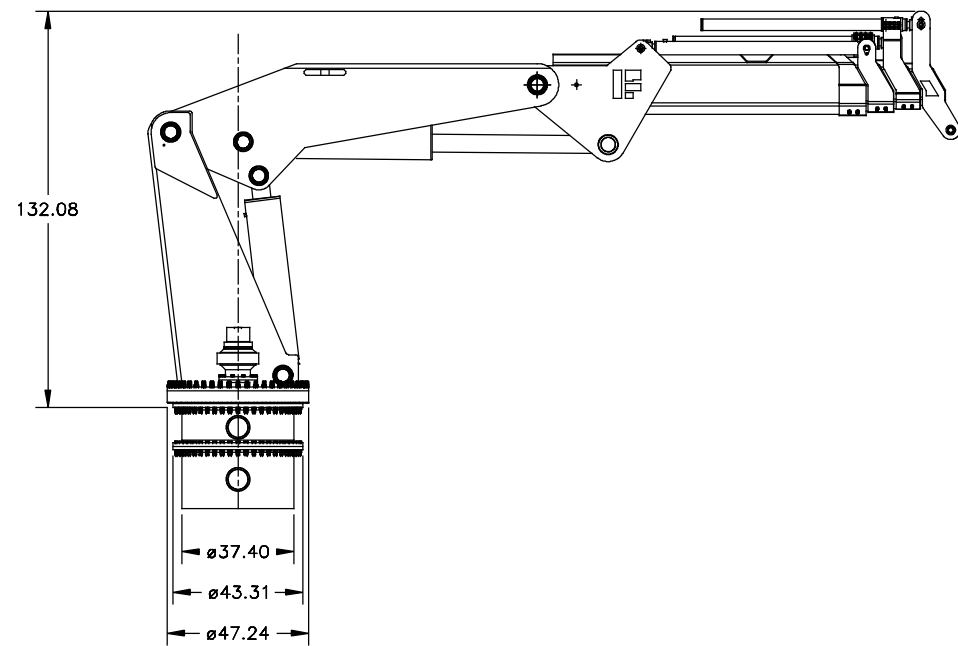
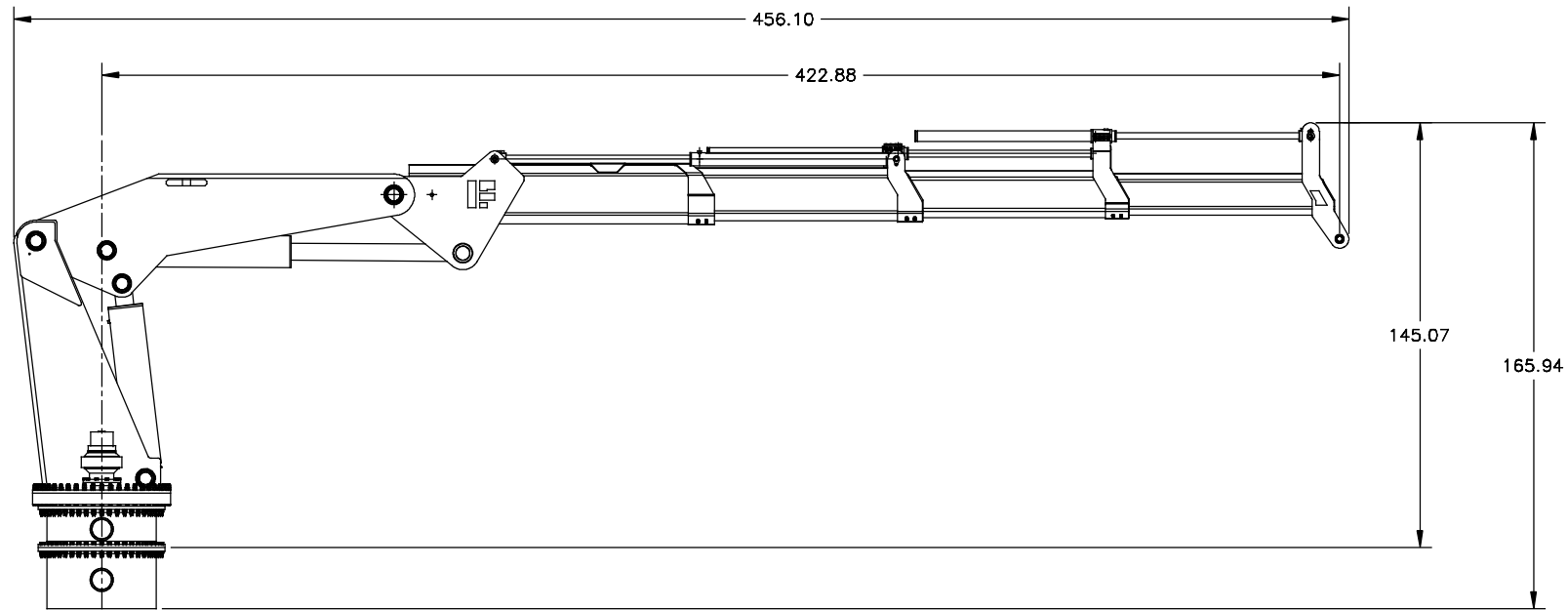
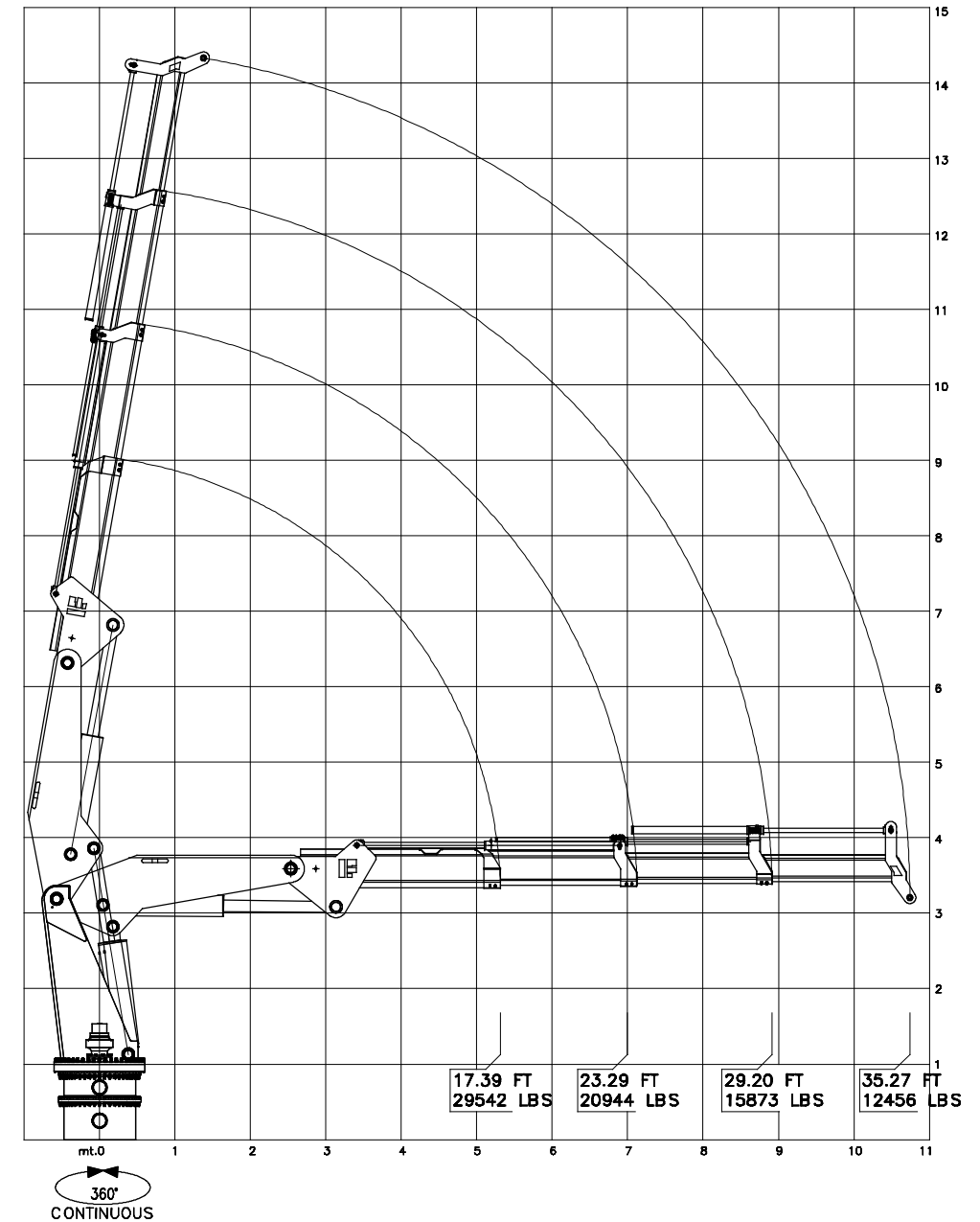
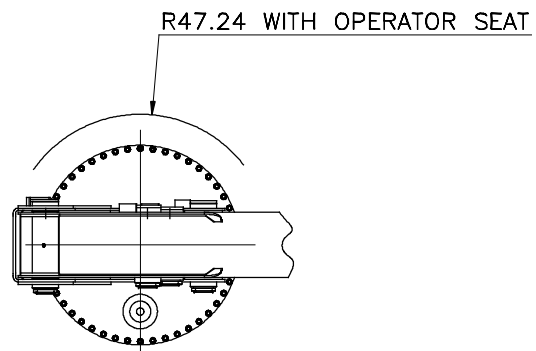


REVISION HISTORY				
ZONE	REV	DESCRIPTION	DATE	APP'D



20.87
OPTIONAL
PEDESTAL



UNLESS OTHERWISE SPECIFIED:		NAME	DATE
DIMENSIONS ARE IN INCHES	TOLERANCES:	DRWN	RJS
FRACTIONAL ±	ANGULAR MATCH ±	CHECKED	3/9/12
TWO PLACE DECIMAL ±	BEND ±	ENG APPR.	
THREE PLACE DECIMAL ±		MFG APPR.	
		Q.A.	
		COMMENTS:	

DMW MARINE GROUP, LLC CHESTER SPRINGS, PA	
TITLE: MODEL 75.000 EX3 MARINE CRANE	
SIZE: DWG. NO. D DMW75.000 EX3	REV -
SCALE: 1:48	WEIGHT: SHEET 1 OF 1

PROPRIETARY AND CONFIDENTIAL
THE INFORMATION CONTAINED IN THIS
DRAWING IS THE SOLE PROPERTY OF
DMW MARINE GROUP, LLC. ANY
REPRODUCTION IN PART OR AS A WHOLE
WITHOUT THE WRITTEN PERMISSION OF
DMW MARINE GROUP, LLC IS PROHIBITED.

INTERPRET GEOMETRIC
TOLERANCING PER:
FINISH:
THIRD ANGLE PROJECTION



D DMW75.000 EX3 REV 1