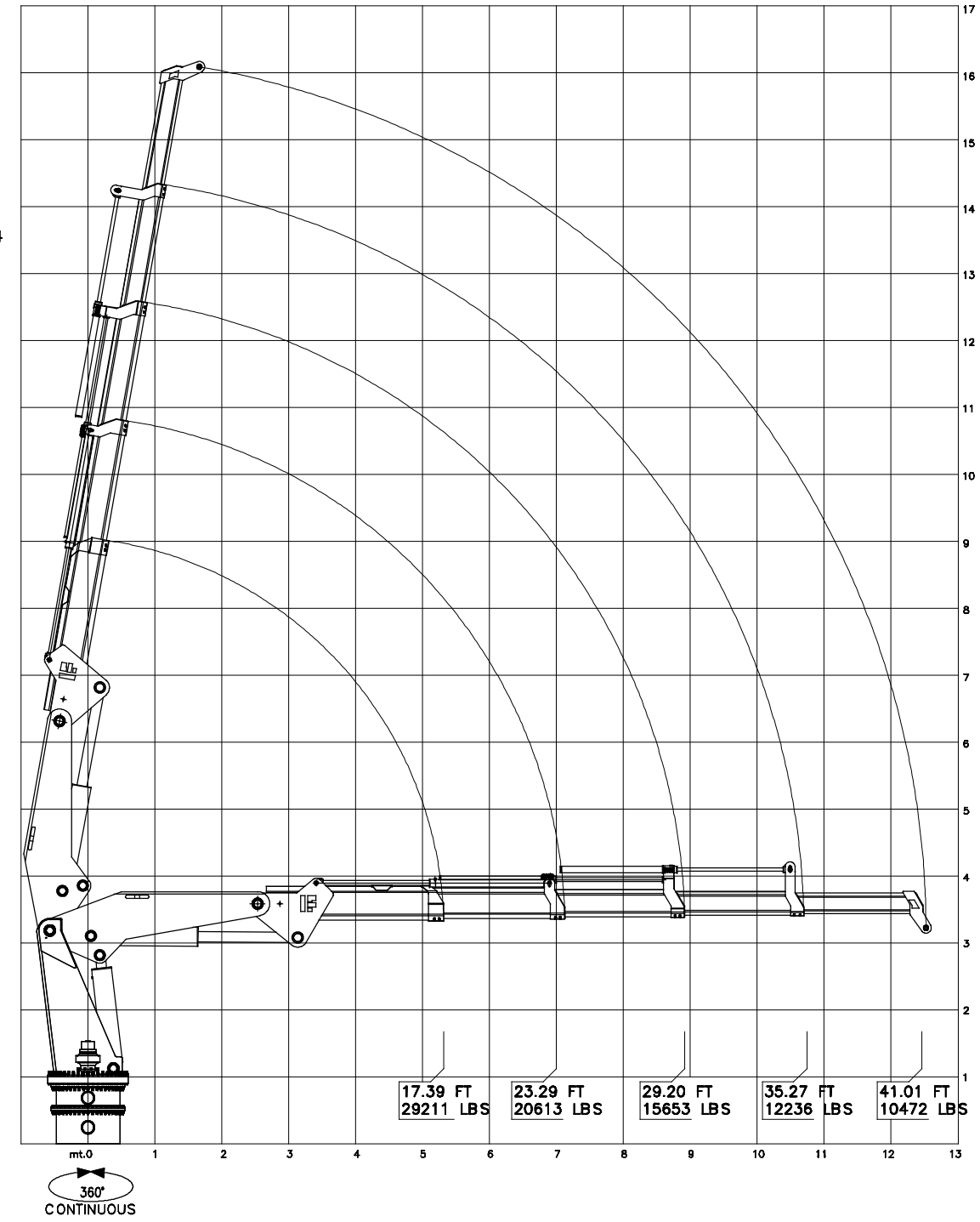
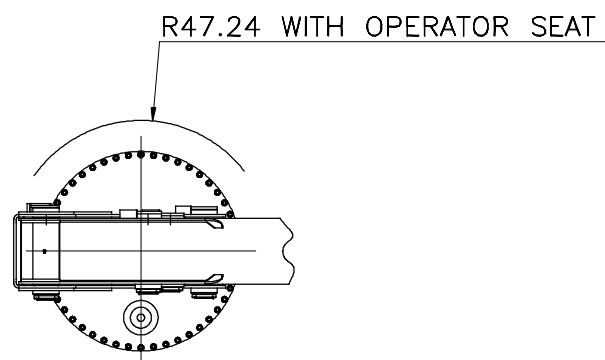
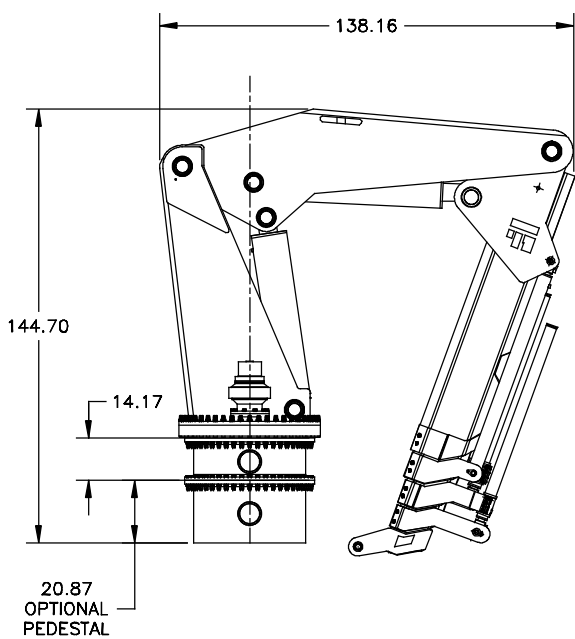
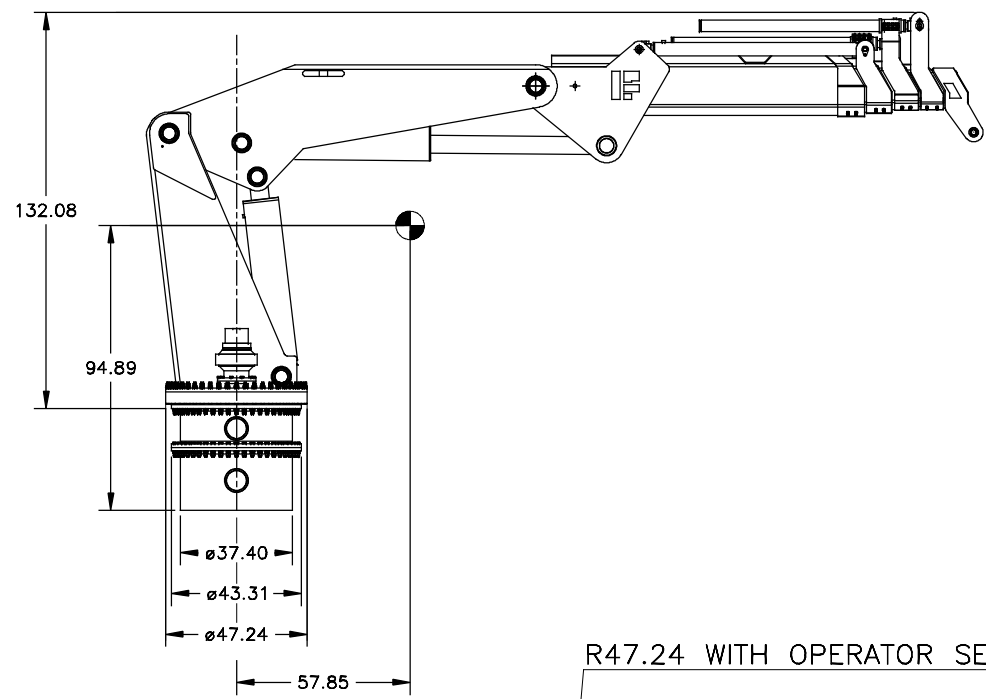
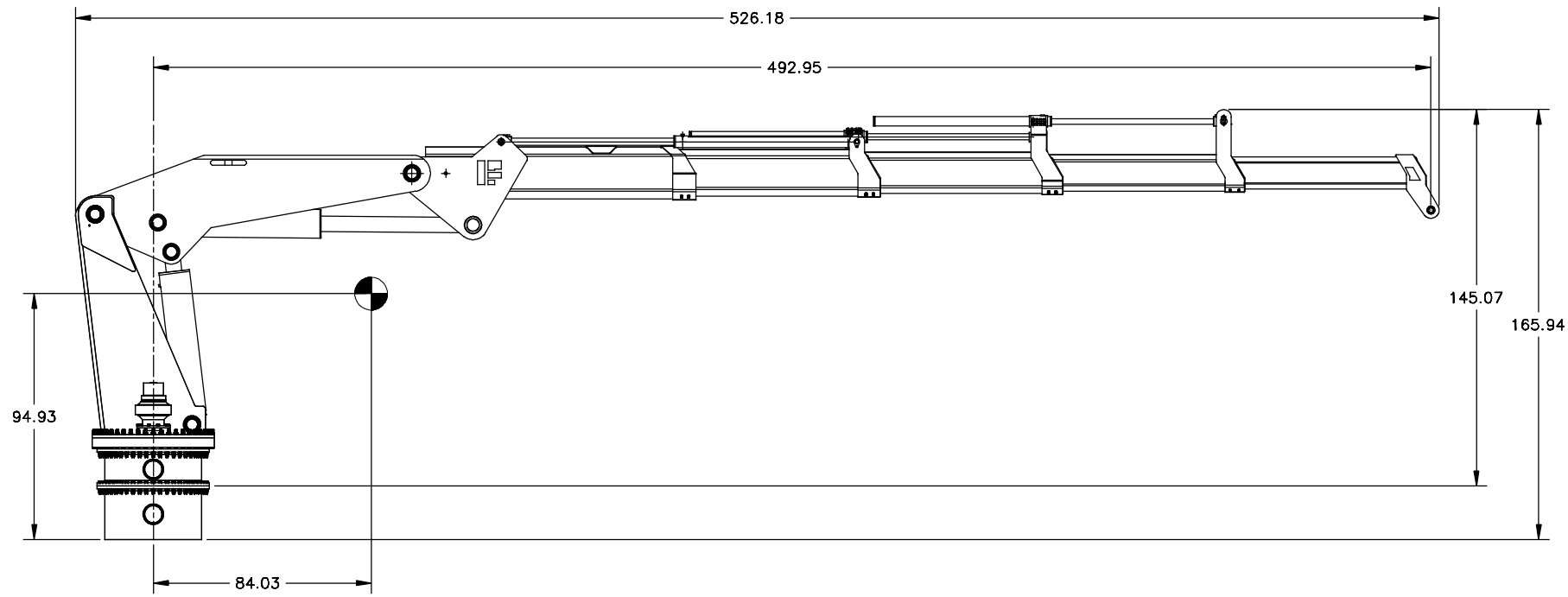


REVISION HISTORY				
ZONE	REV	DESCRIPTION	DATE	APP'D



UNLESS OTHERWISE SPECIFIED:
 DIMENSIONS ARE IN INCHES
 TOLERANCES:
 FRACTIONAL ±
 ANGULAR BACH ±
 BEND ±
 TWO PLACE DECIMAL ±
 THREE PLACE DECIMAL ±
 FINISH:
 INTERPRET GEOMETRIC TOLERANCING PER:
 THIRD ANGLE PROJECTION

DRAWN	RJS	NAME	RJS	DATE	3/9/12
CHECKED		ENG APPR.			
MFG APPR.		Q.A.			
COMMENTS:					

DMW MARINE GROUP, LLC
 CHESTER SPRING, PA

TITLE:
MODEL 75.000 EX4 MARINE CRANE

SIZE: DWG. NO. **D DMW75.000 EX4** REV -
 SCALE: 1:48 WEIGHT: SHEET 1 OF 1

REV 1
 DMW75.000 EX4