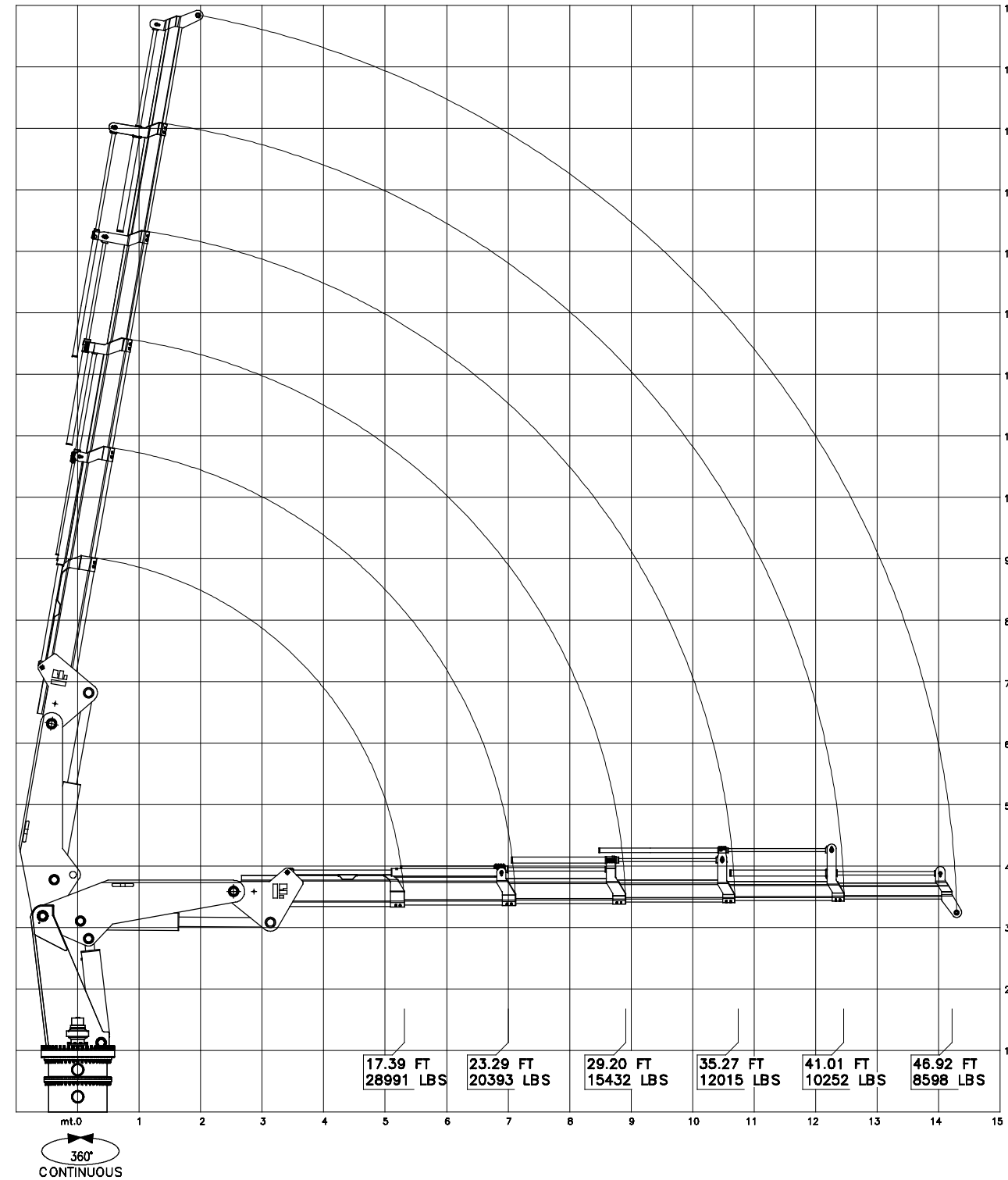
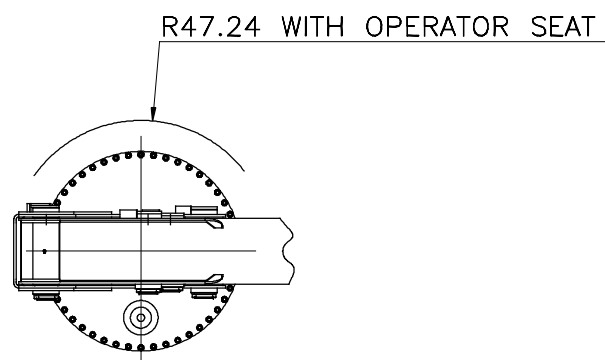
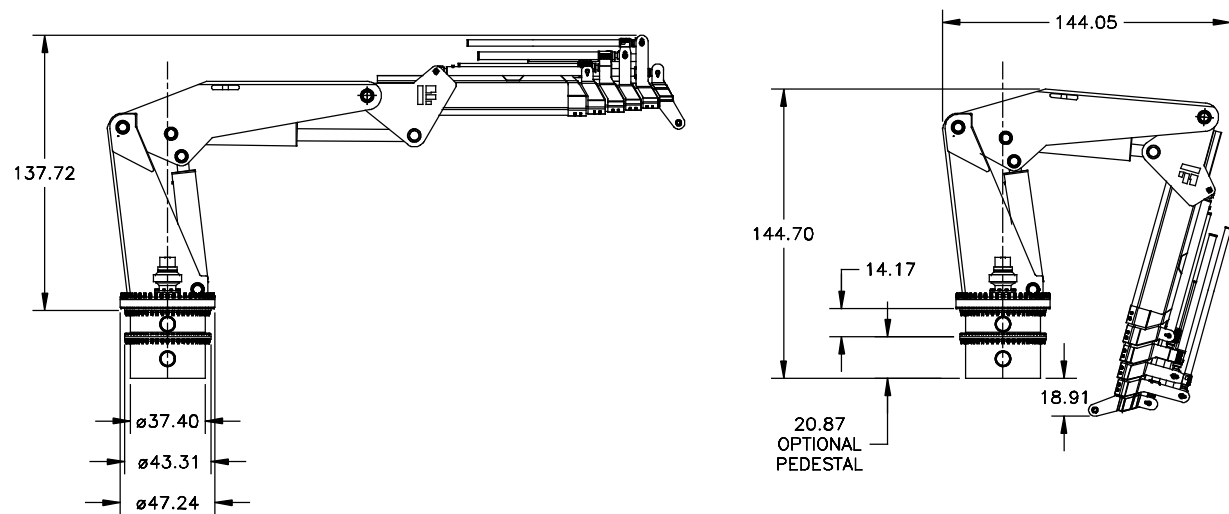
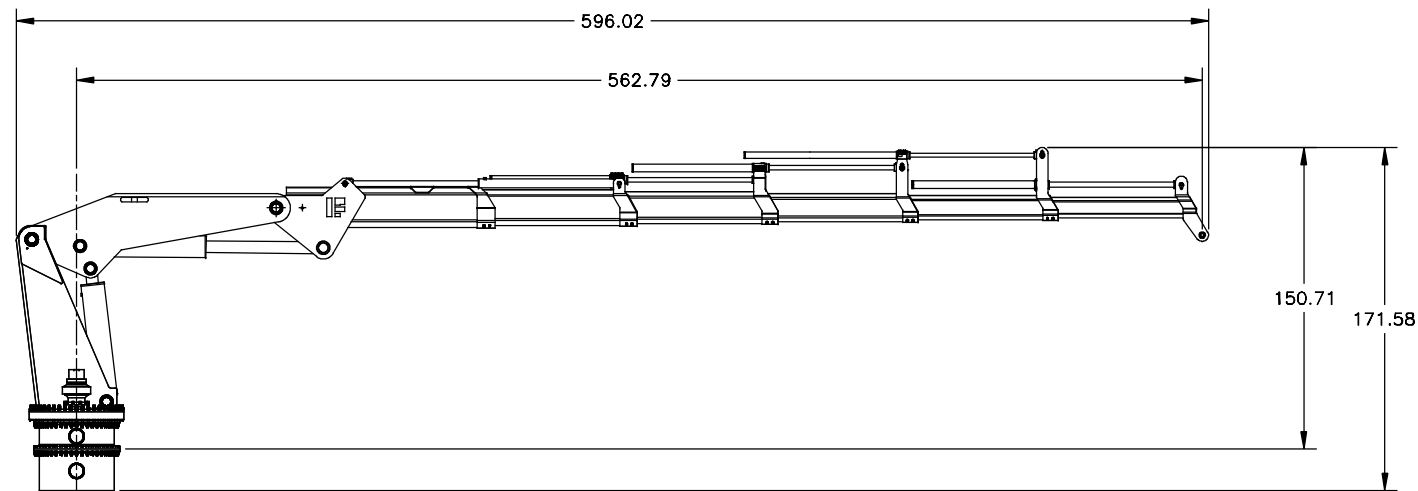


REVISION HISTORY				
ZONE	REV	DESCRIPTION	DATE	APP'D



UNLESS OTHERWISE SPECIFIED:
 DIMENSIONS ARE IN INCHES
 TOLERANCES:
 FRACTIONAL ±
 ANGULAR BACH ±
 BEND ±
 TWO PLACE DECIMAL ±
 THREE PLACE DECIMAL ±

INTERPRET GEOMETRIC TOLERANCING PER:
 FINISH:
 THIRD ANGLE PROJECTION

DRAWN	RJS	NAME	RJS	DATE	3/9/12
CHECKED		ENG APPR.			
MFG APPR.		Q.A.			
COMMENTS:					

DMW MARINE GROUP, LLC
 CHESTER SPRINGS, PA

TITLE:
**MODEL 75.000 EX5
 MARINE CRANE**

SIZE: DWG. NO. **D DMW75.000 EX5** REV **-**

SCALE: 1:48 WEIGHT: SHEET 1 OF 1

D DMW75.000 EX5 REV 1