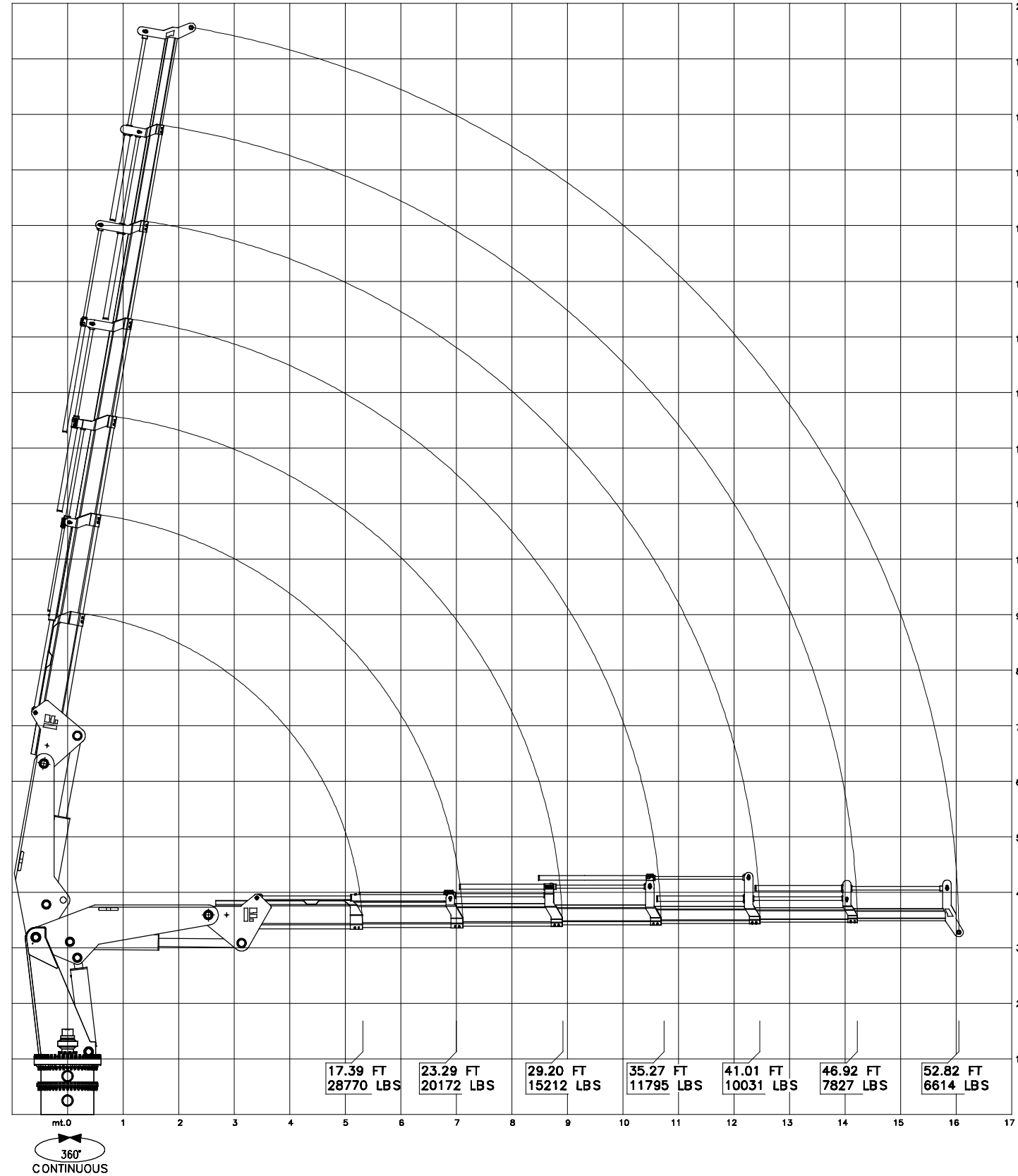
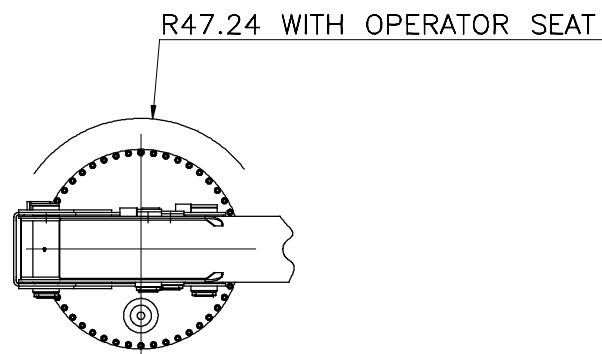
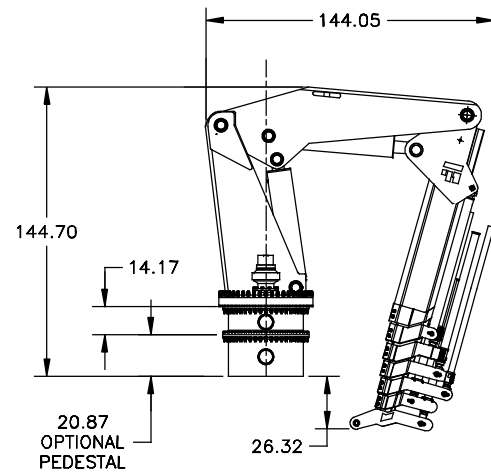
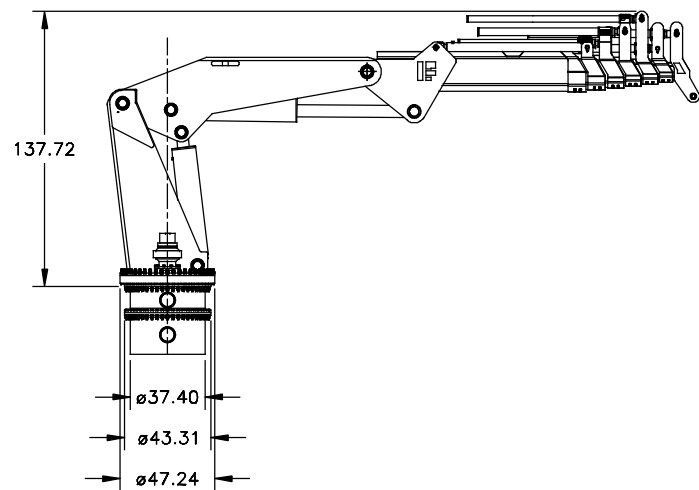
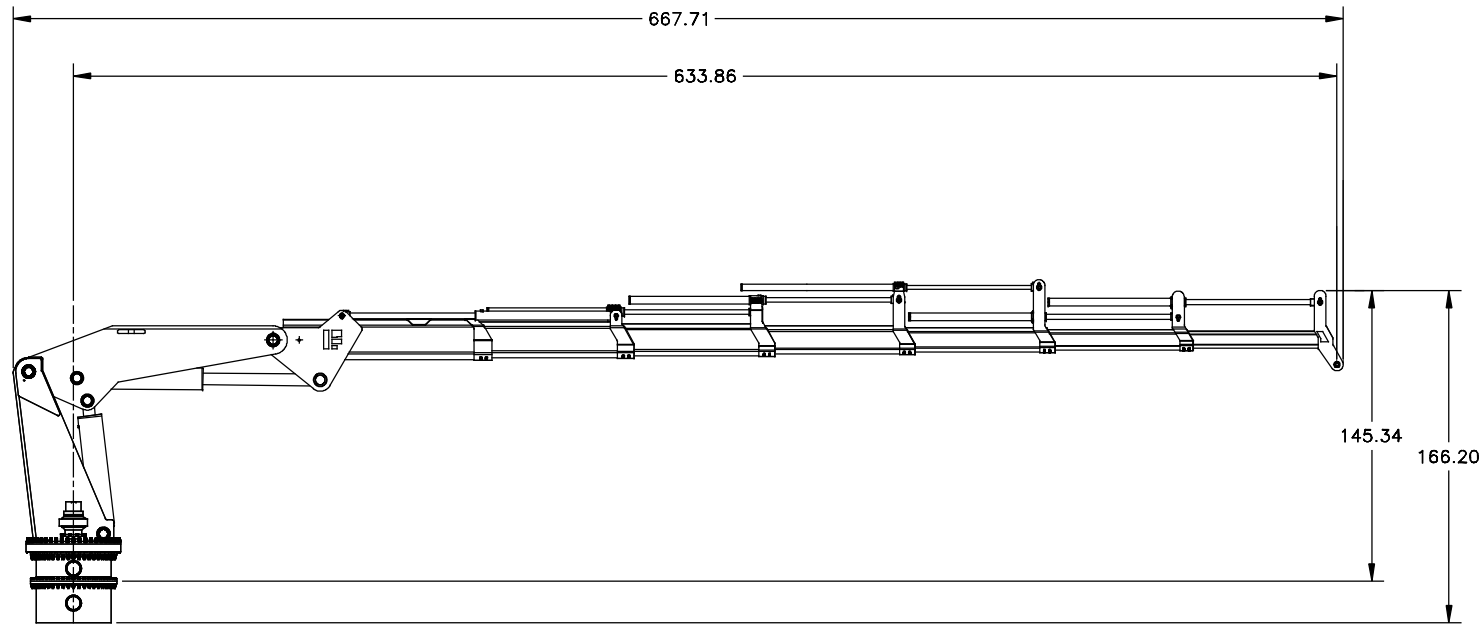


REVISION HISTORY				
ZONE	REV	DESCRIPTION	DATE	APP'D



360°  
CONTINUOUS

UNLESS OTHERWISE SPECIFIED:  
DIMENSIONS ARE IN INCHES  
TOLERANCES:  
FRACTIONAL ±  
ANGULAR MATCH ± BEND ±  
TWO PLACE DECIMAL ±  
THREE PLACE DECIMAL ±

INTERPRET GEOMETRIC TOLERANCING PER:  
FINISH:  
THIRD ANGLE PROJECTION

NAME	DATE
RJS	3/9/12

DMW MARINE GROUP, LLC  
CHESTER SPRINGS, PA

TITLE:  
MODEL 75.000 EX6  
MARINE CRANE

SIZE: DWG. NO. REV  
D DMW75.000 EX6 -

SCALE: 1:48 WEIGHT: SHEET 1 OF 1

PROPRIETARY AND CONFIDENTIAL  
THE INFORMATION CONTAINED IN THIS  
DRAWING IS THE SOLE PROPERTY OF  
DMW MARINE GROUP, LLC. ANY  
REPRODUCTION IN PART OR AS A WHOLE  
WITHOUT THE WRITTEN PERMISSION OF  
DMW MARINE GROUP, LLC IS PROHIBITED.

DMW75.000 EX6 REV 1