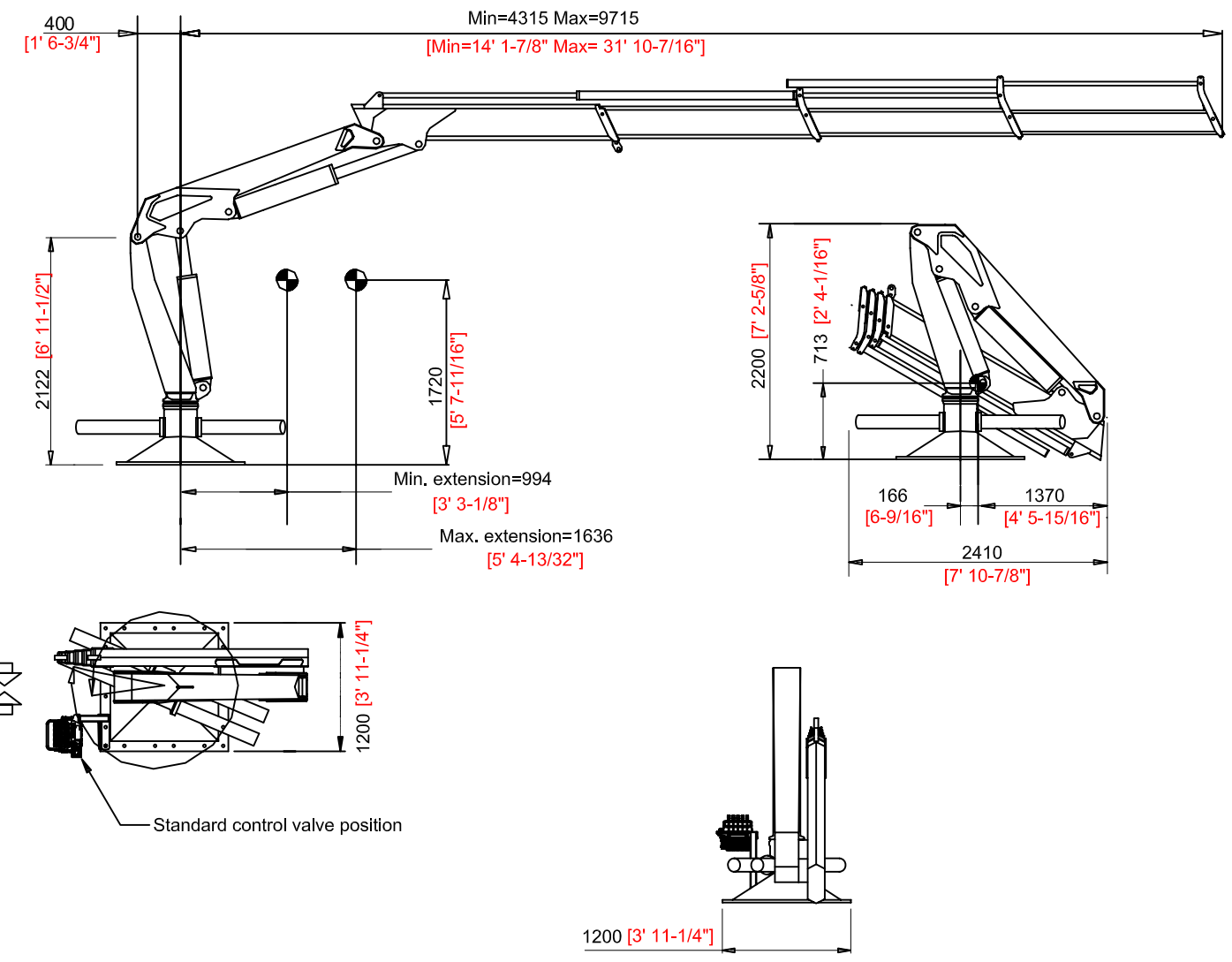
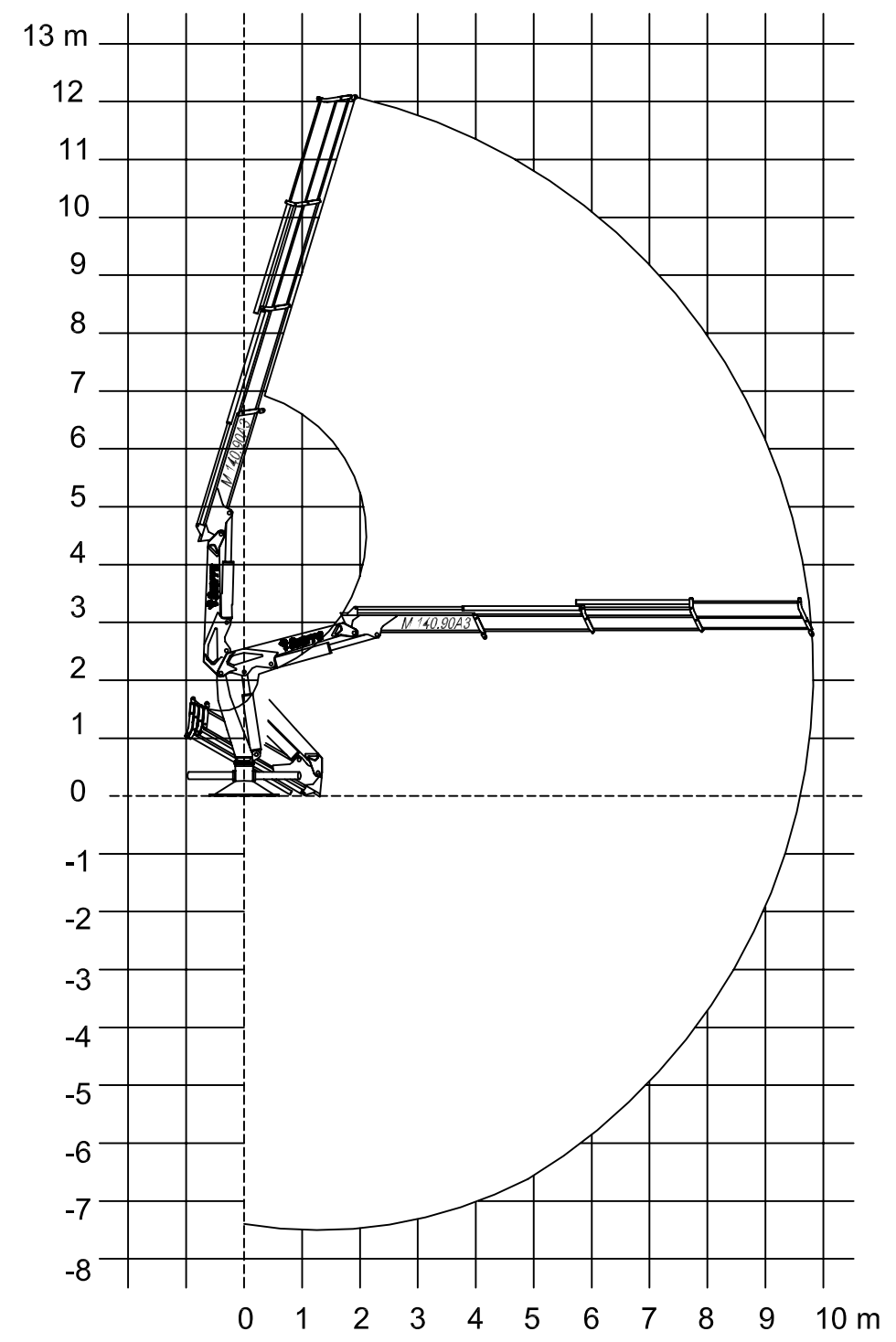


REVISION HISTORY				
ZONE	REV	DESCRIPTION	DATE	APP'D

Retracted and Parked Views (1:30 Scale)



Positions Diagram (1:60 Scale)



**Technical Data**

Gross Lifting Moment	305.6 kNm [225398.65 Lbf FT]
Maximum Lifting Dynamic Moment	418.2 kNm [308448.02 Lbf FT]
Max Hydraulic Horizontal Outreach	10.2 m [33' 5-9/16"]
Slewing Angle	395°
Max Rotational Torque	55 kNm [40565.85 Lbf FT]
Recommended Volume of Oil in Tank	180 L [47.55 Gallons]
Max Working Oil Pressure	240 bar [3481 PSI]
Recommended Pump Delivery	70 L/min [18.49 Gallons/Min]
Electrical Power Requirement	29.4 kW / 40 CV
Weight of Standard Crane	3810 kg [8400 LBF]

**Mounting Base Installation**

Quantity of Bolts Required	20
Thread Pitch and Class	M24 x 120 Class 10.9

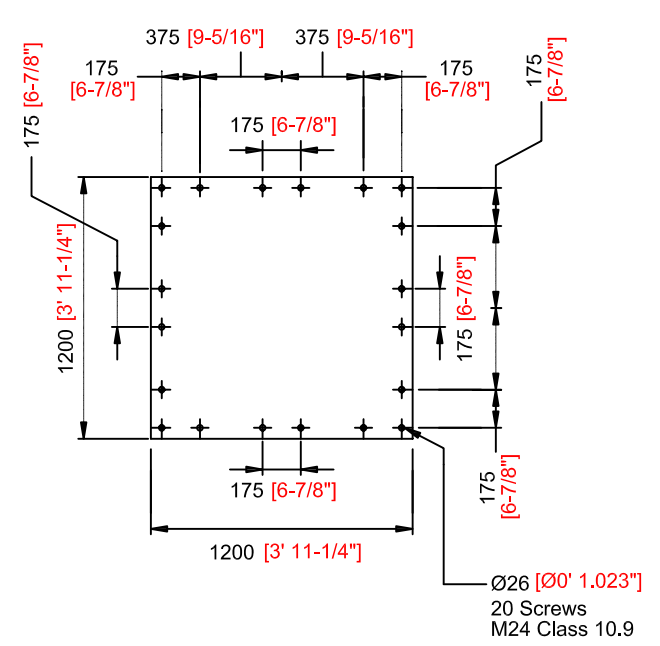
**Standard Features**

- Built according to DIN 15018-H1-B3 standards.
- Crane structure is sandblasted and metallized.
- Double coat of primer and two layers of paint.
- Special cylinders with Ni-Cr piston rods for marine environments.
- Female fittings in stainless steel, and male fittings in carbon steel.
- Stainless steel hydraulic installation pipes.
- Hoses with rubber "Type A" double coat.
- Wheel-rack slewing system, via cylinders, with bronze bushings.
- Safety valves on the cylinders.
- Hydraulic load limiter.
- Emergency stop button.

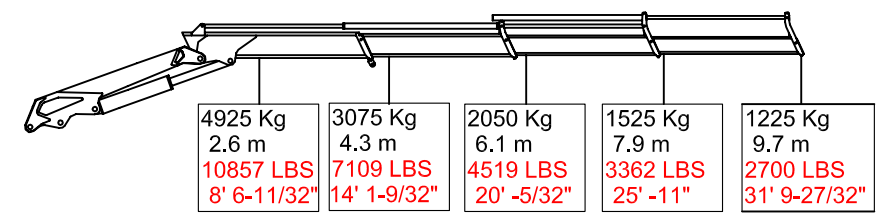
**Optional Features**

- Hydraulic winch
- Manual extensions
- Remote control
- Auxiliary hydraulic intakes
- Cab

Mounting Base Dimensions (1:6 Scale)



Load Chart



UNLESS OTHERWISE SPECIFIED:  
 DIMENSIONS ARE IN MILLIMETERS  
 TOLERANCES:  
 FRACTIONAL ±  
 ANGULAR: MACH ± BEND ±  
 TWO PLACE DECIMAL ±  
 THREE PLACE DECIMAL ±

NAME	DATE
JSL	12/10/13
DW	--/--/13

DMW MARINE GROUP, LLC  
 CHESTER SPRING, PA

TITLE:  
 MODEL M140.90A3  
 MARINE CRANE

SIZE/DWG. NO.  
 D DMG M140.90A3

SCALE=1:40 WEIGHT: 2070 Kg SHEET 1 OF 1

PROPRIETARY AND CONFIDENTIAL  
 THE INFORMATION CONTAINED IN THIS DRAWING IS THE SOLE PROPERTY OF DMW MARINE GROUP, LLC. ANY REPRODUCTION IN PART OR AS A WHOLE WITHOUT THE WRITTEN PERMISSION OF DMW MARINE GROUP, LLC IS PROHIBITED.

INTERPRET GEOMETRIC TOLERANCING PER:  
 FINISH  
 FIRST ANGLE PROJECTION