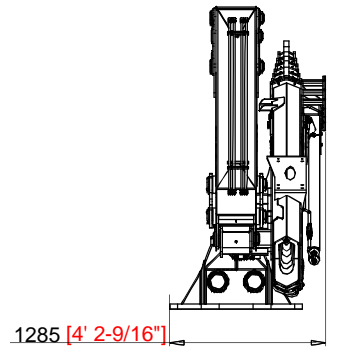
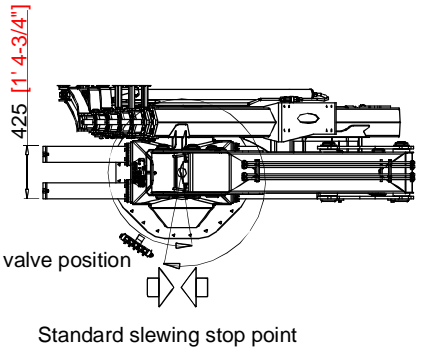
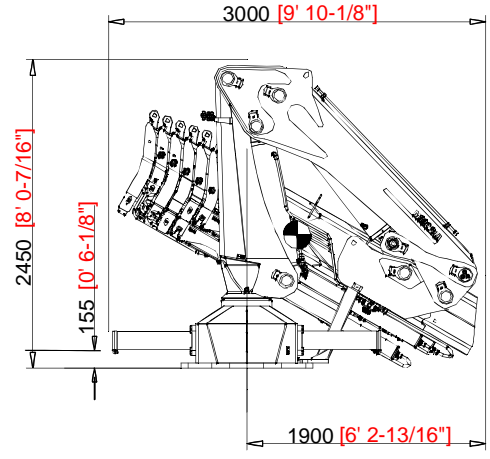
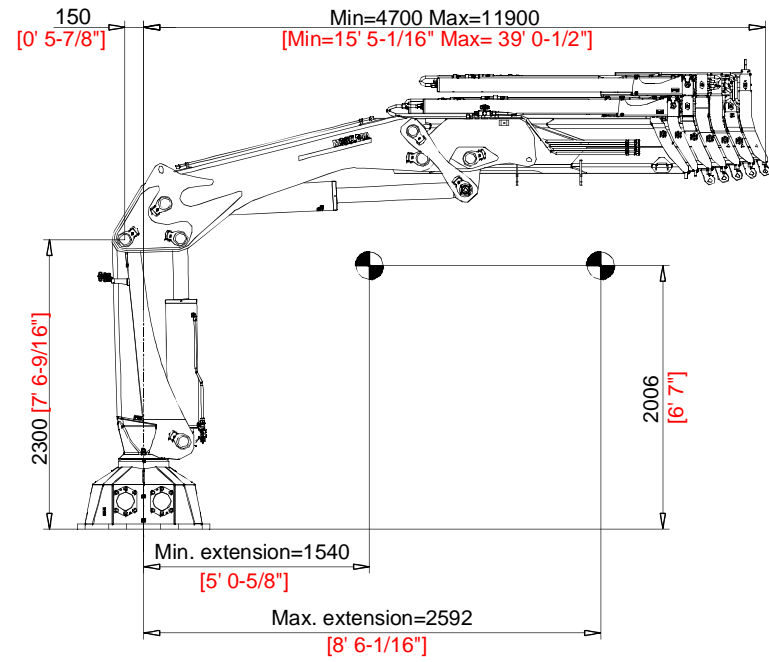
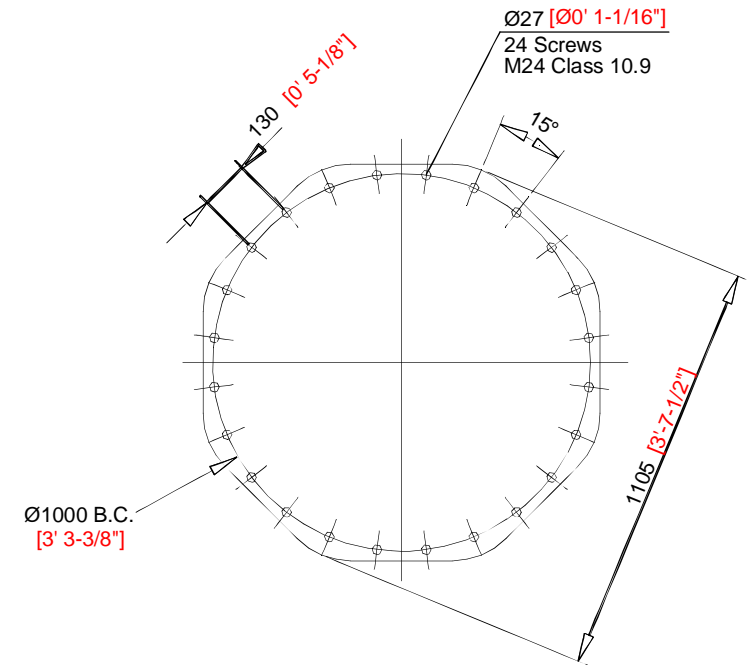


REVISION HISTORY				
ZONE	REV	DESCRIPTION	DATE	APP'D

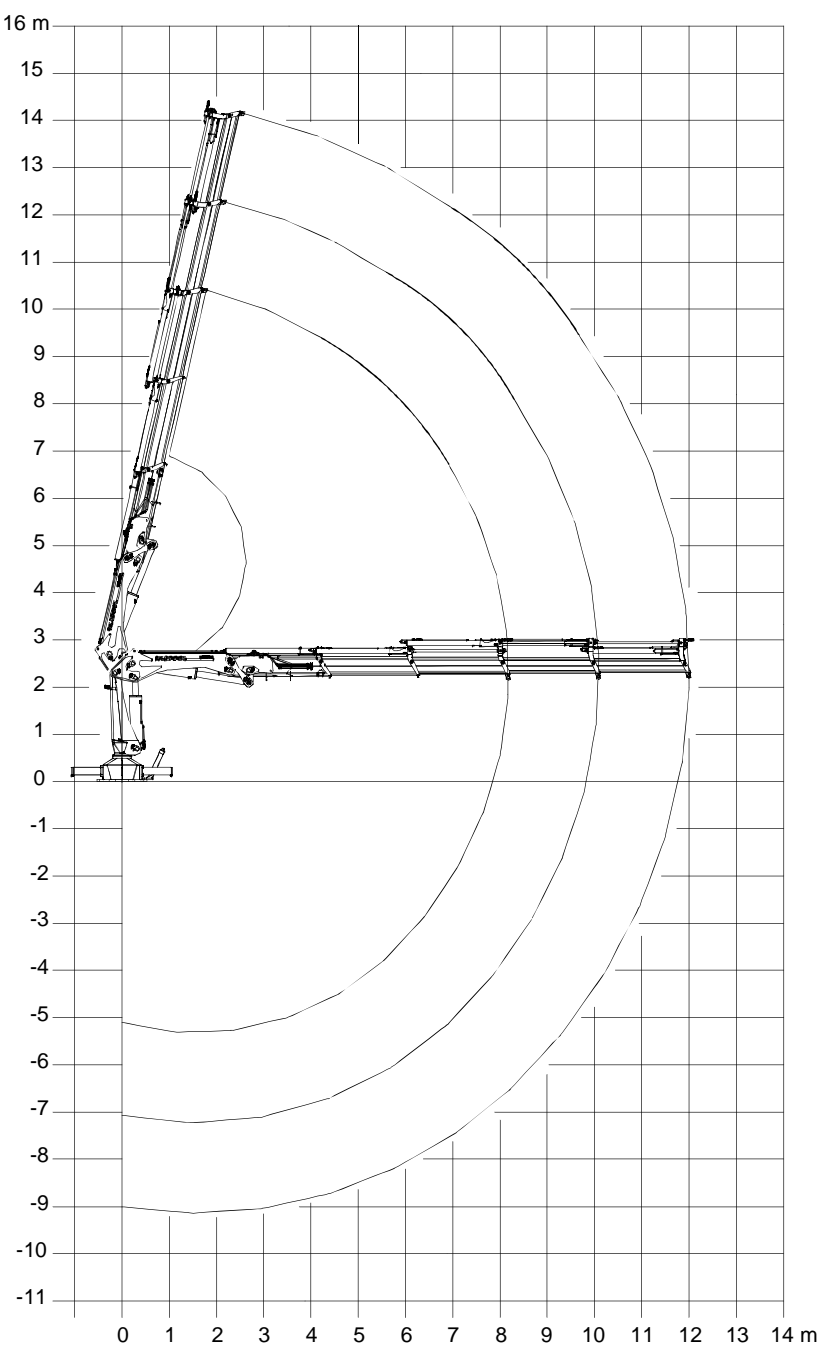
Retracted and Parked Views (1:30 Scale)



Mounting Base Dimensions (1:10 Scale)



Positions Diagram (1:80 Scale)



Technical Data

Gross Lifting Moment	296.8 kNm [218908.11 Lbf FT]
Maximum Lifting Dynamic Moment	415.1 kNm [306161.58 Lbf FT]
Max Hydraulic Horizontal Outreach	12.1 m [39' 8-3/8"]
Slewing Angle	395°
Max Rotational Torque	55 kNm [40565.85 Lbf FT]
Recommended Volume of Oil in Tank	180 L [47.55 Gallons]
Max Working Oil Pressure	240 bar [3481 PSI]
Recommended Pump Delivery	70 L/min [18.49 Gallons/Min]
Electrical Power Requirement	29.4 kW / 40 CV
Weight of Standard Crane	3965 kg [8741 LBF]

Mounting Base Installation

Quantity of Bolts Required	24
Thread Pitch and Class	M24 x 120 Class 10.9

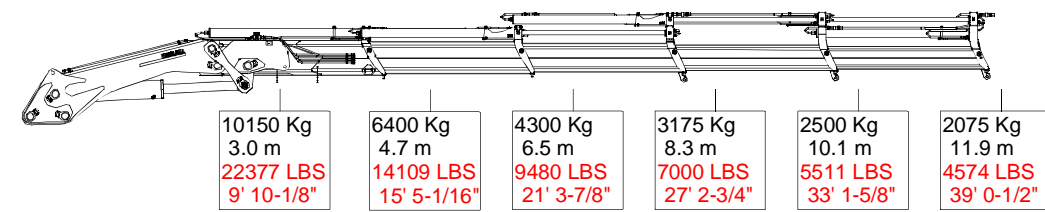
Standard Features

- Built according to DIN 15018-H1-B3 standards.
- Crane structure is sandblasted and metallized.
- Double coat of primer and two layers of paint.
- Special cylinders with Ni-Cr piston rods for marine environments.
- Female fittings in stainless steel, and male fittings in carbon steel.
- Stainless steel hydraulic installation pipes.
- Hoses with rubber "Type A" double coat.
- Wheel-rack slewing system, via cylinders, with bronze bushings.
- Safety valves on the cylinders.
- Hydraulic load limiter.
- Emergency stop button.

Optional Features

- Hydraulic winch
- Manual extensions
- Remote control
- Auxiliary hydraulic intakes
- Cab

Load Chart



PROPRIETARY AND CONFIDENTIAL
 THE INFORMATION CONTAINED IN THIS
 DRAWING IS THE SOLE PROPERTY OF
 DMW MARINE GROUP, LLC. ANY
 REPRODUCTION IN PART OR AS A WHOLE
 WITHOUT THE WRITTEN PERMISSION OF
 DMW MARINE GROUP, LLC IS PROHIBITED.

UNLESS OTHERWISE SPECIFIED:		NAME	DATE
DIMENSIONS ARE IN MILLIMETERS	DRAWN	RJS	10/4/13
TOLERANCES:	CHECKED	DW	10/4/13
FRACTIONAL ±	ENG APPR.		
ANGULAR: MACH ±	MFG APPR.		
BEND ±			
TWO PLACE DECIMAL ±			
THREE PLACE DECIMAL ±			
FINISH:	Q.A.		
INTERPRET GEOMETRIC TOLERANCING PER:	COMMENTS:		
FIRST ANGLE PROJECTION			

DMW MARINE GROUP, LLC CRESTER SPRING, PA	
TITLE: MODEL M330.24A4 MARINE CRANE	
SIZE/DWG. NO. D DMG M330.24A4	REV —
SCALE=1:40 WEIGHT: 3965 Kg SHEET 1 OF 1	

DMG M330.24A4