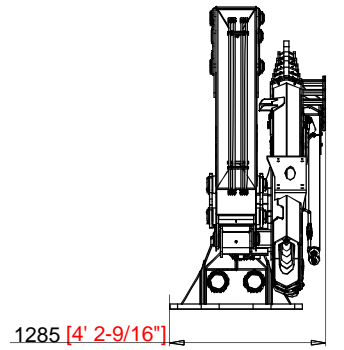
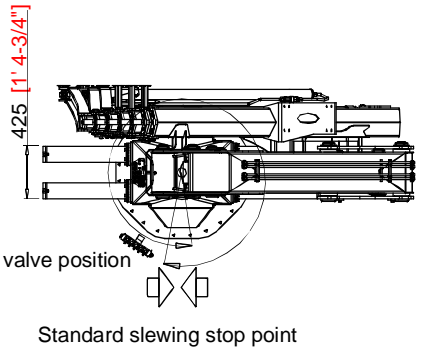
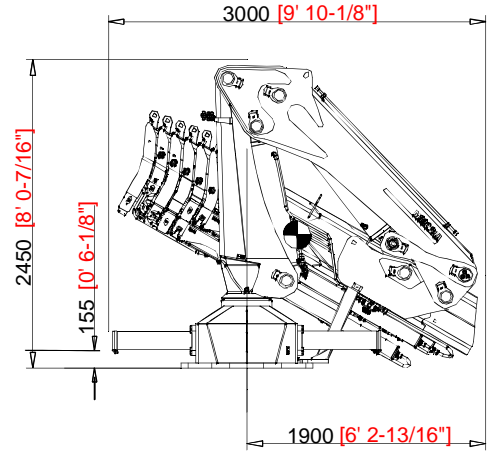
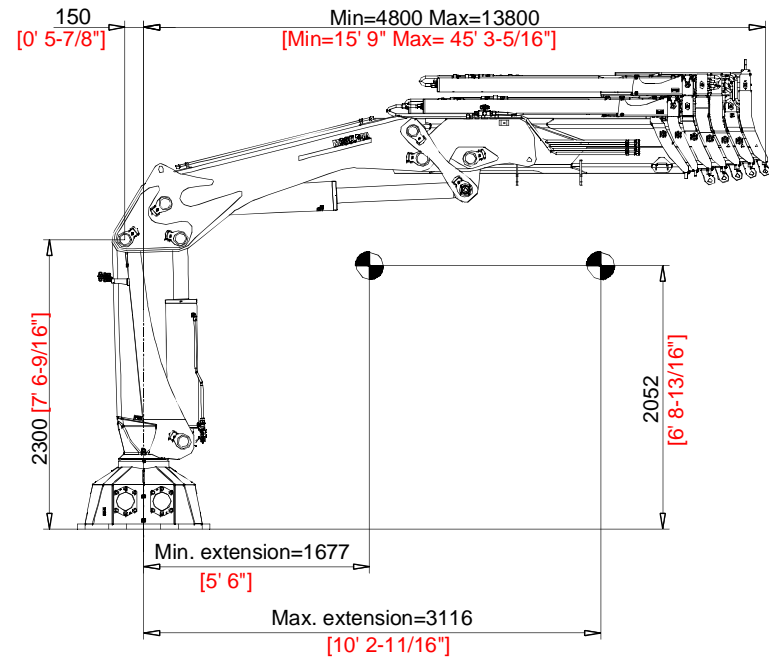
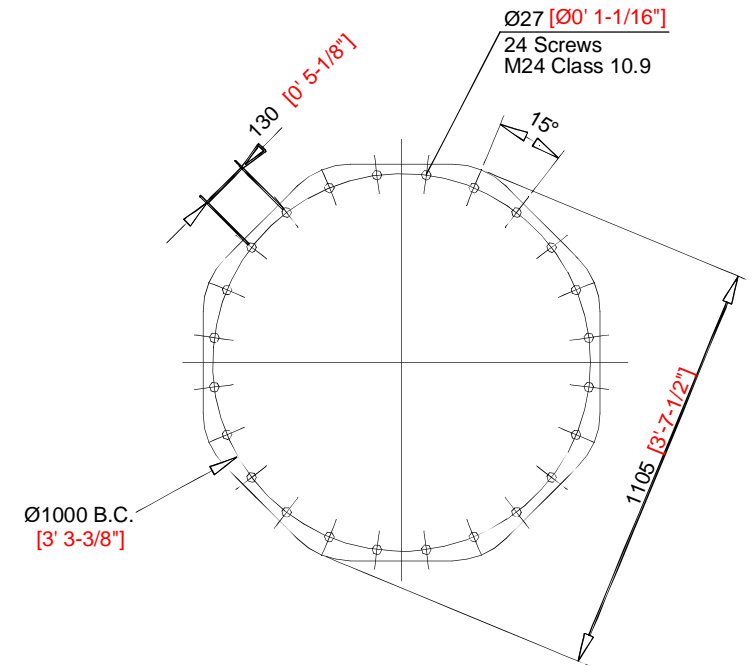


REVISION HISTORY				
ZONE	REV	DESCRIPTION	DATE	APP'D

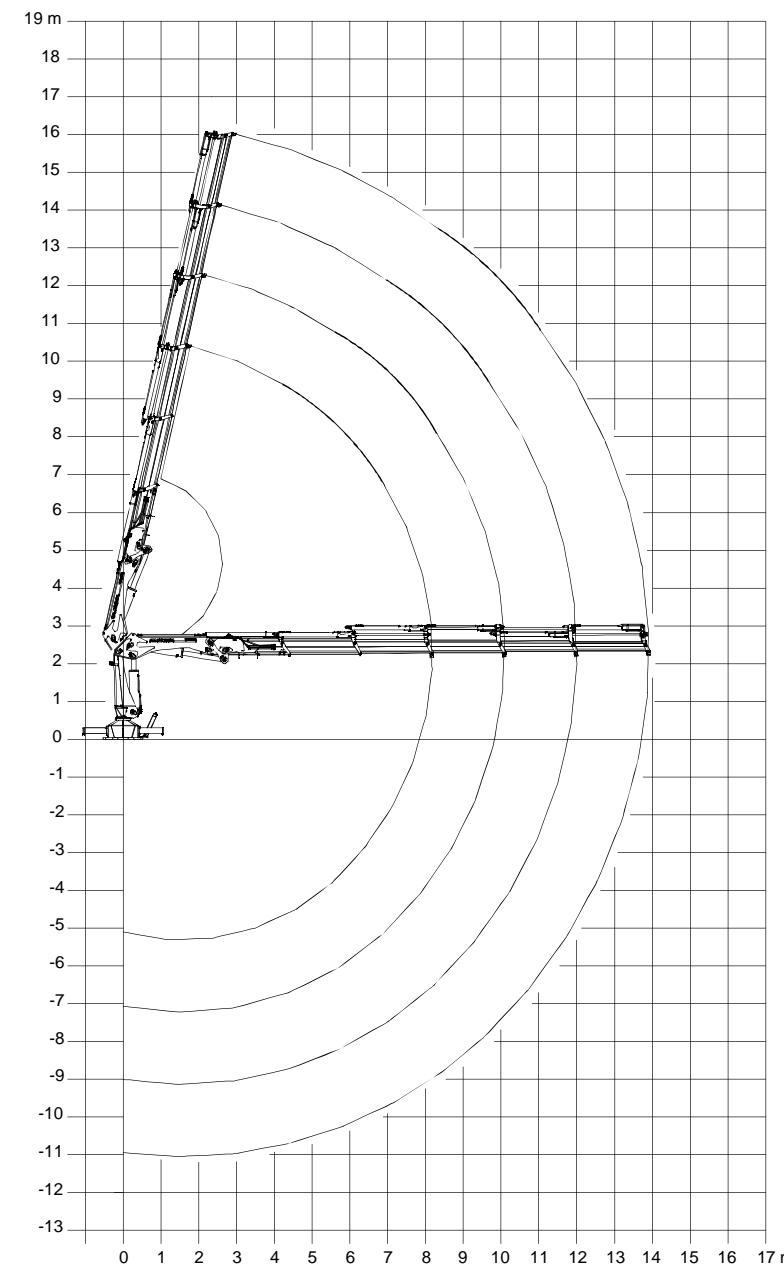
Retracted and Parked Views (1:30 Scale)



Mounting Base Dimensions (1:10 Scale)



Positions Diagram (1:100 Scale)



Technical Data

Gross Lifting Moment	289.3 kNm [213376.41 Lbf FT]
Maximum Lifting Dynamic Moment	412.1 kNm [303948.90 Lbf FT]
Max Hydraulic Horizontal Outreach	14.0 m [45' 11-3/16"]
Slewing Angle	395°
Max Rotational Torque	55 kNm [40565.85 Lbf FT]
Recommended Volume of Oil in Tank	180 L [47.55 Gallons]
Max Working Oil Pressure	240 bar [3481 PSI]
Recommended Pump Delivery	70 L/min [18.49 Gallons/Min]
Electrical Power Requirement	29.4 kW / 40 CV
Weight of Standard Crane	4095 kg [9028 LBF]

Mounting Base Installation

Quantity of Bolts Required	24
Thread Pitch and Class	M24 x 120 Class 10.9

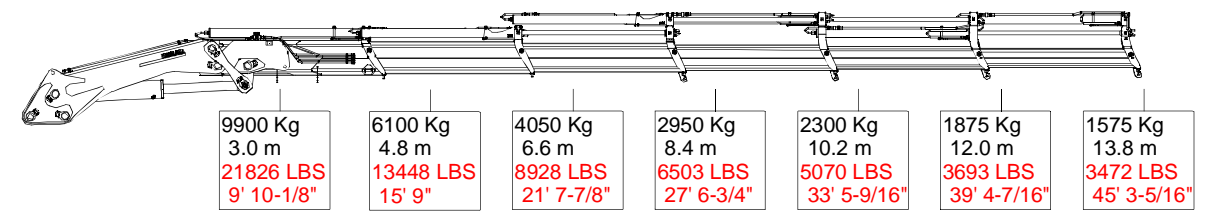
Standard Features

- Built according to DIN 15018-H1-B3 standards.
- Crane structure is sandblasted and metallized.
- Double coat of primer and two layers of paint.
- Special cylinders with Ni-Cr piston rods for marine environments.
- Female fittings in stainless steel, and male fittings in carbon steel.
- Stainless steel hydraulic installation pipes.
- Hoses with rubber "Type A" double coat.
- Wheel-rack slewing system, via cylinders, with bronze bushings.
- Safety valves on the cylinders.
- Hydraulic load limiter.
- Emergency stop button.

Optional Features

- Hydraulic winch
- Manual extensions
- Remote control
- Auxiliary hydraulic intakes
- Cab

Load Chart



UNLESS OTHERWISE SPECIFIED:
 DIMENSIONS ARE IN MILLIMETERS
 TOLERANCES:
 FRACTIONAL ±
 ANGULAR, MACH ± BEND ±
 TWO PLACE DECIMAL ±
 THREE PLACE DECIMAL ±
 INTERPRET GEOMETRIC TOLERANCING PER:
 FINISH:
 FIRST ANGLE PROJECTION

NAME	RJS	DATE	10/4/13
CHECKED	DW	DATE	10/4/13
ENG APPR.			
MFG APPR.			
Q.A.			
COMMENTS:			

DMW MARINE GROUP, LLC
 CHESTER SPRINGS, PA
 TITLE:
 MODEL M330.24A5
 MARINE CRANE
 SIZE/DWG. NO.
 D DMG M330.24A5
 SCALE=1:40 WEIGHT: 4095 Kg SHEET 1 OF 1

REV
 D DMG M330.24A5