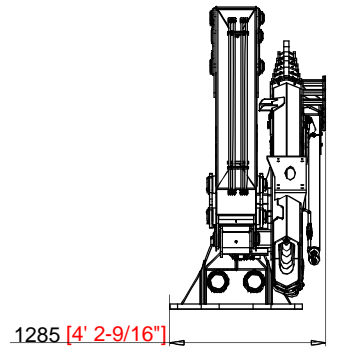
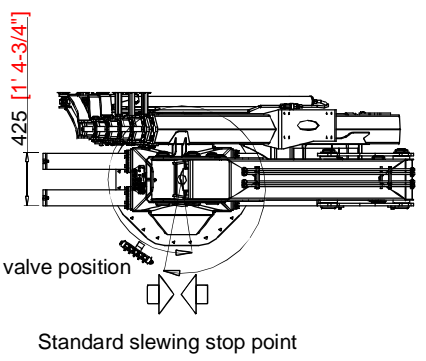
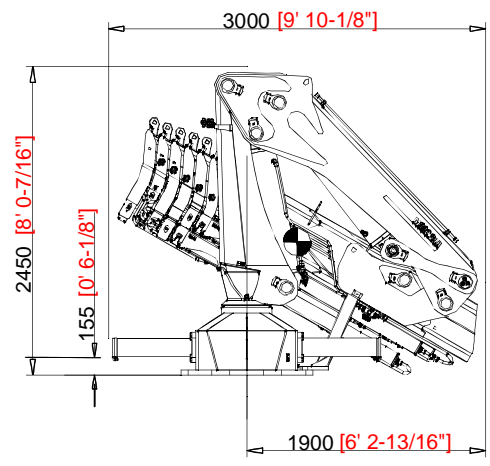
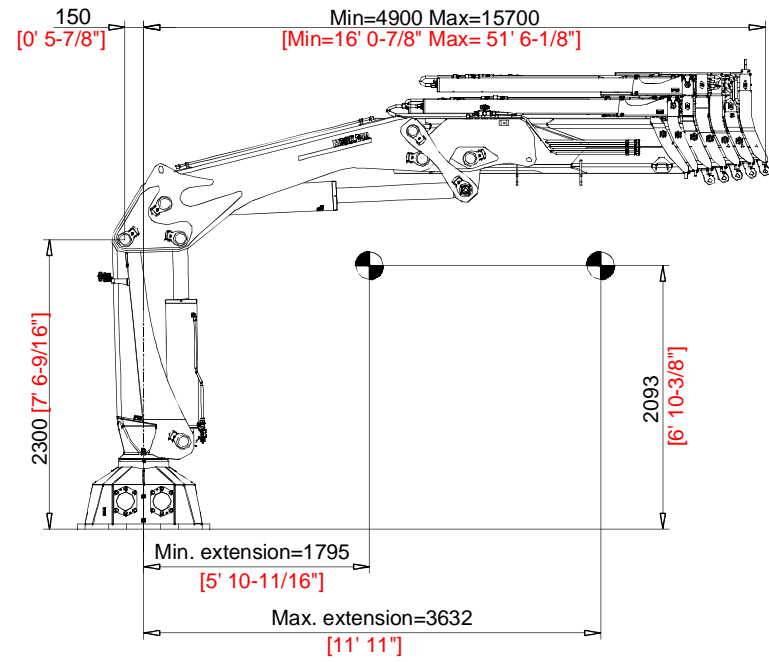
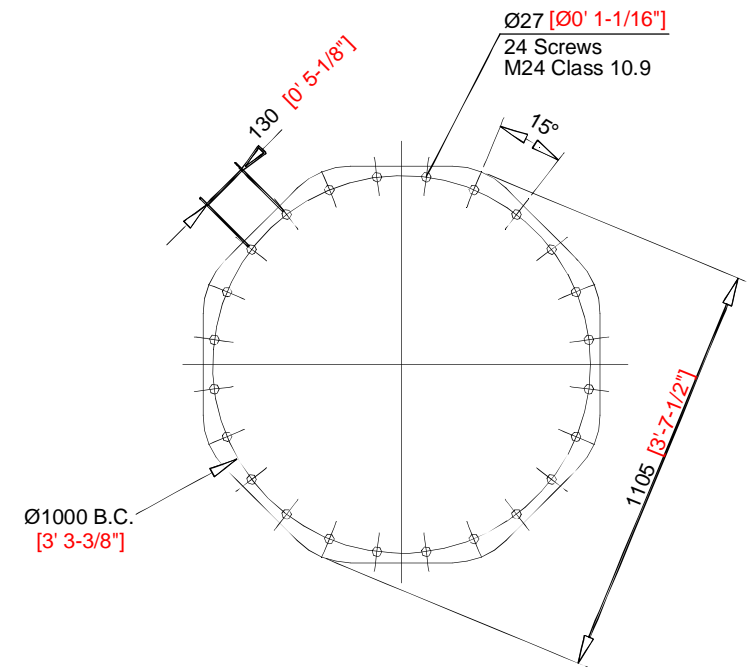


REVISION HISTORY				
ZONE	REV	DESCRIPTION	DATE	APP'D

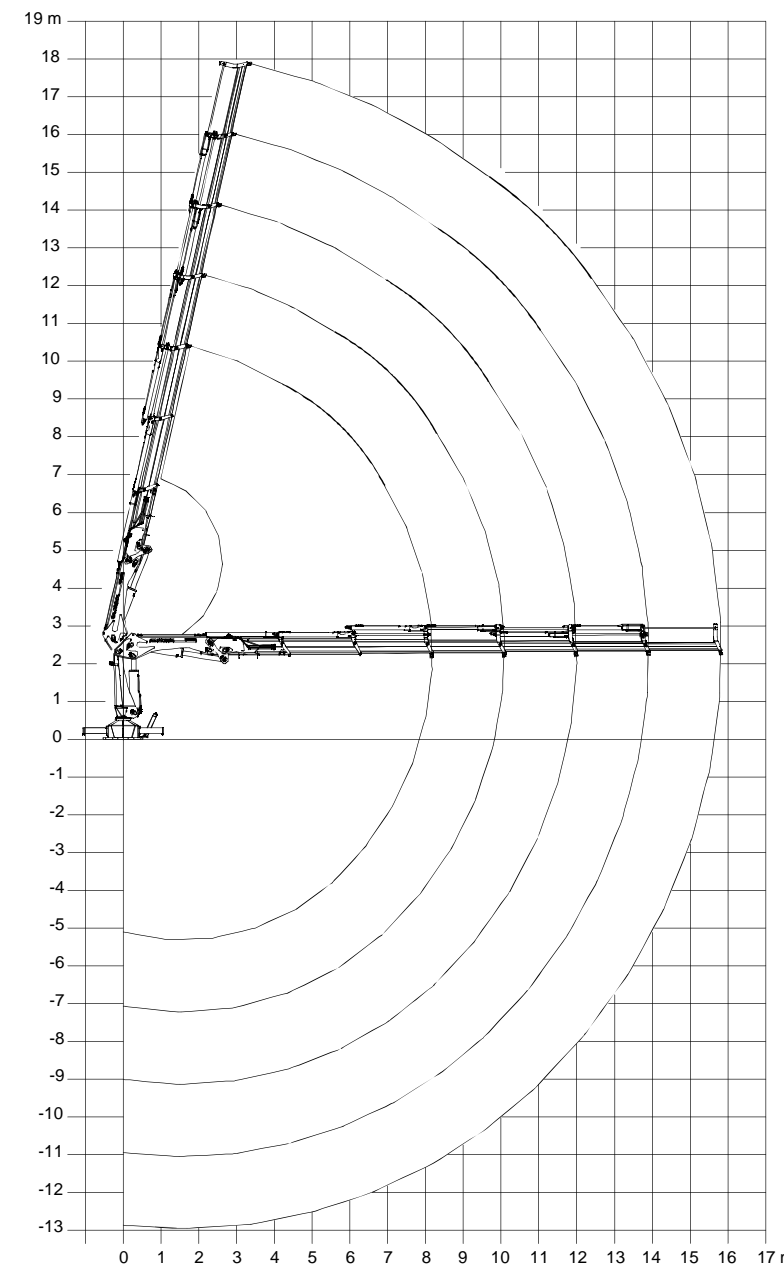
Retracted and Parked Views (1:30 Scale)



Mounting Base Dimensions (1:10 Scale)



Positions Diagram (1:100 Scale)



Technical Data

Gross Lifting Moment	282.3 kNm [208213.47 Lbf FT]
Maximum Lifting Dynamic Moment	409.5 kNm [302031.24 Lbf FT]
Max Hydraulic Horizontal Outreach	16.0 m [52' 5-15/16"]
Slewing Angle	395°
Max Rotational Torque	55 kNm [40565.85 Lbf FT]
Recommended Volume of Oil in Tank	180 L [47.55 Gallons]
Max Working Oil Pressure	240 bar [3481 PSI]
Recommended Pump Delivery	70 L/min [18.49 Gallons/Min]
Electrical Power Requirement	29.4 kW / 40 CV
Weight of Standard Crane	4210 kg [9282 LBF]

Mounting Base Installation

Quantity of Bolts Required	24
Thread Pitch and Class	M24 x 120 Class 10.9

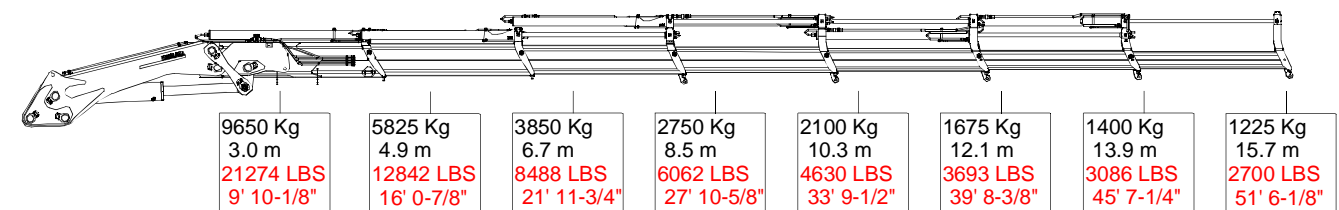
Standard Features

- Built according to DIN 15018-H1-B3 standards.
- Crane structure is sandblasted and metallized.
- Double coat of primer and two layers of paint.
- Special cylinders with Ni-Cr piston rods for marine environments.
- Female fittings in stainless steel, and male fittings in carbon steel.
- Stainless steel hydraulic installation pipes.
- Hoses with rubber "Type A" double coat.
- Wheel-rack slewing system, via cylinders, with bronze bushings.
- Safety valves on the cylinders.
- Hydraulic load limiter.
- Emergency stop button.

Optional Features

- Hydraulic winch
- Manual extensions
- Remote control
- Auxiliary hydraulic intakes
- Cab

Load Chart



UNLESS OTHERWISE SPECIFIED:		NAME	DATE	DMW MARINE GROUP, LLC CHESTER SPRING, PA
DIMENSIONS ARE IN MILLIMETERS		RJS	10/4/13	
TOLERANCES:		CHECKED	DW	TITLE: MODEL M330.24A6 MARINE CRANE
FRACTIONAL ±		ENG APPR.		
ANGULAR: MACH ±		MFG APPR.		SIZE/DWG. NO. D DMG M330.24A6
BEND ±		Q.A.		
TWO PLACE DECIMAL ±		COMMENTS:		SCALE=1:40 WEIGHT: 4210 Kg SHEET 1 OF 1
THREE PLACE DECIMAL ±				
INTERPRET GEOMETRIC TOLERANCING PER:				REV
FINISH:				-
FIRST ANGLE PROJECTION				

PROPRIETARY AND CONFIDENTIAL
 THE INFORMATION CONTAINED IN THIS
 DRAWING IS THE SOLE PROPERTY OF
 DMW MARINE GROUP, LLC. ANY
 REPRODUCTION IN PART OR AS A WHOLE
 WITHOUT THE WRITTEN PERMISSION OF
 DMW MARINE GROUP, LLC IS PROHIBITED.

REV
 D DMG M330.24A6