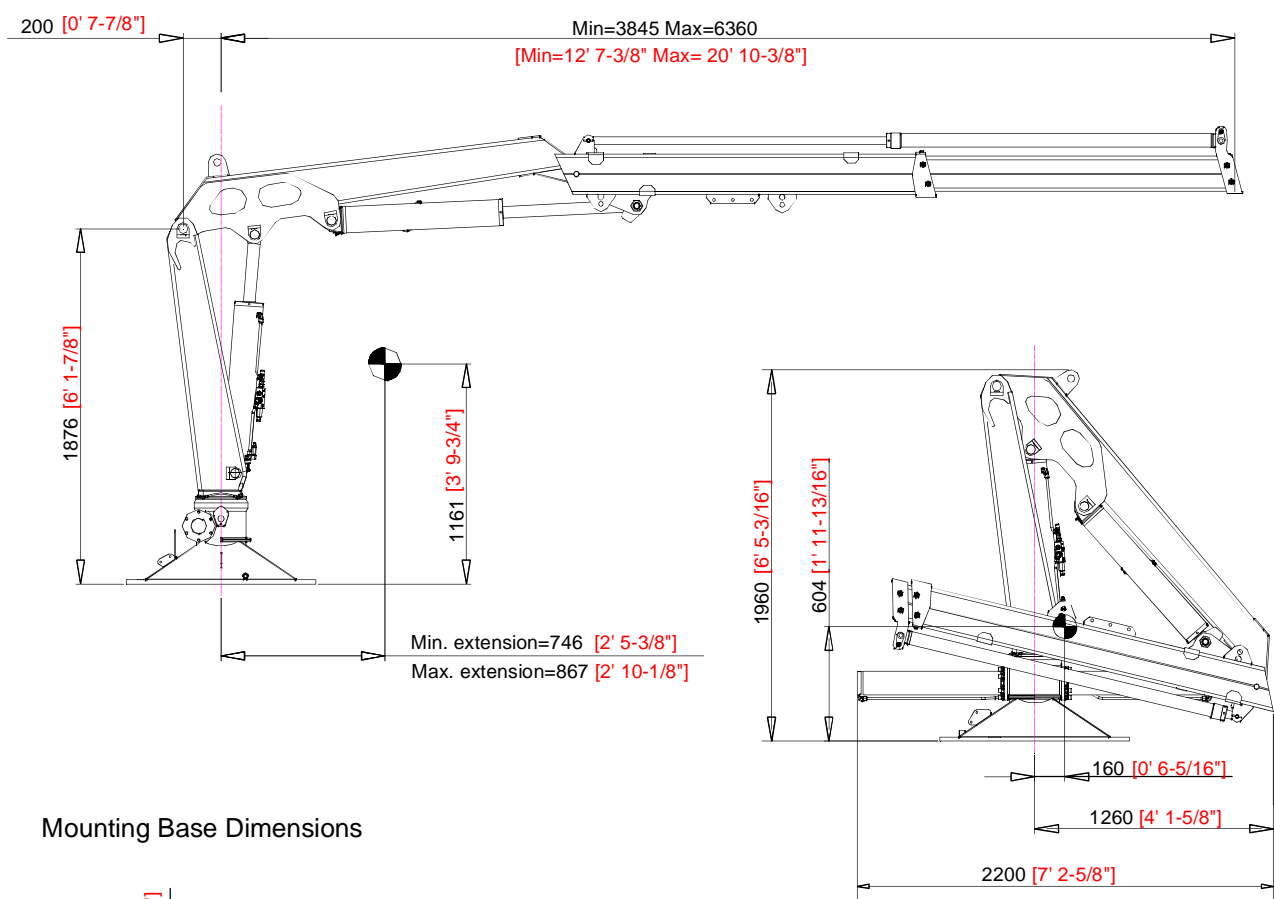
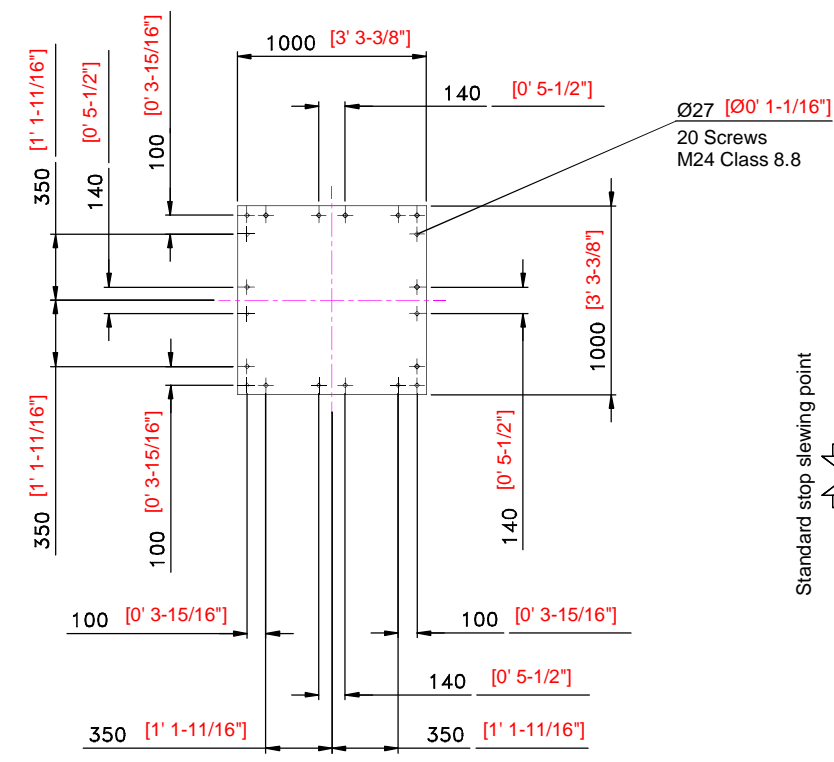


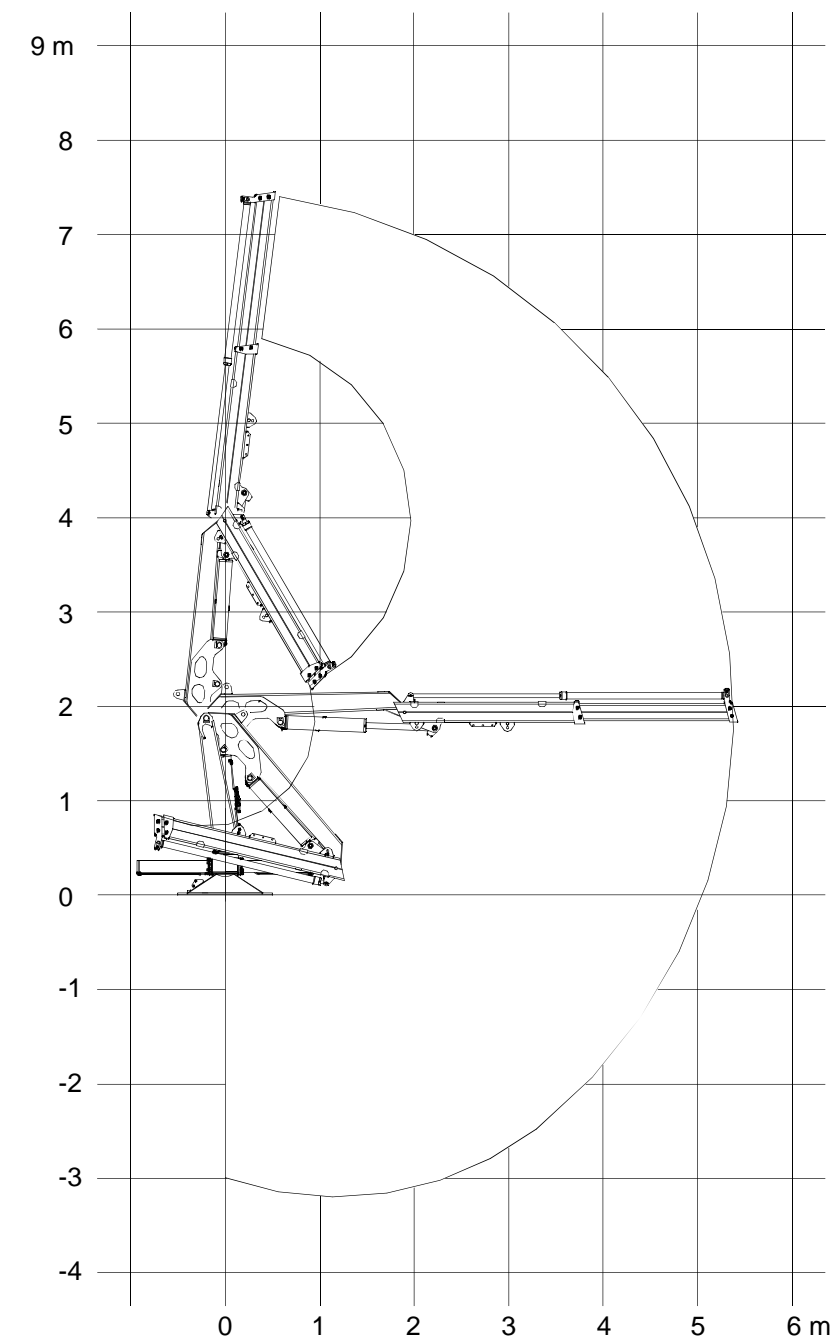
REVISION HISTORY				
ZONE	REV	DESCRIPTION	DATE	APP'D



Mounting Base Dimensions



Positions Diagram (1:40 Scale)



Technical Data

Gross Lifting Moment	77.7 kNm [57308.49 Lbf FT]
Maximum Lifting Dynamic Moment	104.3 kNm [76927.62 Lbf FT]
Max Hydraulic Horizontal Outreach	5.38 m [17' 6-13/16"]
Slewing Angle	373°
Max Rotational Torque	16.14 kNm [11904.24 LBf FT]
Recommended Volume of Oil in Tank	40 L [10.56 Gallons]
Max Working Oil Pressure	210 bar [3146 PSI]
Recommended Pump Delivery	30 L/min [7.93 Gallons/Min]
Electrical Power Requirement	12.35 kW / 17.0 CV
Weight of Standard Crane	1057 kg [2331 LBF]

Mounting Base Installation

Quantity of Bolts Required	20
Thread Pitch and Class	M24 Class 8.8

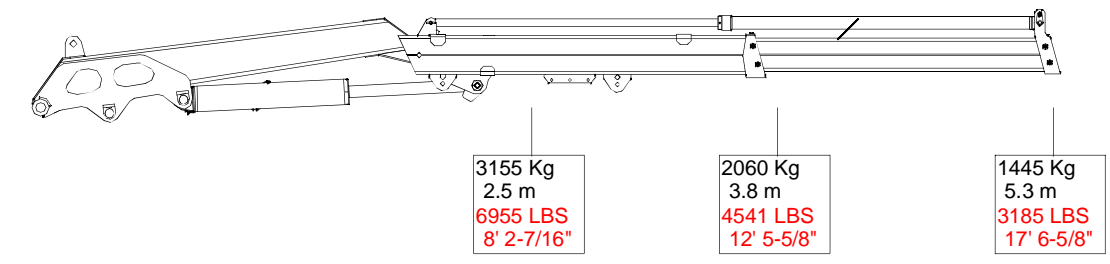
Standard Features

- Built according to DIN 15018-H1-B3 standards.
- Crane structure is sandblasted and metallized.
- Double coat of primer and two layers of paint.
- Special cylinders with Ni-Cr piston rods for marine environments.
- Female fittings in stainless steel, and male fittings in carbon steel.
- Stainless steel hydraulic installation pipes.
- Hoses with rubber "Type A" double coat.
- Wheel-rack slewing system, via cylinders, with bronze bushings.
- Safety valves on the cylinders.
- Hydraulic load limiter.
- Emergency stop button.

Optional Features

- Hydraulic winch
- Manual extensions
- Remote control
- Auxiliary hydraulic intakes
- Cab

Load Chart



UNLESS OTHERWISE SPECIFIED:
DIMENSIONS ARE IN MILLIMETERS
TOLERANCES:
FRACTIONAL ±
ANGULAR: MACH ± BEND ±
TWO PLACE DECIMAL ±
THREE PLACE DECIMAL ±

PROPRIETARY AND CONFIDENTIAL
THE INFORMATION CONTAINED IN THIS DRAWING IS THE SOLE PROPERTY OF DMW MARINE GROUP, LLC. ANY REPRODUCTION IN PART OR AS A WHOLE WITHOUT THE WRITTEN PERMISSION OF DMW MARINE GROUP, LLC IS PROHIBITED.

INTERPRET GEOMETRIC TOLERANCING PER: FIRST ANGLE PROJECTION

NAME	DATE
RJS	8/12/13
DW	8/12/13

CHECKED
ENG APPR.
MFG APPR.

Q.A.
COMMENTS:

DMW MARINE GROUP, LLC
CRESTER SPRING, PA

TITLE:
**MODEL M75.90A1
MARINE CRANE**

SIZE/DWG. NO.
D DMG M75.90A1

REV
—

SCALE=1:15 WEIGHT: 1075 Kg SHEET 1 OF 1