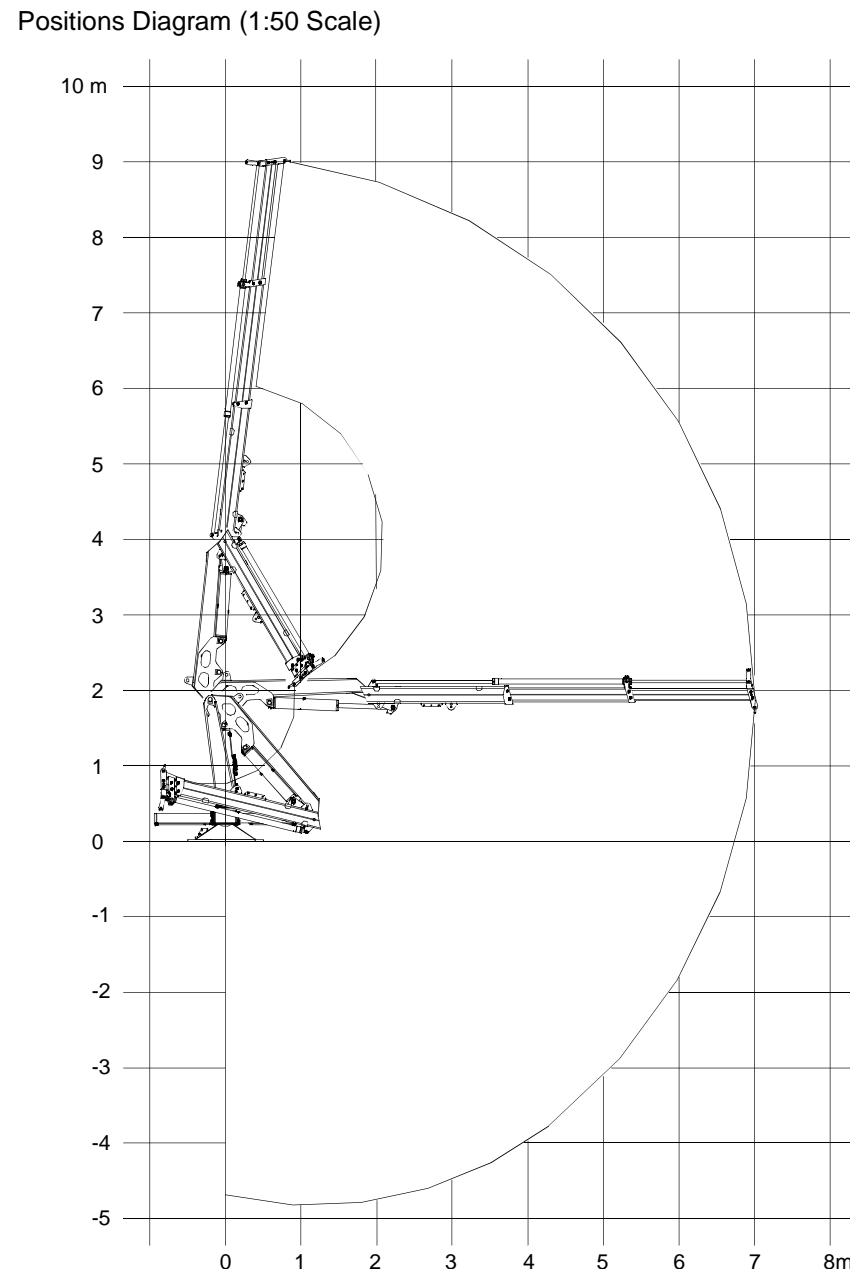
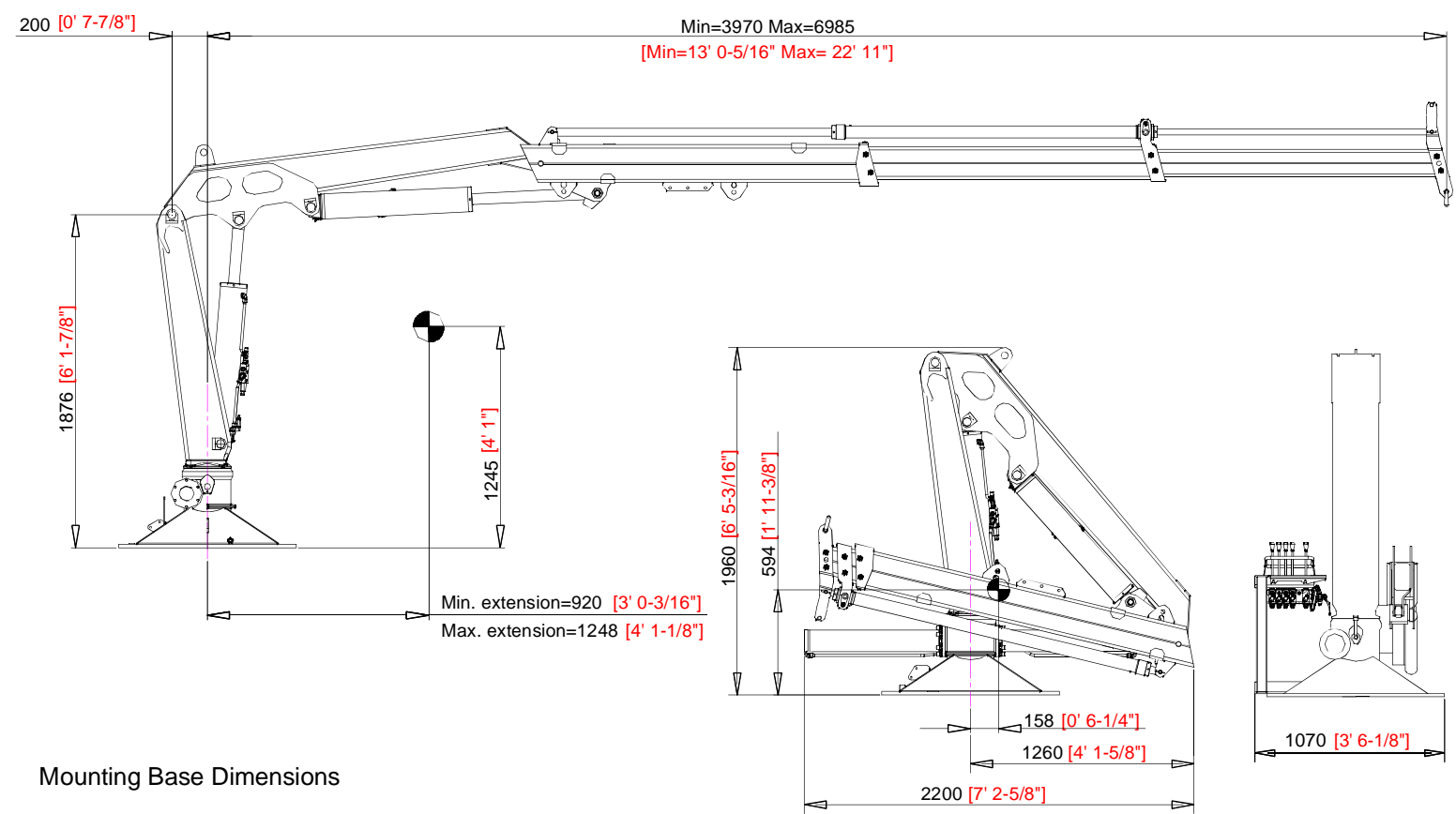


| REVISION HISTORY | | | | |
|------------------|-----|-------------|------|-------|
| ZONE | REV | DESCRIPTION | DATE | APP'D |
| | | | | |



Technical Data

| | |
|-----------------------------------|-----------------------------|
| Gross Lifting Moment | 75.2 kNm [55464.59 Lbf FT] |
| Maximum Lifting Dynamic Moment | 103.8 kNm [76558.84 Lbf FT] |
| Max Hydraulic Horizontal Outreach | 7.0 m [17' 11-5/8"] |
| Slewing Angle | 373° |
| Max Rotational Torque | 16.14 kNm [11904.24 Lbf FT] |
| Recommended Volume of Oil in Tank | 40 L [10.56 Gallons] |
| Max Working Oil Pressure | 210 bar [3146 PSI] |
| Recommended Pump Delivery | 30 L/min [7.93 Gallons/Min] |
| Electrical Power Requirement | 12.35 kW / 17.0 CV |
| Weight of Standard Crane | 1147 kg [2529 LBF] |

Mounting Base Installation

| | |
|----------------------------|---------------|
| Quantity of Bolts Required | 20 |
| Thread Pitch and Class | M24 Class 8.8 |

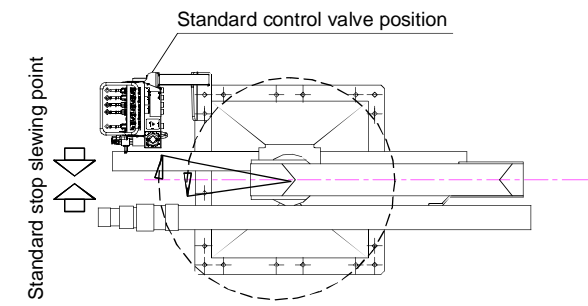
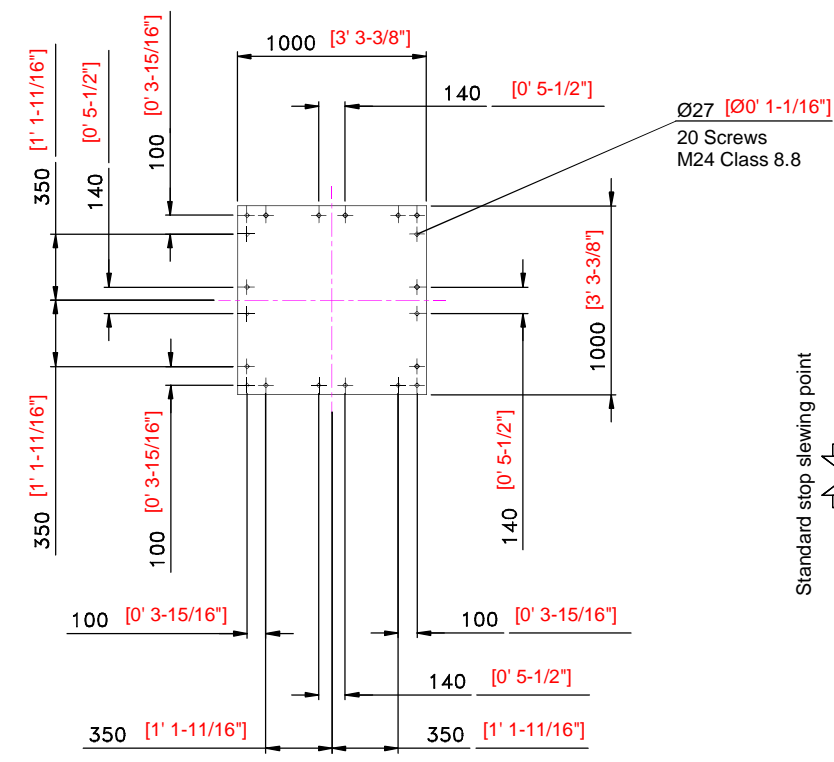
Standard Features

- Built according to DIN 15018-H1-B3 standards.
- Crane structure is sandblasted and metallized.
- Double coat of primer and two layers of paint.
- Special cylinders with Ni-Cr piston rods for marine environments.
- Female fittings in stainless steel, and male fittings in carbon steel.
- Stainless steel hydraulic installation pipes.
- Hoses with rubber "Type A" double coat.
- Wheel-rack slewing system, via cylinders, with bronze bushings.
- Safety valves on the cylinders.
- Hydraulic load limiter.
- Emergency stop button.

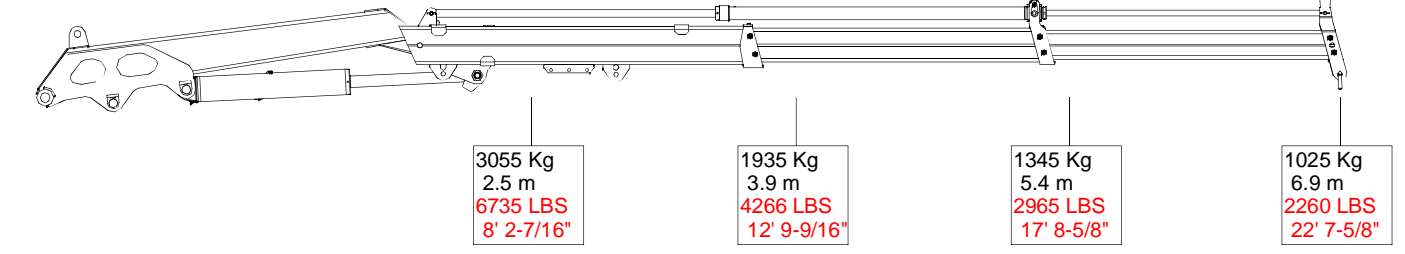
Optional Features

- Hydraulic winch
- Manual extensions
- Remote control
- Auxiliary hydraulic intakes
- Cab

Mounting Base Dimensions



Load Chart



| | | | |
|---|--|----------------------------|---|
| UNLESS OTHERWISE SPECIFIED: DIMENSIONS ARE IN MILLIMETERS TOLERANCES: FRACTIONAL ± ANGULAR: MACH ± BEND ± TWO PLACE DECIMAL ± THREE PLACE DECIMAL ± | | NAME: RJS DATE: 8/18/13 | DMW MARINE GROUP, LLC CRESTER SPRING, PA |
| DRAWN: RJS CHECKED: DW ENG APPR.: MFG APPR.: | | DATE: 8/18/13 | |
| INTERPRET GEOMETRIC TOLERANCING PER: FIRST ANGLE PROJECTION | | Q.A.: | TITLE: MODEL M75.90A2 MARINE CRANE |
| PROPRIETARY AND CONFIDENTIAL THE INFORMATION CONTAINED IN THIS DRAWING IS THE SOLE PROPERTY OF DMW MARINE GROUP, LLC. ANY REPRODUCTION IN PART OR AS A WHOLE WITHOUT THE WRITTEN PERMISSION OF DMW MARINE GROUP, LLC IS PROHIBITED. | | COMMENTS: | SIZE/DWG. NO. D DMG M75.90A2 |
| SCALE: 1:20 | | WEIGHT: 1147 Kg | SHEET 1 OF 1 |