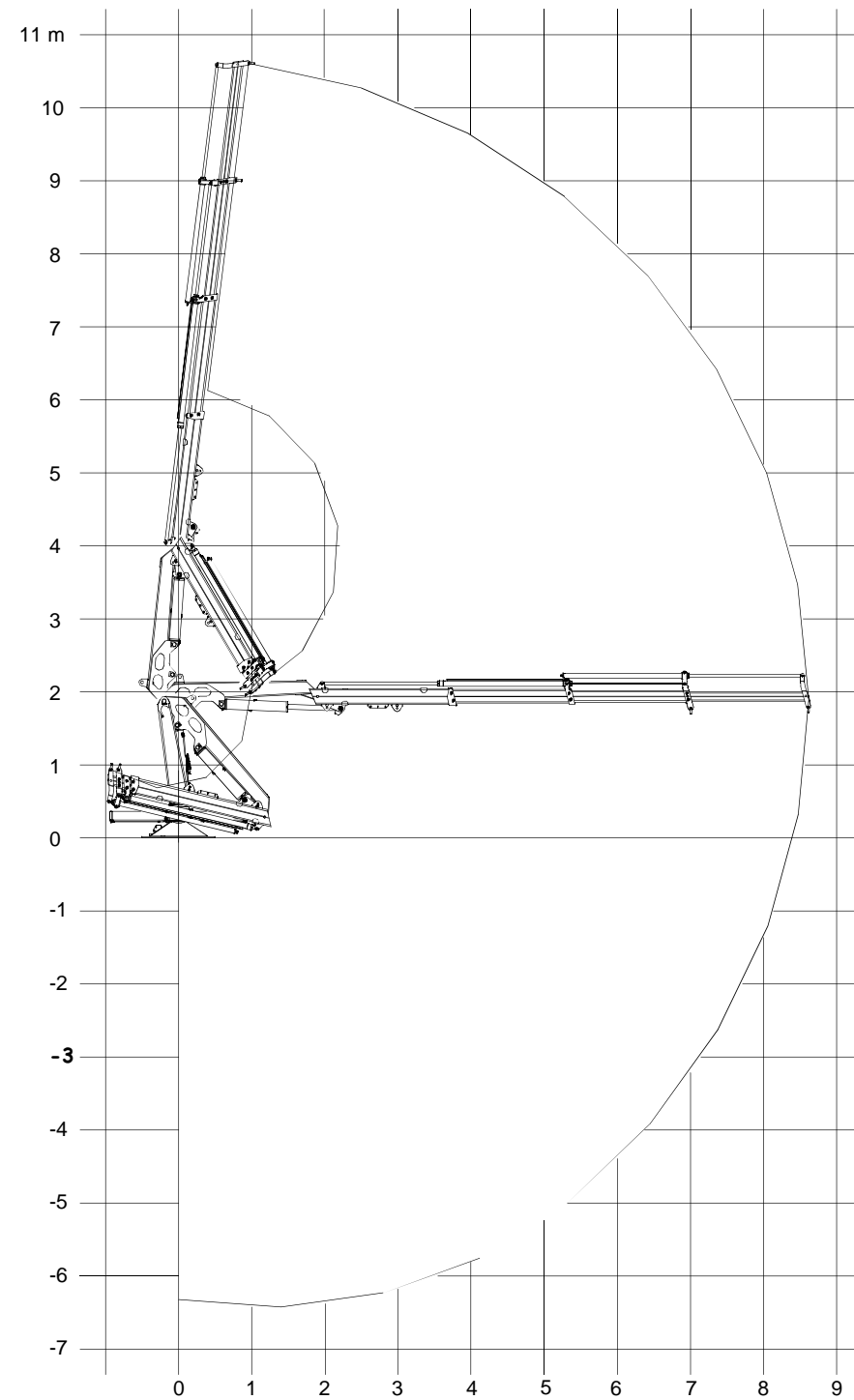


REVISION HISTORY				
ZONE	REV	DESCRIPTION	DATE	APP'D

Positions Diagram (1:50 Scale)



**Technical Data**

Gross Lifting Moment	73.1 kNm [53915.71 Lbf FT]
Maximum Lifting Dynamic Moment	103.5 kNm [76337.57 Lbf FT]
Max Hydraulic Horizontal Outreach	8.6 m [28' 2-5/8"]
Slewing Angle	373°
Max Rotational Torque	16.14 kNm [11904.24 Lbf FT]
Recommended Volume of Oil in Tank	40 L [10.56 Gallons]
Max Working Oil Pressure	210 bar [3146 PSI]
Recommended Pump Delivery	30 L/min [7.93 Gallons/Min]
Electrical Power Requirement	12.35 kW / 17.0 CV
Weight of Standard Crane	1217 kg [2683 LBF]

**Mounting Base Installation**

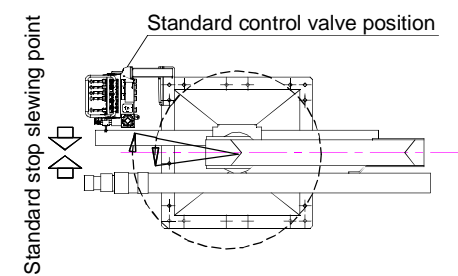
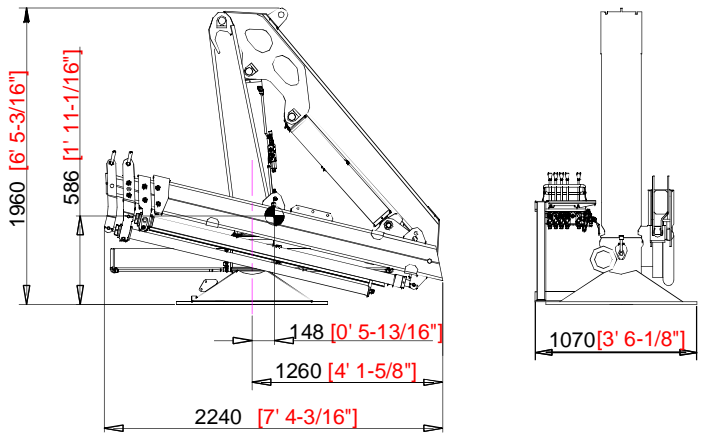
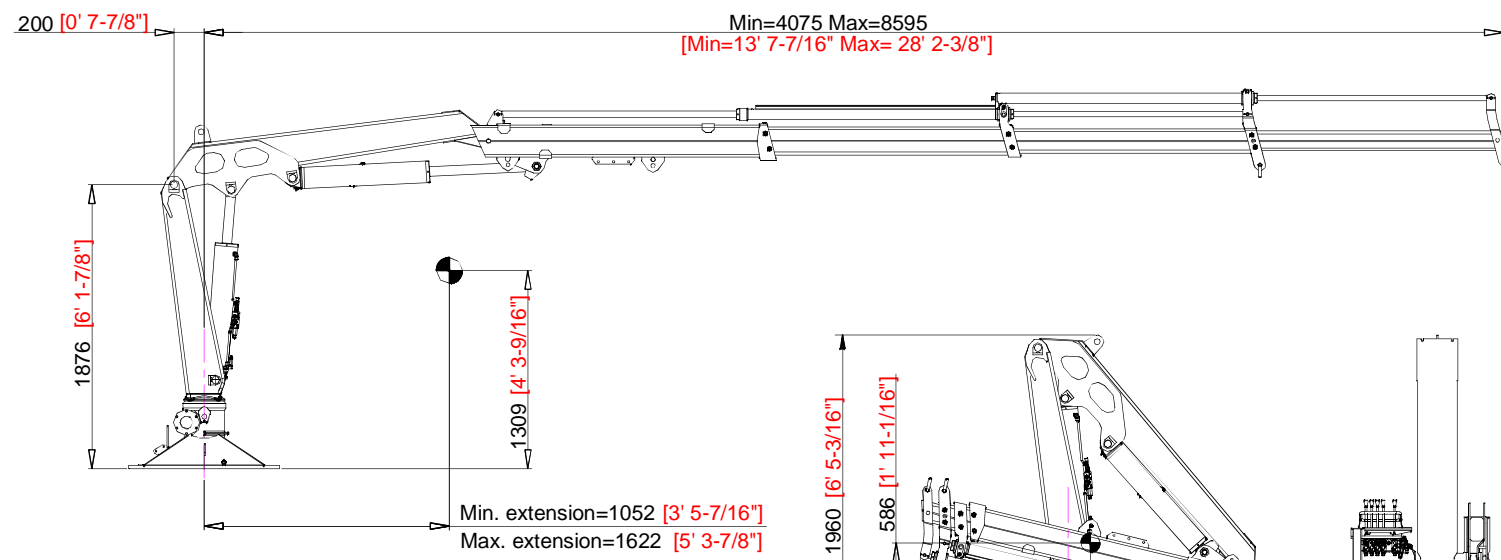
Quantity of Bolts Required	20
Thread Pitch and Class	M24 Class 8.8

**Standard Features**

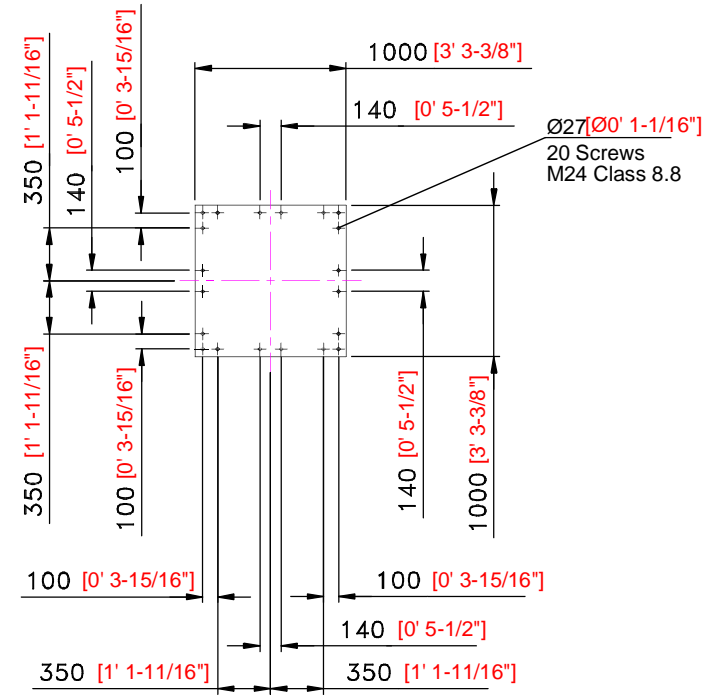
- Built according to DIN 15018-H1-B3 standards.
- Crane structure is sandblasted and metallized.
- Double coat of primer and two layers of paint.
- Special cylinders with Ni-Cr piston rods for marine environments.
- Female fittings in stainless steel, and male fittings in carbon steel.
- Stainless steel hydraulic installation pipes.
- Hoses with rubber "Type A" double coat.
- Wheel-rack slewing system, via cylinders, with bronze bushings.
- Safety valves on the cylinders.
- Hydraulic load limiter.
- Emergency stop button.

**Optional Features**

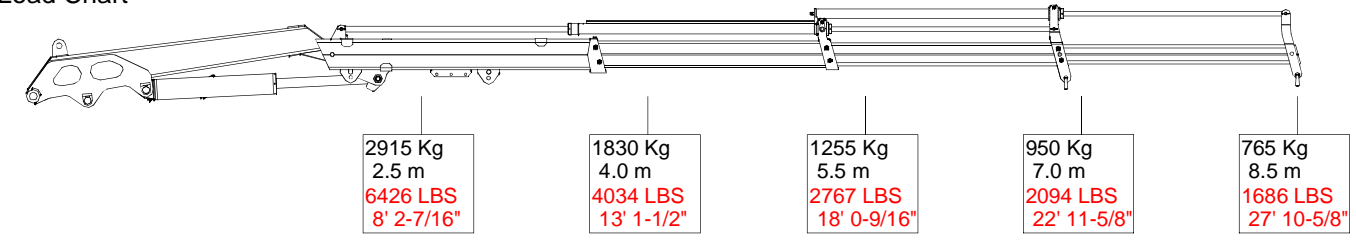
- Hydraulic winch
- Manual extensions
- Remote control
- Auxiliary hydraulic intakes
- Cab



**Mounting Base Dimensions**



**Load Chart**



PROPRIETARY AND CONFIDENTIAL  
THE INFORMATION CONTAINED IN THIS  
DRAWING IS THE SOLE PROPERTY OF  
DMW MARINE GROUP, LLC. ANY  
REPRODUCTION IN PART OR AS A WHOLE  
WITHOUT THE WRITTEN PERMISSION OF  
DMW MARINE GROUP, LLC IS PROHIBITED.

UNLESS OTHERWISE SPECIFIED: DIMENSIONS ARE IN MILLIMETERS TOLERANCES: FRACTIONAL ± ANGULAR: BACH ± BEND ± TWO PLACE DECIMAL ± THREE PLACE DECIMAL ±	NAME RJS DW	DATE 8/18/13 8/18/13
INTERPRET GEOMETRIC TOLERANCING PER: FIRST ANGLE PROJECTION	Q.A. COMMENTS:	

DMW MARINE GROUP, LLC CHESTER SPRING, PA	
TITLE: <b>MODEL M75.90A3 MARINE CRANE</b>	
SIZE/DWG. NO. D DMG M75.90A3	REV —
SCALE=1:25 WEIGHT: 1217 Kg SHEET 1 OF 1	