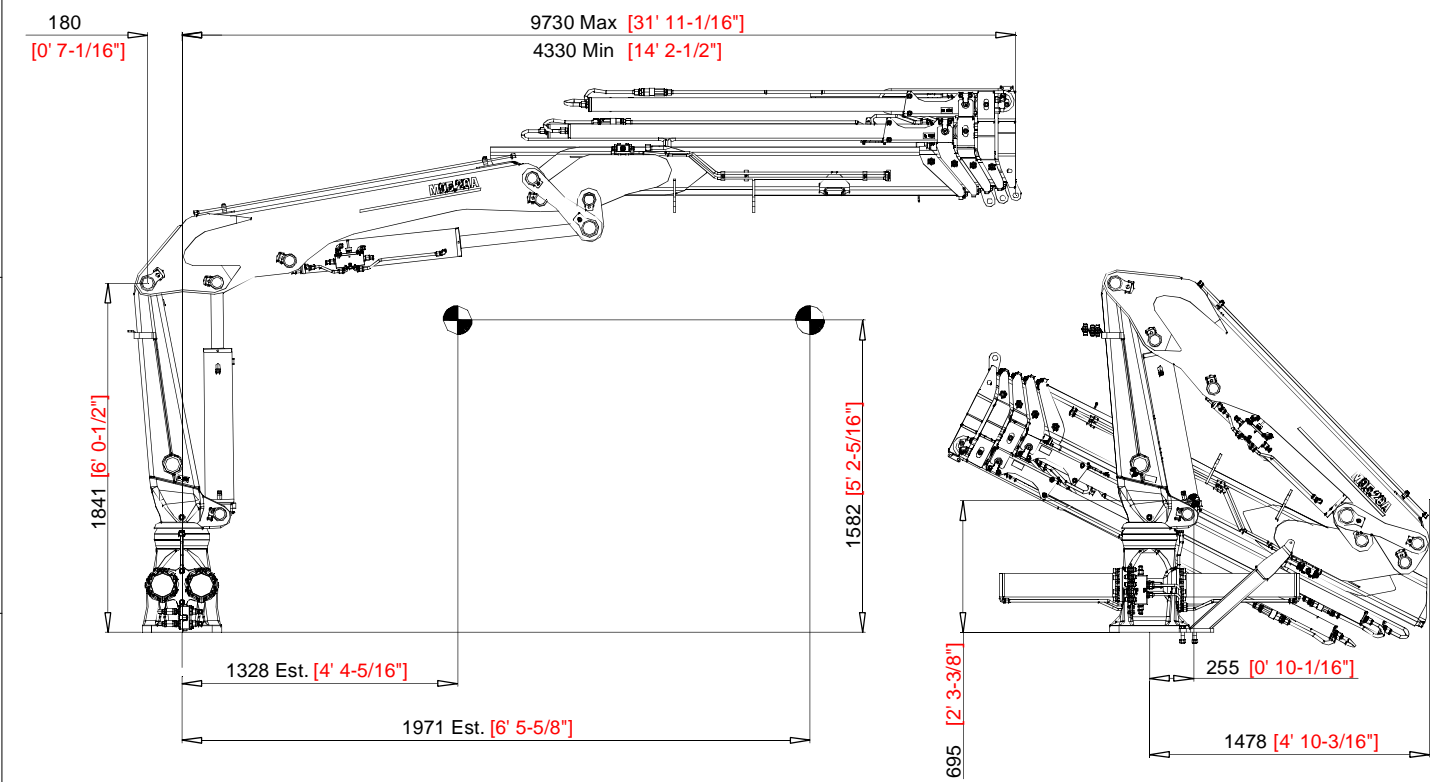
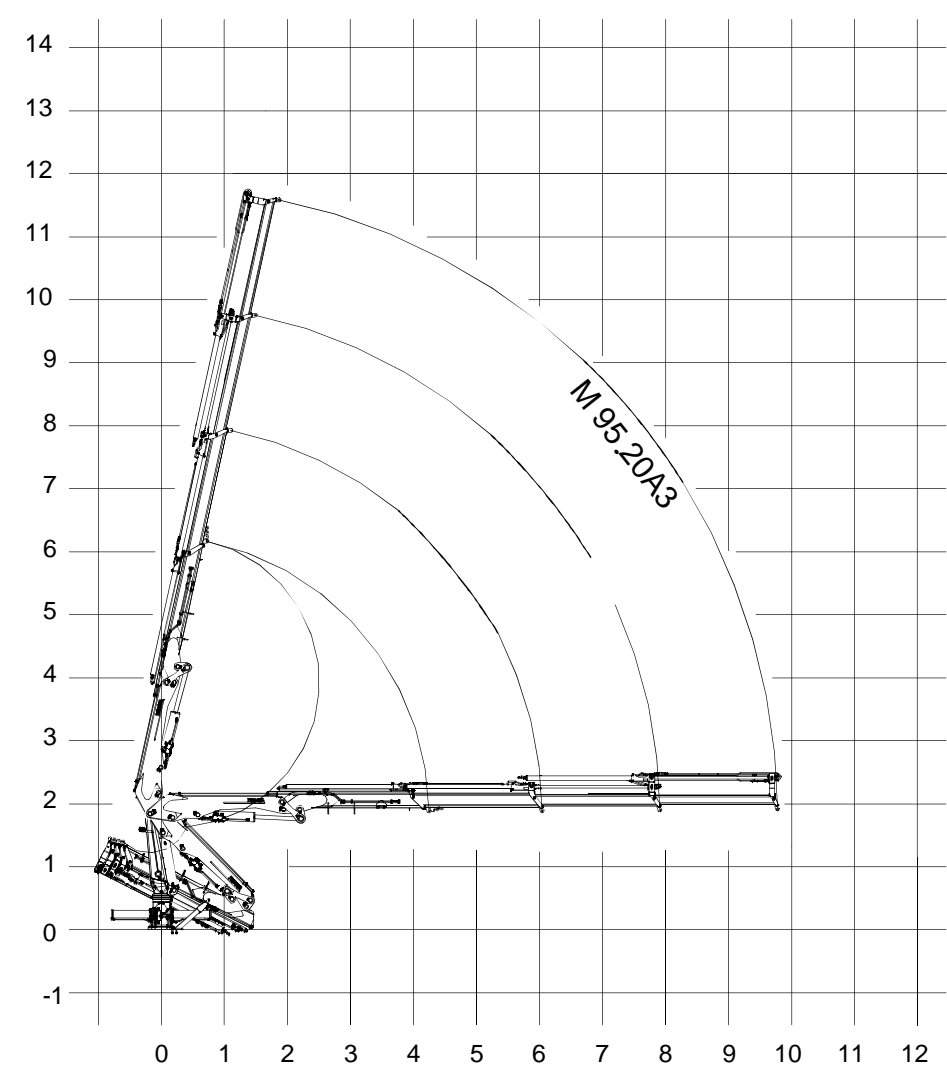


REVISION HISTORY				
ZONE	REV	DESCRIPTION	DATE	APP'D



Positions Diagram (1:60 Scale)



Technical Data

Gross Lifting Moment	116.2 kNm [85704.59 Lbf FT]
Maximum Lifting Dynamic Moment	124.2 kNm [91605.08 Lbf FT]
Max Hydraulic Horizontal Outreach	9.7 m [32' 9-7/8"]
Slewing Angle	415°
Max Rotational Torque	22.4 kNm [16521 Lbf FT]
Recommended Volume of Oil in Tank	45 L [11.88 Gallons]
Max Working Oil Pressure	240 bar [3481 PSI]
Recommended Pump Delivery	35 L/min [9.25 Gallons/Min]
Electrical Power Requirement	14.0 kW / 19.0 CV
Weight of Standard Crane	1450 kg [3197 LBF]

Mounting Base Installation

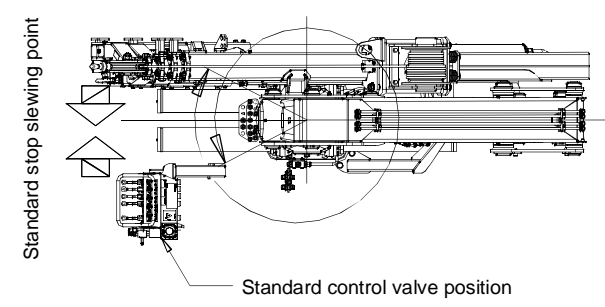
Quantity of Bolts Required	12
Thread Pitch and Class	M24 x 200 Class 10.9

Standard Features

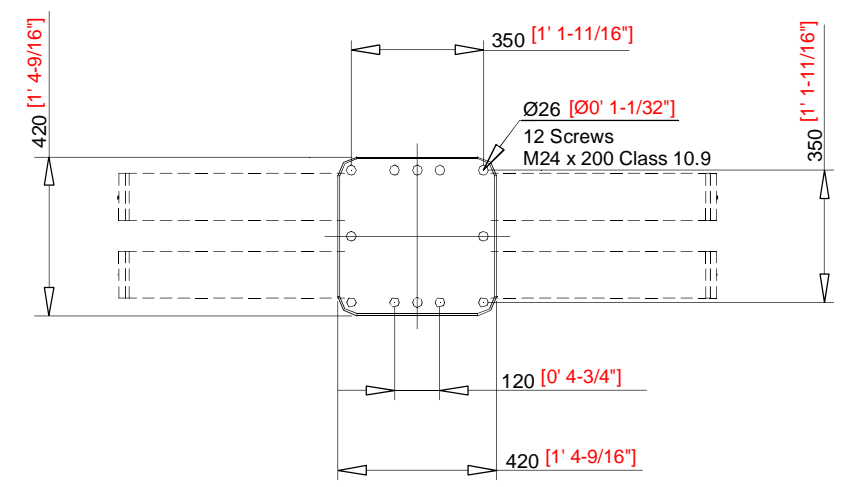
- Built according to DIN 15018-H1-B3 standards.
- Crane structure is sandblasted and metallized.
- Double coat of primer and two layers of paint.
- Special cylinders with Ni-Cr piston rods for marine environments.
- Female fittings in stainless steel, and male fittings in carbon steel.
- Stainless steel hydraulic installation pipes.
- Hoses with rubber "Type A" double coat.
- Wheel-rack slewing system, via cylinders, with bronze bushings.
- Safety valves on the cylinders.
- Hydraulic load limiter.
- Emergency stop button.

Optional Features

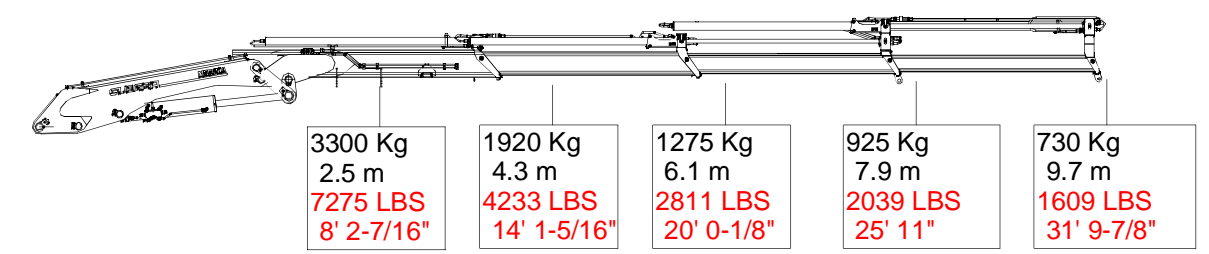
- Hydraulic winch
- Manual extensions
- Remote control
- Auxiliary hydraulic intakes
- Cab



Mounting Base Dimensions (1:10 Scale)



Load Chart (NTS)



UNLESS OTHERWISE SPECIFIED:
 DIMENSIONS ARE IN MILLIMETERS
 TOLERANCES:
 FRACTIONAL ±
 ANGULAR: BACH ± BEND ±
 TWO PLACE DECIMAL ±
 THREE PLACE DECIMAL ±
 FINISH:
 INTERPRET GEOMETRIC TOLERANCING PER:
 FIRST ANGLE PROJECTION

NAME	RJS	DATE	8/30/13
CHECKED	MR	DATE	9/1/13
ENG APPR.			
MFG APPR.			
Q.A.			
COMMENTS:			

DMW MARINE GROUP, LLC CRESTER SPRING, PA	
TITLE: MODEL M95.20A3 MARINE CRANE	
SIZE/DWG. NO. D DMG M95.20A3	REV —
SCALE=1:20 WEIGHT: 1450 Kg SHEET 1 OF 1	

PROPRIETARY AND CONFIDENTIAL
 THE INFORMATION CONTAINED IN THIS
 DRAWING IS THE SOLE PROPERTY OF
 DMW MARINE GROUP, LLC. ANY
 REPRODUCTION IN PART OR AS A WHOLE
 WITHOUT THE WRITTEN PERMISSION OF
 DMW MARINE GROUP, LLC IS PROHIBITED.