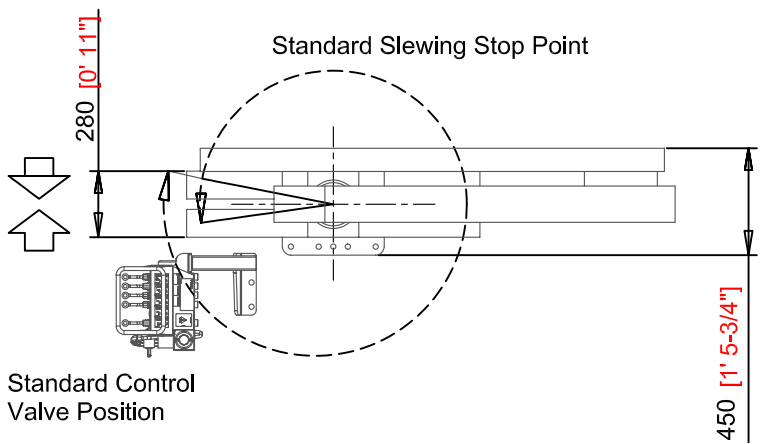
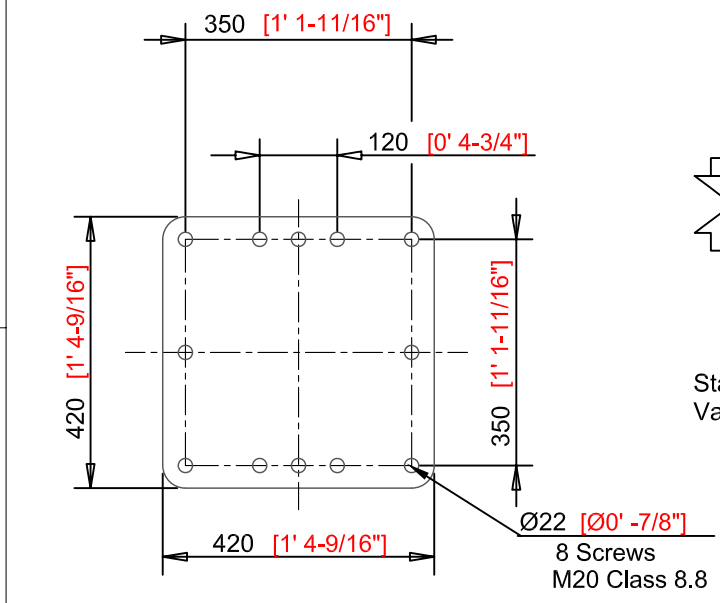
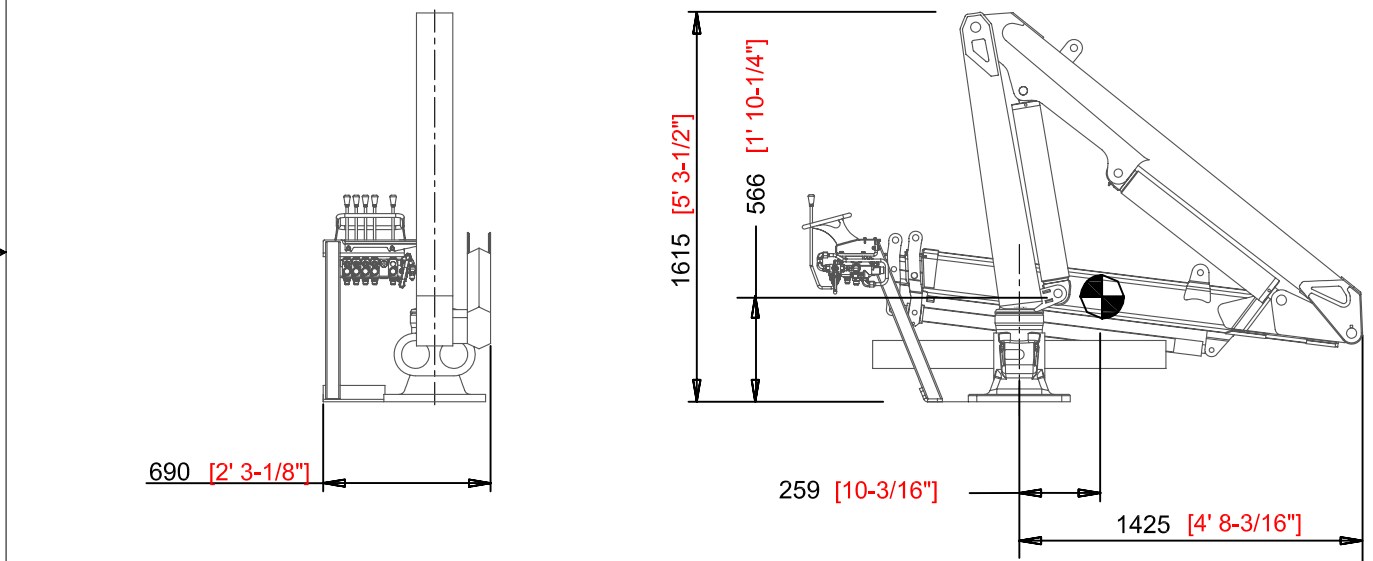
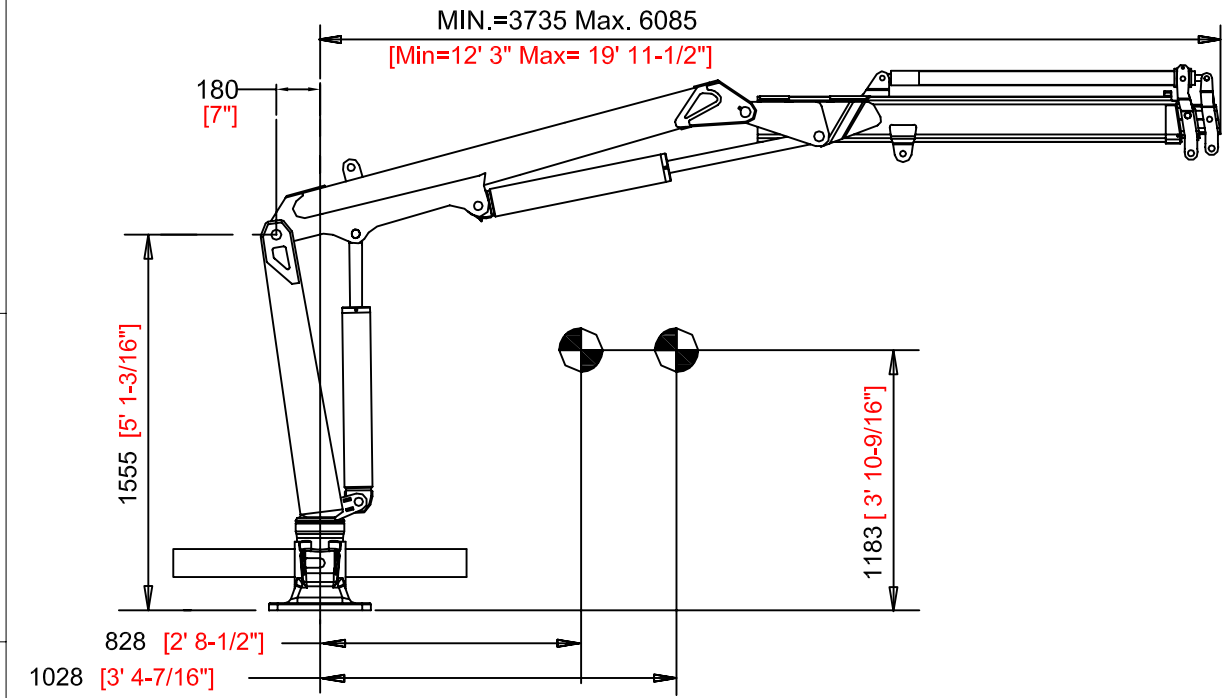
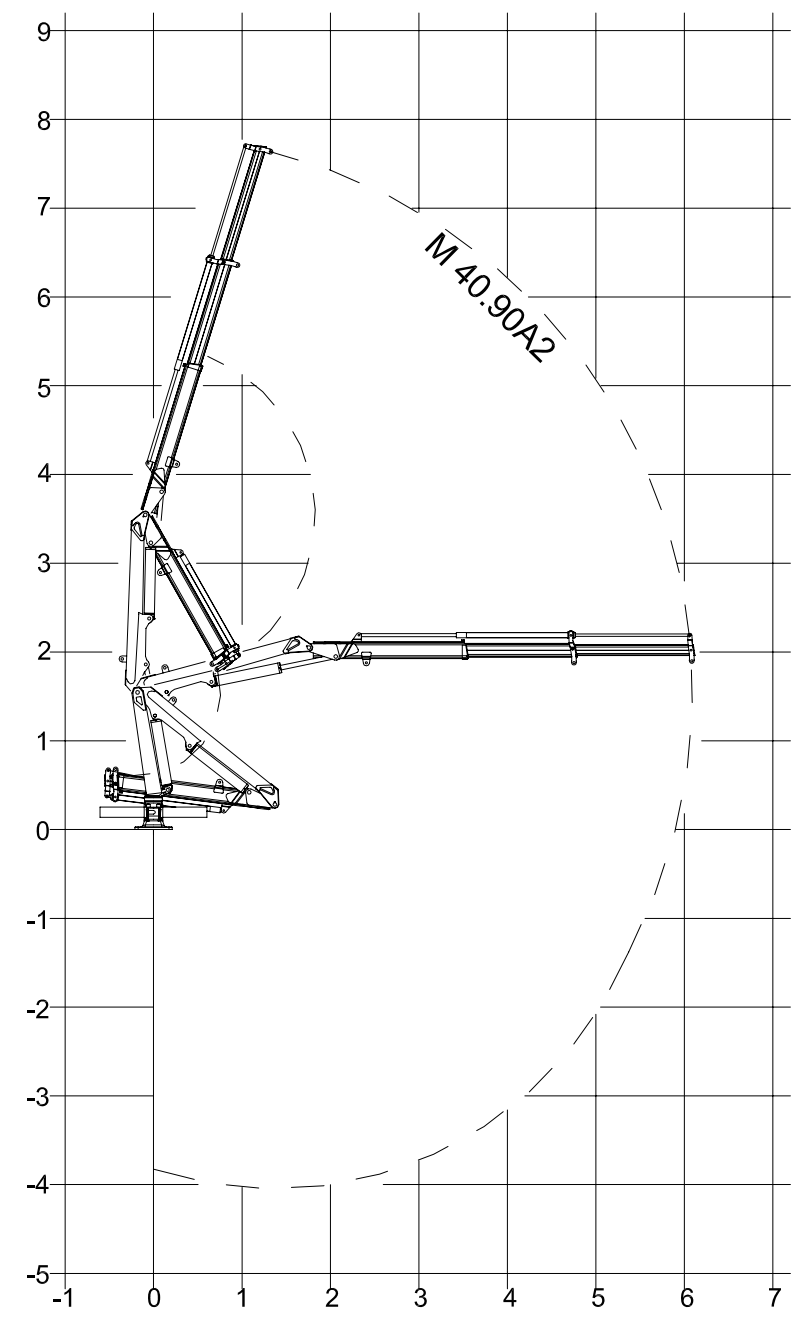


REVISION HISTORY				
ZONE	REV	DESCRIPTION	DATE	APP'D
	-	RELEASE DWG	6/5/14	DW



Positions Diagram



**Technical Data**

Gross Lifting Moment	37.53 kNm [27680.67 Lbf FT]
Maximum Lifting Dynamic Moment	53.23 kNm [39260.37 Lbf FT]
Max Hydraulic Horizontal Outreach	6.0 m [19' 8"]
Slewing Angle	400°
Max Rotational Torque	15.98 kNm [11786.23 lbf FT]
Recommended Volume of Oil in Tank	20 L [5.28 Gallons]
Max Working Oil Pressure	195 bar [2828 PSI]
Recommended Pump Delivery	20 L/min [5.28 Gallons/Min]
Electrical Power Requirement	7.64 kW / 10.39 CV
Weight of Standard Crane	770 kg [1698 LBF]

**Mounting Base Installation**

Quantity of Bolts Required	8
Thread Pitch and Class	M20 Class 8.8

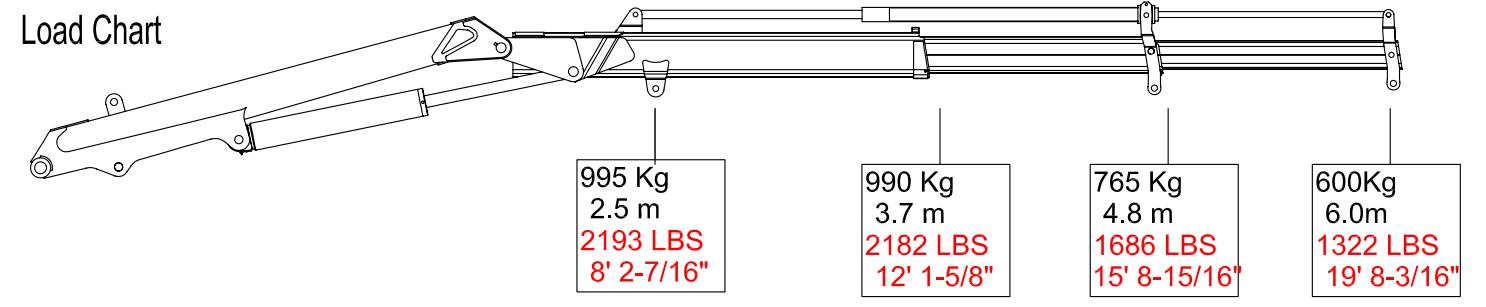
**Standard Features**

- Built according to DIN 15018-H1-B3 standards.
- Crane structure is sandblasted and metallized.
- Double coat of primer and two layers of paint.
- Special cylinders with Ni-Cr piston rods for marine environments.
- Female fittings in stainless steel, and male fittings in carbon steel.
- Stainless steel hydraulic installation pipes and hoses, except for control valve and tube fittings.
- Hoses with rubber "type A" double coat.
- Wheel-rack slewing system, via cylinders, with bronze bushings.
- Safety valves on the cylinders.
- Emergency stop button.

**Optional Features**

- Hydraulic winch
- Manual extensions
- Remote control
- Auxiliary hydraulic intakes
- Cab

Load Chart



PROPRIETARY AND CONFIDENTIAL  
THE INFORMATION CONTAINED IN THIS DRAWING IS THE SOLE PROPERTY OF DMW MARINE GROUP, LLC. ANY REPRODUCTION IN PART OR AS A WHOLE WITHOUT THE WRITTEN PERMISSION OF DMW MARINE GROUP, LLC IS PROHIBITED.

UNLESS OTHERWISE SPECIFIED:	NAME	DATE
DIMENSIONS ARE IN MILLIMETERS	JL	6/5/14
TOLERANCES: FRACTIONAL ±	CHECKED	DW
ANGULAR MATCH ± BEND ±	ENG APPR.	
TWO PLACE DECIMAL ±	MFG APPR.	
THREE PLACE DECIMAL ±	J.A.	
INTERPRET GEOMETRIC TOLERANCING PER:	COMMENTS:	
FIRST ANGLE PROJECTION		

DMW MARINE GROUP, LLC CHESTER SPRING, PA	
TITLE: <b>MODEL M40.90A2 MARINE CRANE</b>	
SIZE/DWG. NO. <b>D DMW-M40-90A2</b>	REV -
SCALE=NTS	WEIGHT: 770 Kg SHEET 1 OF 1