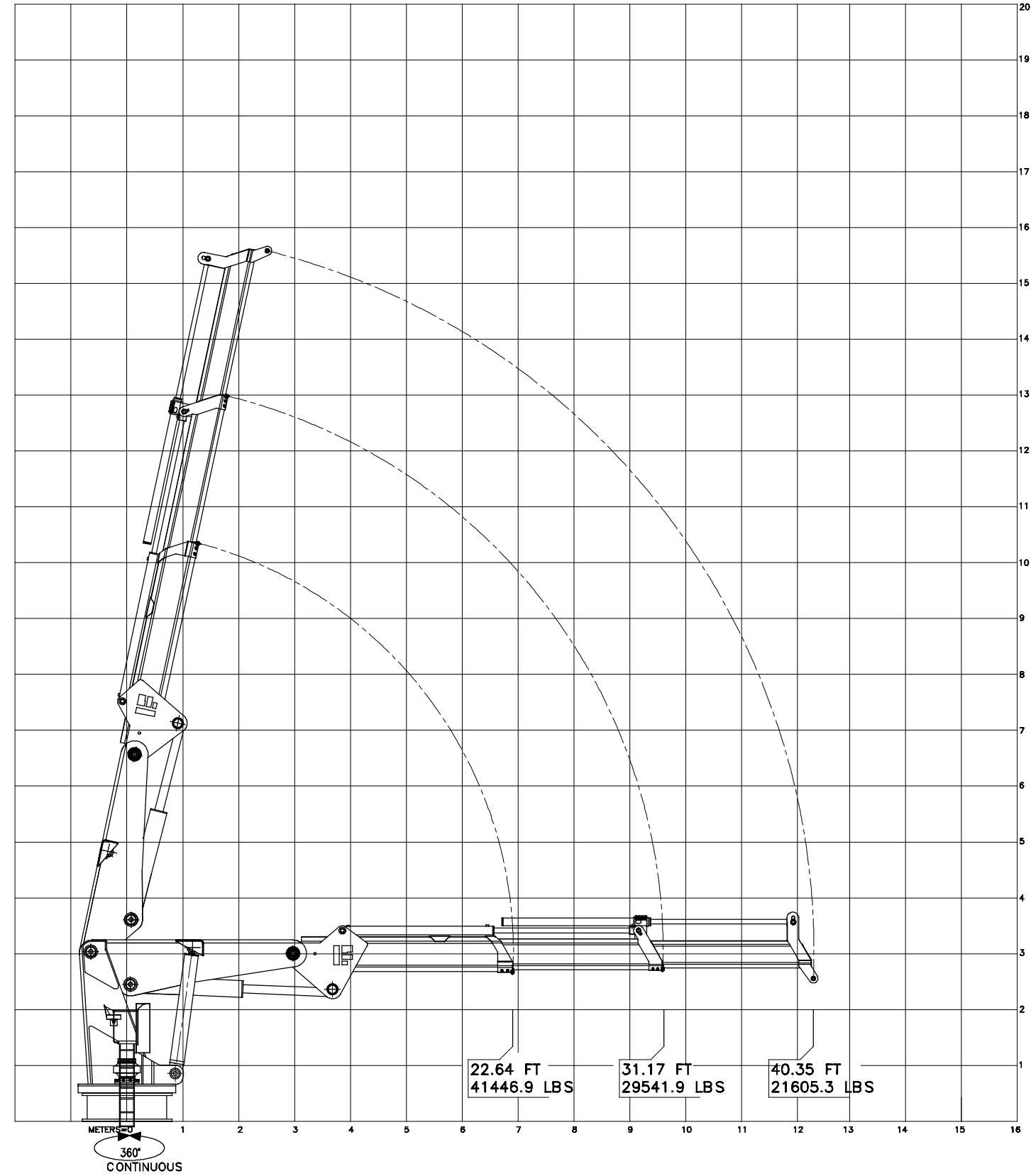
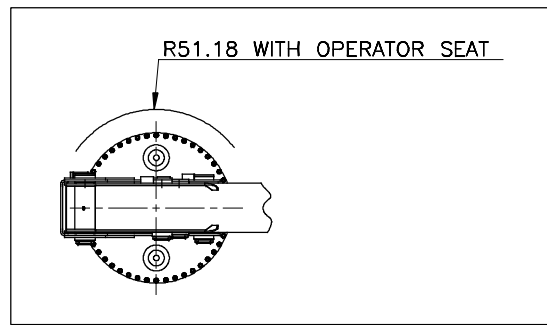
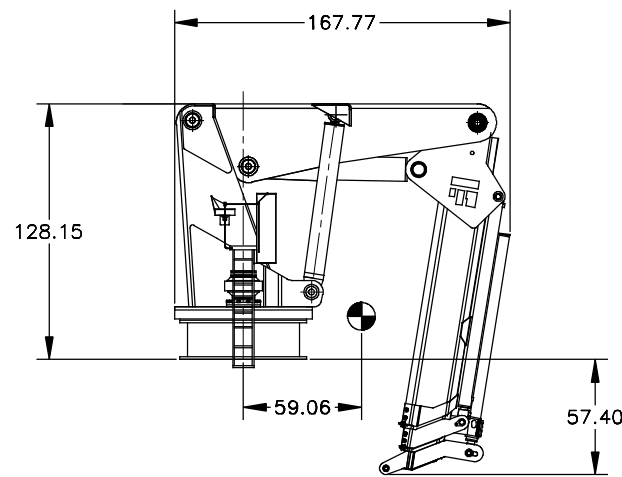
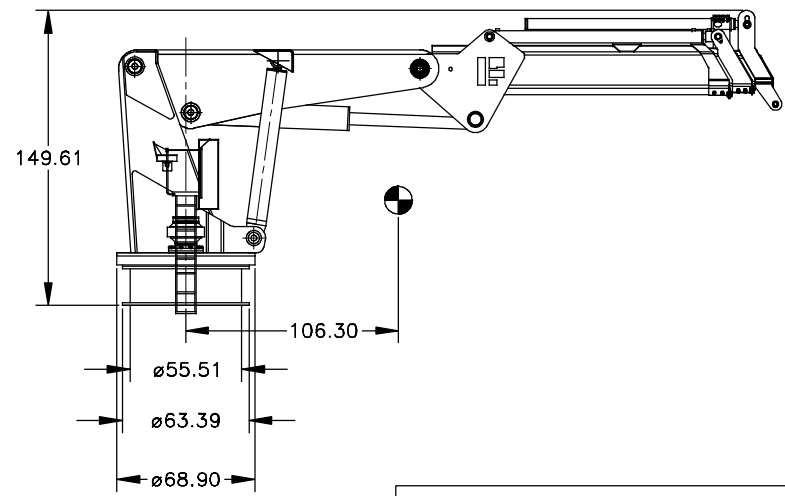
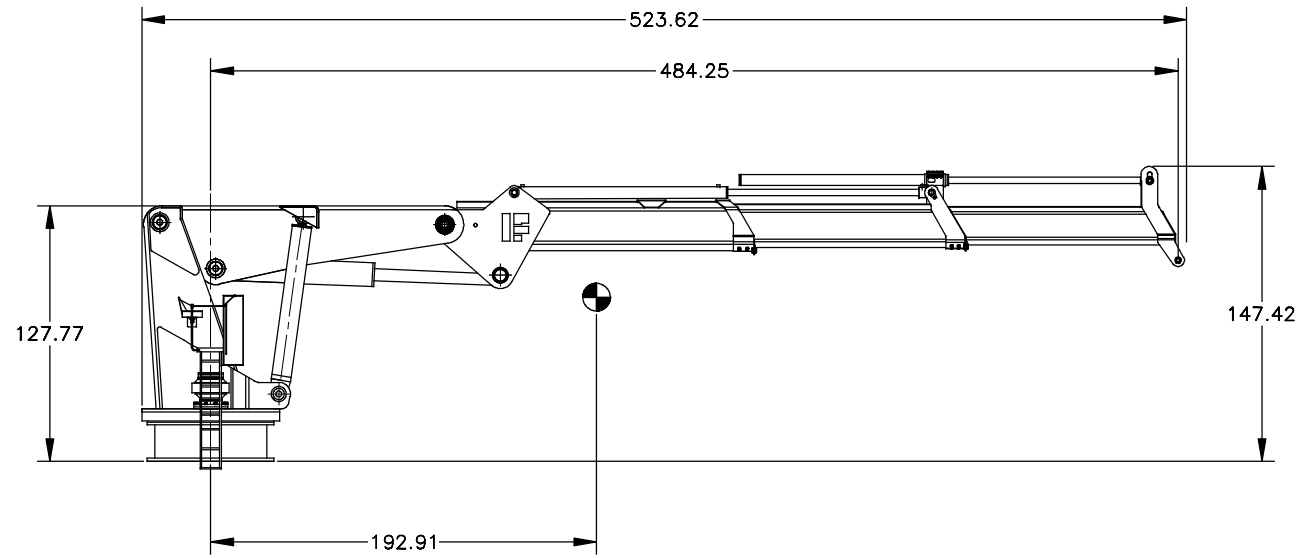


ZONE		REV	REVISION HISTORY	DATE	APP'D
			DESCRIPTION		



UNLESS OTHERWISE SPECIFIED:	NAME	DATE
DIMENSIONS ARE IN INCHES		
TOLERANCES:		
FRACTIONAL ±		
ANGULAR: MACH ±		
TWO PLACE DECIMAL ±		
THREE PLACE DECIMAL ±		
INTERPRET GEOMETRIC TOLERANCING PER:		
FINISH:		
THIRD ANGLE PROJECTION		

DRAWN		NAME		DATE	
CHECKED					
ENG APPR.					
MFG APPR.					
Q.A.					
COMMENTS:					
DMW MARINE GROUP, LLC CHESTER SPRINGS, PA					
TITLE: 16.0000 EX2 MARINE CRANE					
SIZE/DWG. NO.		REV			
D 16.0000 EX2		-			
SCALE: 1:48		WEIGHT:		SHEET 1 OF 1	

PROPRIETARY AND CONFIDENTIAL
THE INFORMATION CONTAINED IN THIS
DRAWING IS THE SOLE PROPERTY OF
DMW MARINE GROUP, LLC. ANY
REPRODUCTION IN PART OR AS A WHOLE
WITHOUT THE WRITTEN PERMISSION OF
DMW MARINE GROUP, LLC IS PROHIBITED.

REV 1
16.0000 EX2