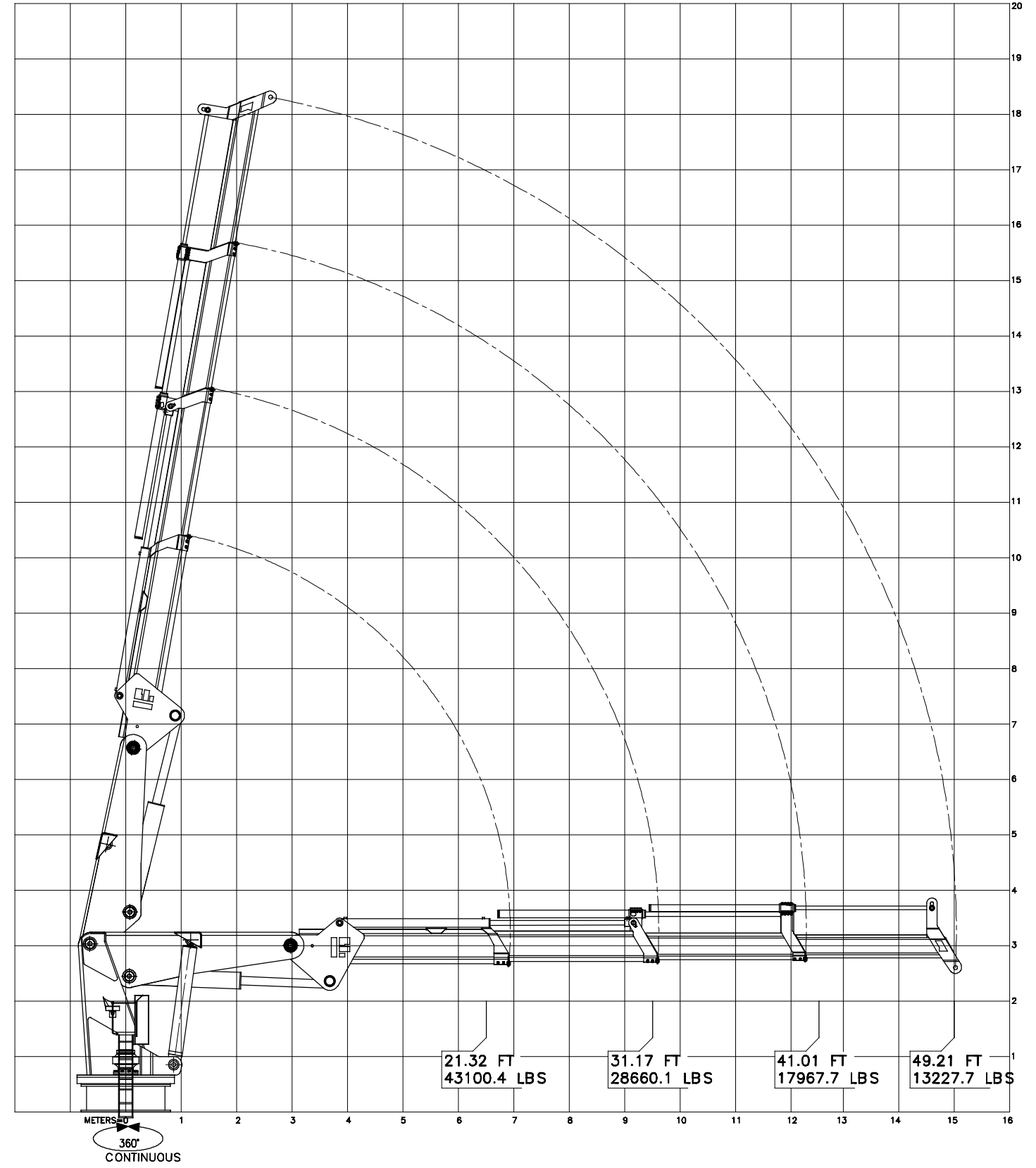
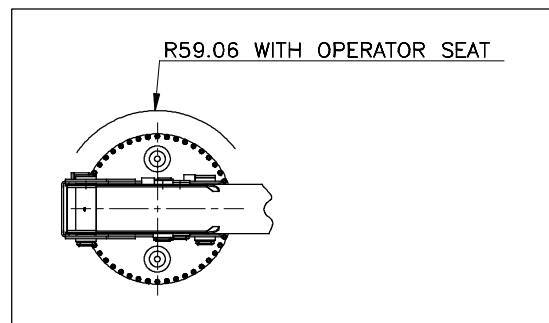
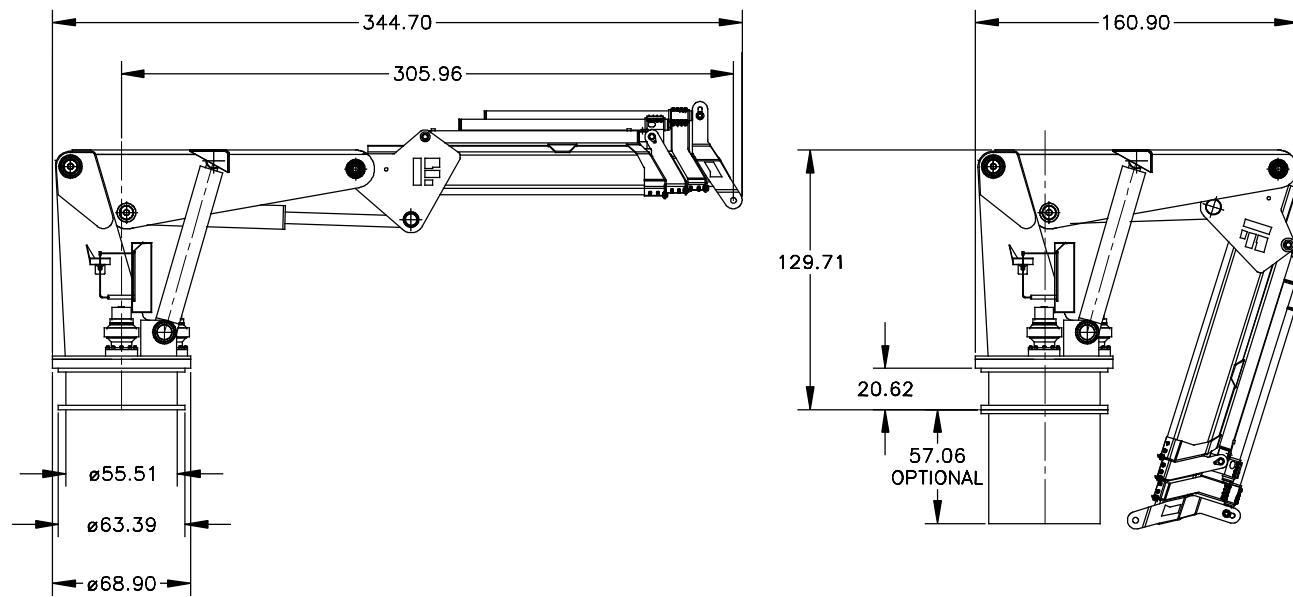
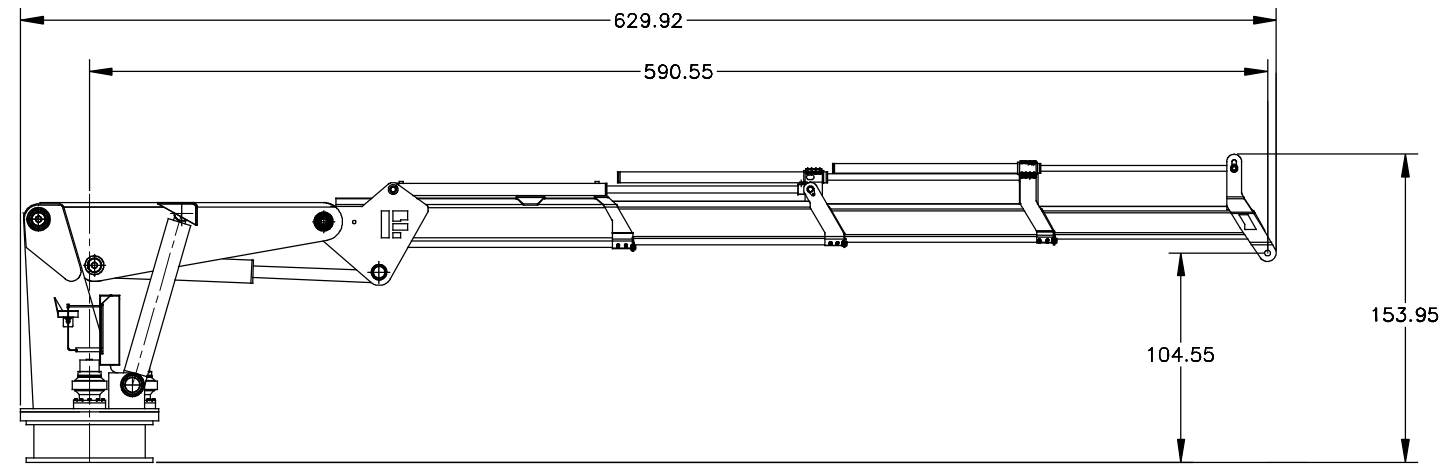


ZONE		REV	REVISION HISTORY	DATE	APP'D
			DESCRIPTION		



UNLESS OTHERWISE SPECIFIED:
 DIMENSIONS ARE IN INCHES
 TOLERANCES:
 FRACTIONAL ±
 ANGULAR BACH ±
 BEND ±
 TWO PLACE DECIMAL ±
 THREE PLACE DECIMAL ±

INTERPRET GEOMETRIC TOLERANCING PER:
 FINISH:
 THIRD ANGLE PROJECTION

NAME	DATE
DRAWN	
CHECKED	
ENG APPR.	
MFG APPR.	
Q.A.	
COMMENTS:	

DMW MARINE GROUP, LLC
 CHESTER SPRINGS, PA

TITLE:
**16.0000 EX3
 MARINE CRANE**

SIZE/DWG. NO.
D 16.0000 EX3

SCALE: 1:48 WEIGHT: SHEET 1 OF 1

REV 1
 16.0000 EX3