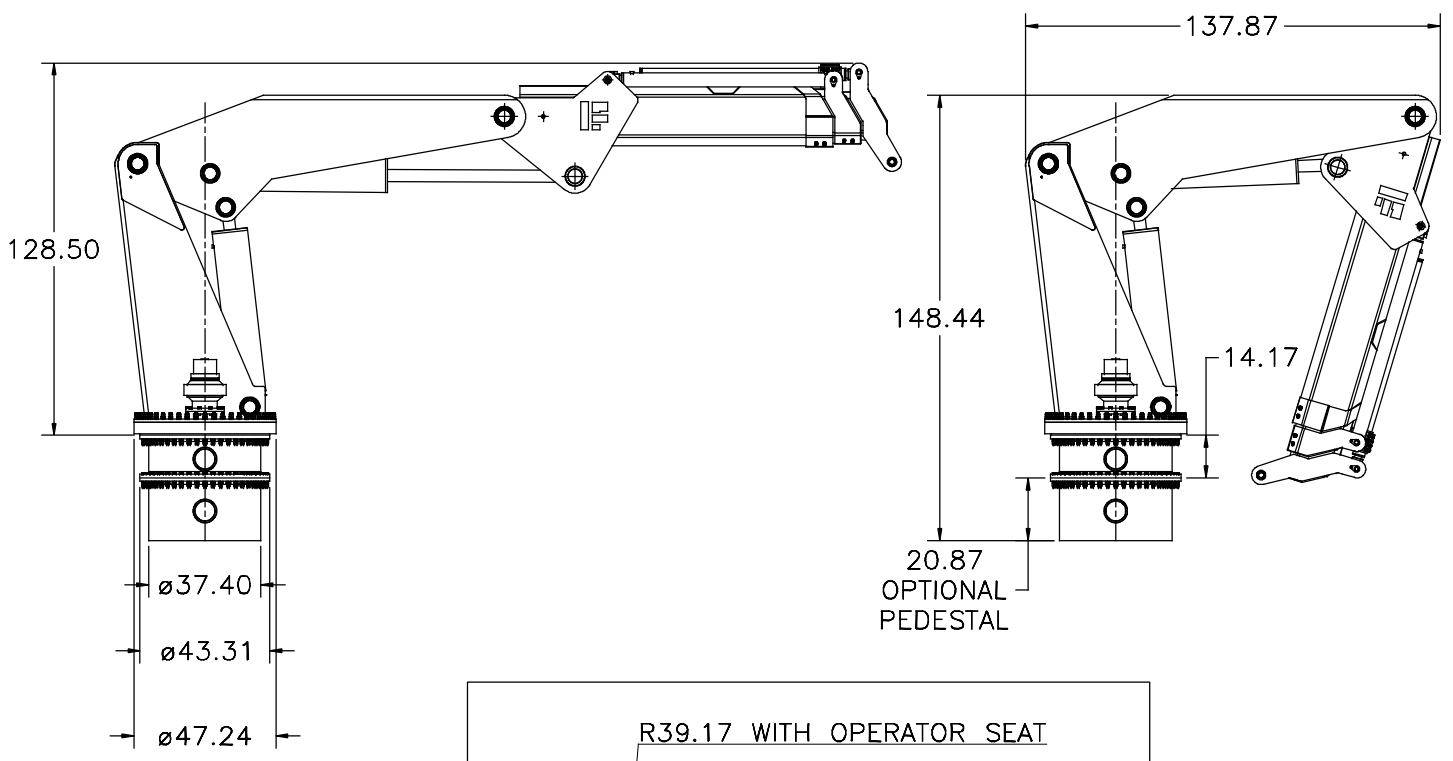
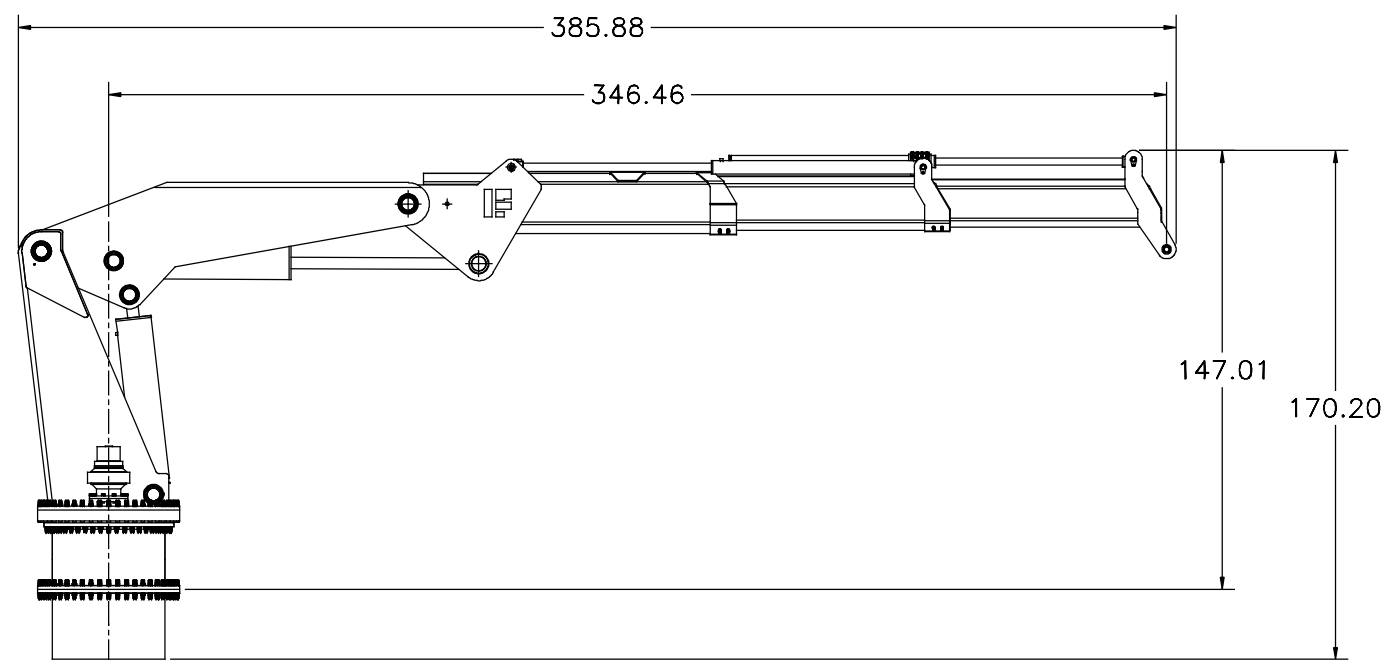
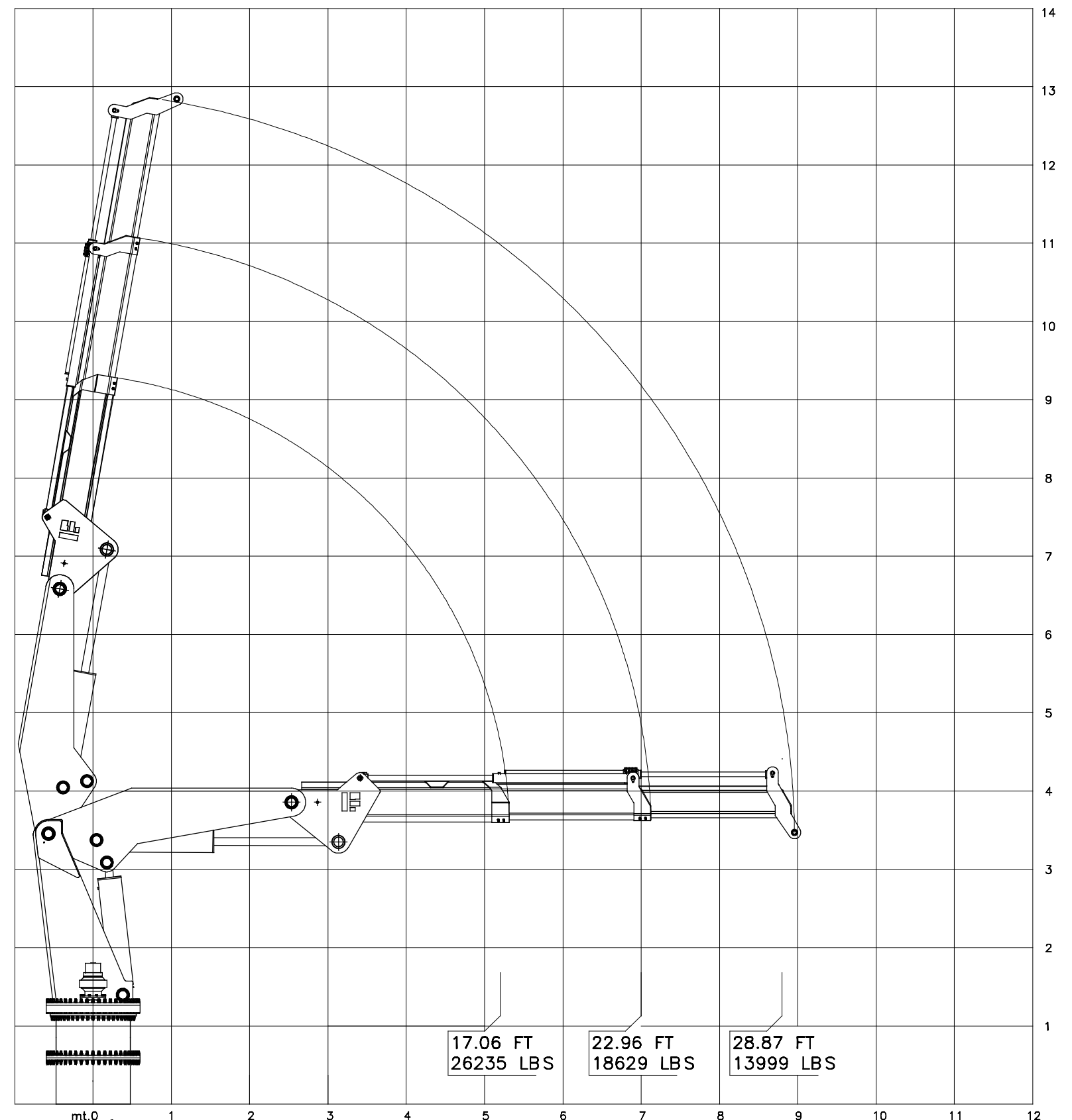
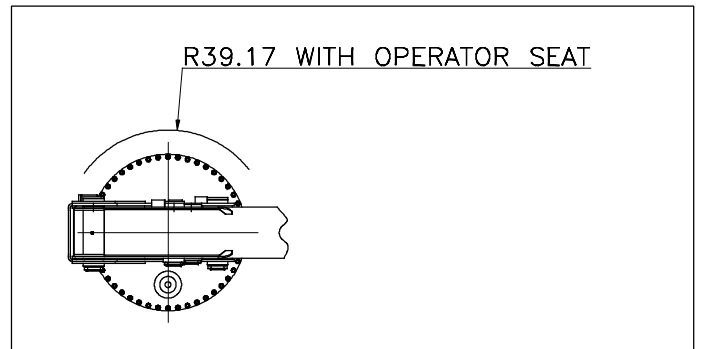


REVISION HISTORY				
ZONE	REV	DESCRIPTION	DATE	APP'D



20.87  
OPTIONAL  
PEDESTAL



mt 0  
360°  
CONTINUOUS

UNLESS OTHERWISE SPECIFIED: DIMENSIONS ARE IN INCHES TOLERANCES: FRACTIONAL ± ANGULAR BACH ± TWO PLACE DECIMAL ± THREE PLACE DECIMAL ±	DRAWN	NAME	DATE
	CHECKED		
	ENG APPR.		
	MFG APPR.		
INTERPRET GEOMETRIC TOLERANCING PER: FIRST:	Q.A.		
THIRD ANGLE PROJECTION	COMMENTS:		

DMW MARINE GROUP, LLC CHESTER SPRING, PA	
TITLE: MODEL 60.000 EX2 MARINE CRANE	
SIZE/DWG. NO. D 60.000 EX2	REV -
SCALE: 1:32	WEIGHT: SHEET 1 OF 1

PROPRIETARY AND CONFIDENTIAL  
THE INFORMATION CONTAINED IN THIS  
DRAWING IS THE SOLE PROPERTY OF  
DMW MARINE GROUP, LLC. ANY  
REPRODUCTION IN PART OR AS A WHOLE  
WITHOUT THE WRITTEN PERMISSION OF  
DMW MARINE GROUP, LLC IS PROHIBITED.