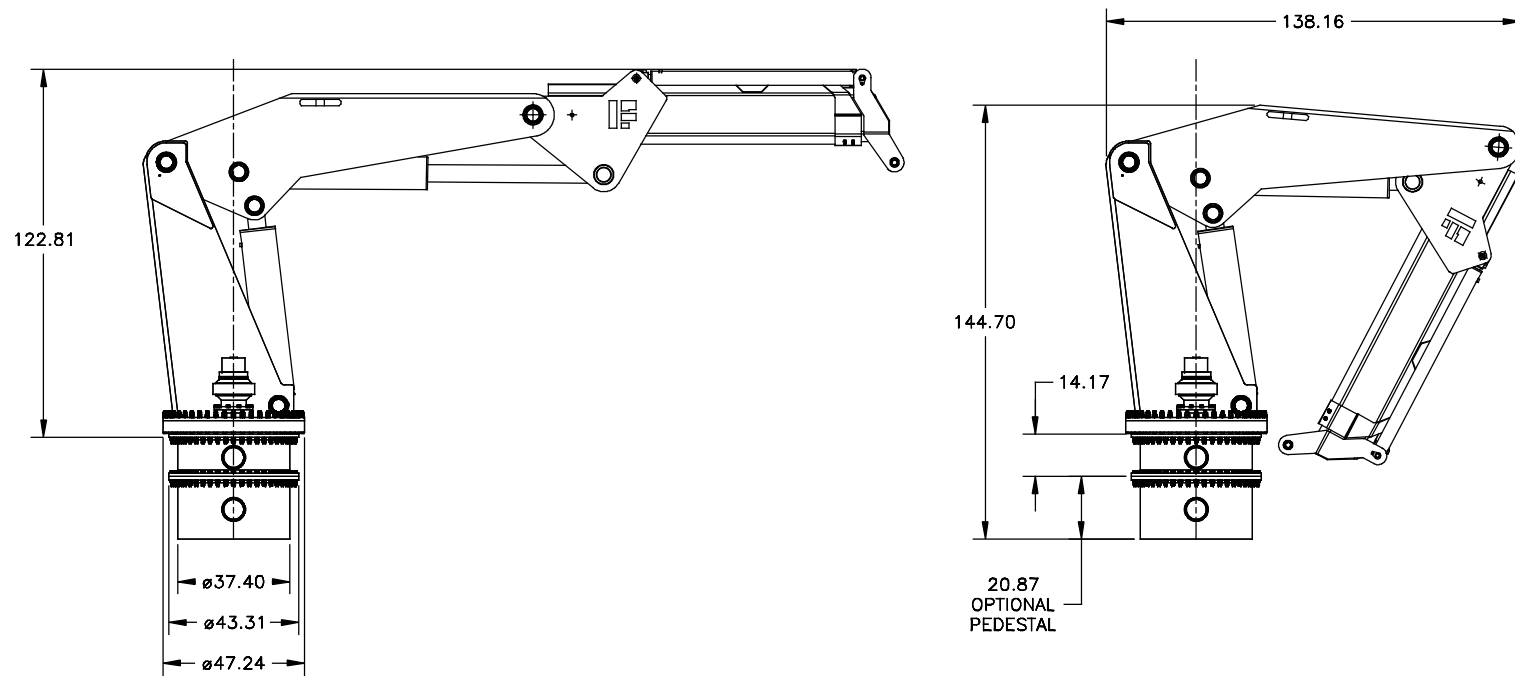
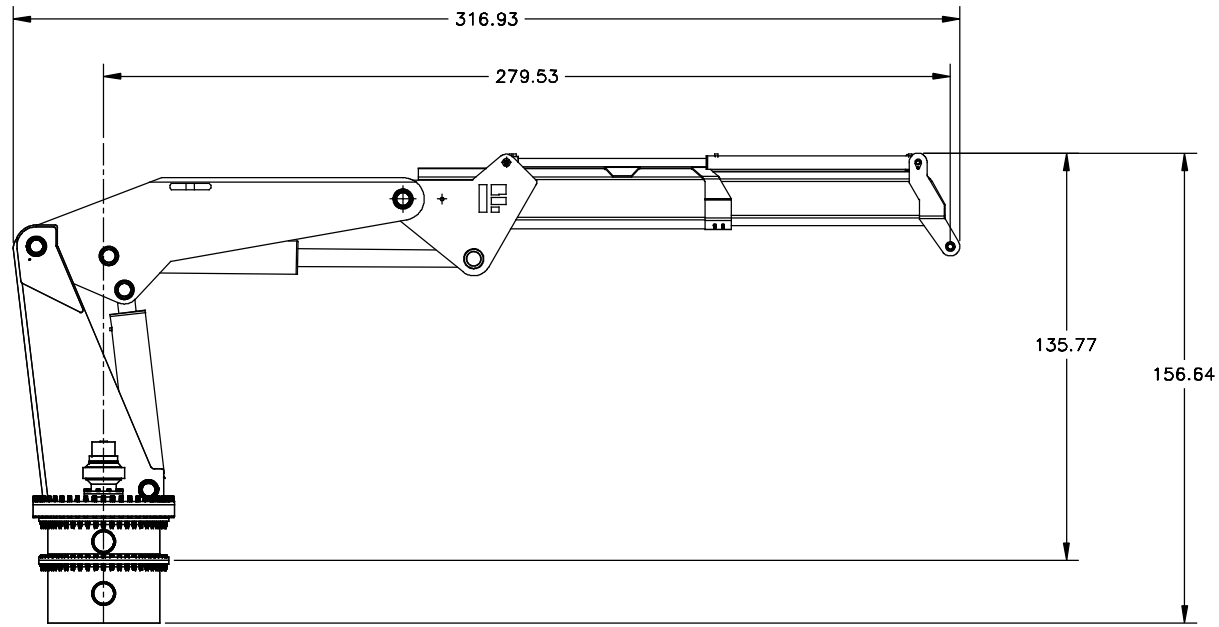
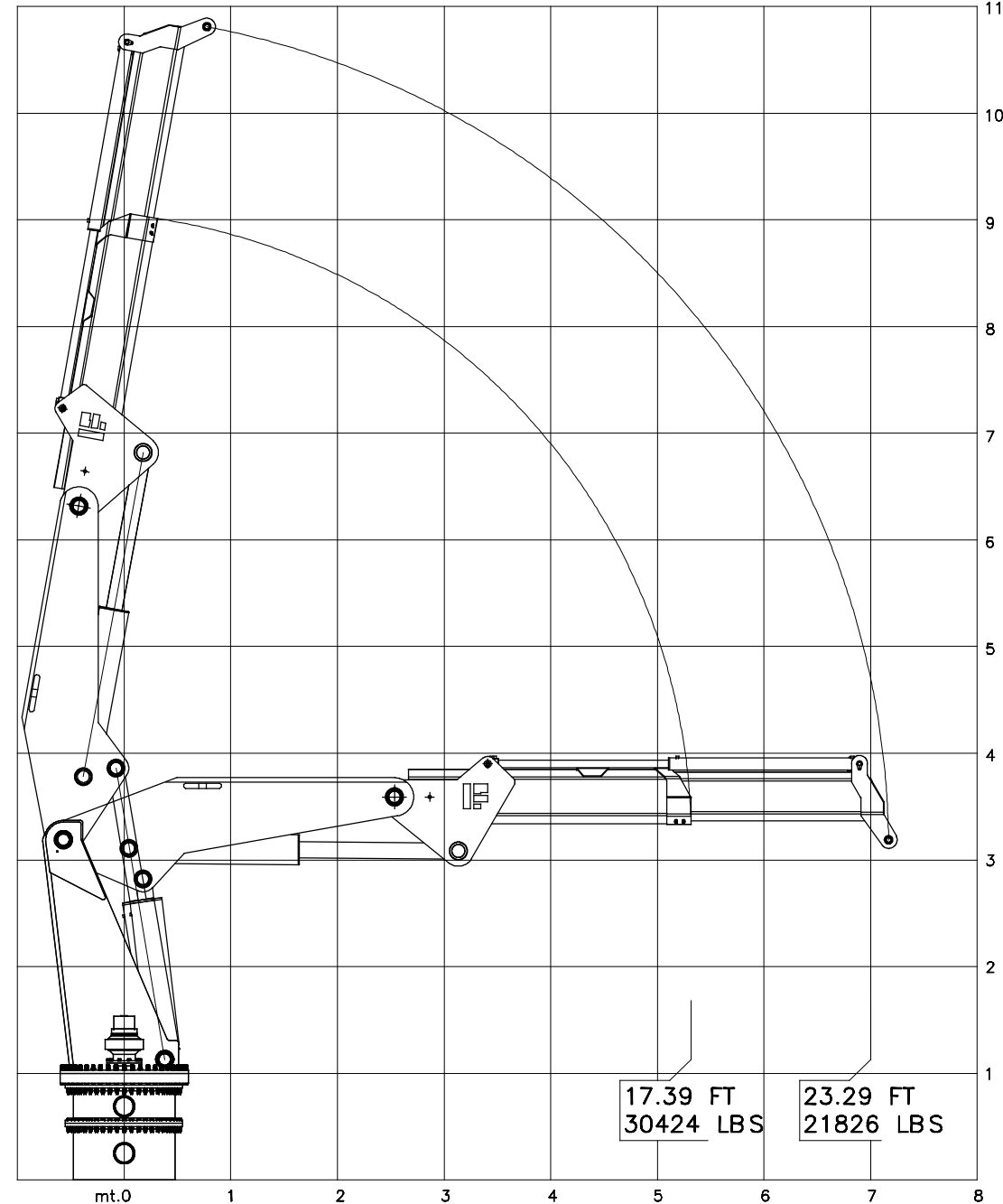
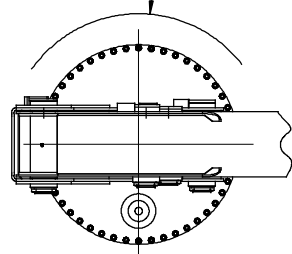


REVISION HISTORY				
ZONE	REV	DESCRIPTION	DATE	APP'D



R47.24 WITH OPERATOR SEAT



360°
CONTINUOUS

UNLESS OTHERWISE SPECIFIED:		NAME	DATE
DIMENSIONS ARE IN INCHES		RJS	3/9/12
TOLERANCES:		CHECKED	
FRACTIONAL ±		ENG APPR.	
ANGULAR BACH ± BEND ±		MFG APPR.	
TWO PLACE DECIMAL ±		Q.A.	
THREE PLACE DECIMAL ±		COMMENTS:	
INTERPRET GEOMETRIC TOLERANCING PER:			
FINISH:			
THIRD ANGLE PROJECTION			

PROPRIETARY AND CONFIDENTIAL
THE INFORMATION CONTAINED IN THIS
DRAWING IS THE SOLE PROPERTY OF
DMW MARINE GROUP, LLC. ANY
REPRODUCTION IN PART OR AS A WHOLE
WITHOUT THE WRITTEN PERMISSION OF
DMW MARINE GROUP, LLC IS PROHIBITED.

DMW MARINE GROUP, LLC CHESTER SPRINGS, PA	
TITLE: MODEL 75.000 EX1 MARINE CRANE	
SIZE: DWG. NO. D DMW75.000 EX1	REV -
SCALE: 1:48	WEIGHT: SHEET 1 OF 1

REV
D DMW75.000 EX1