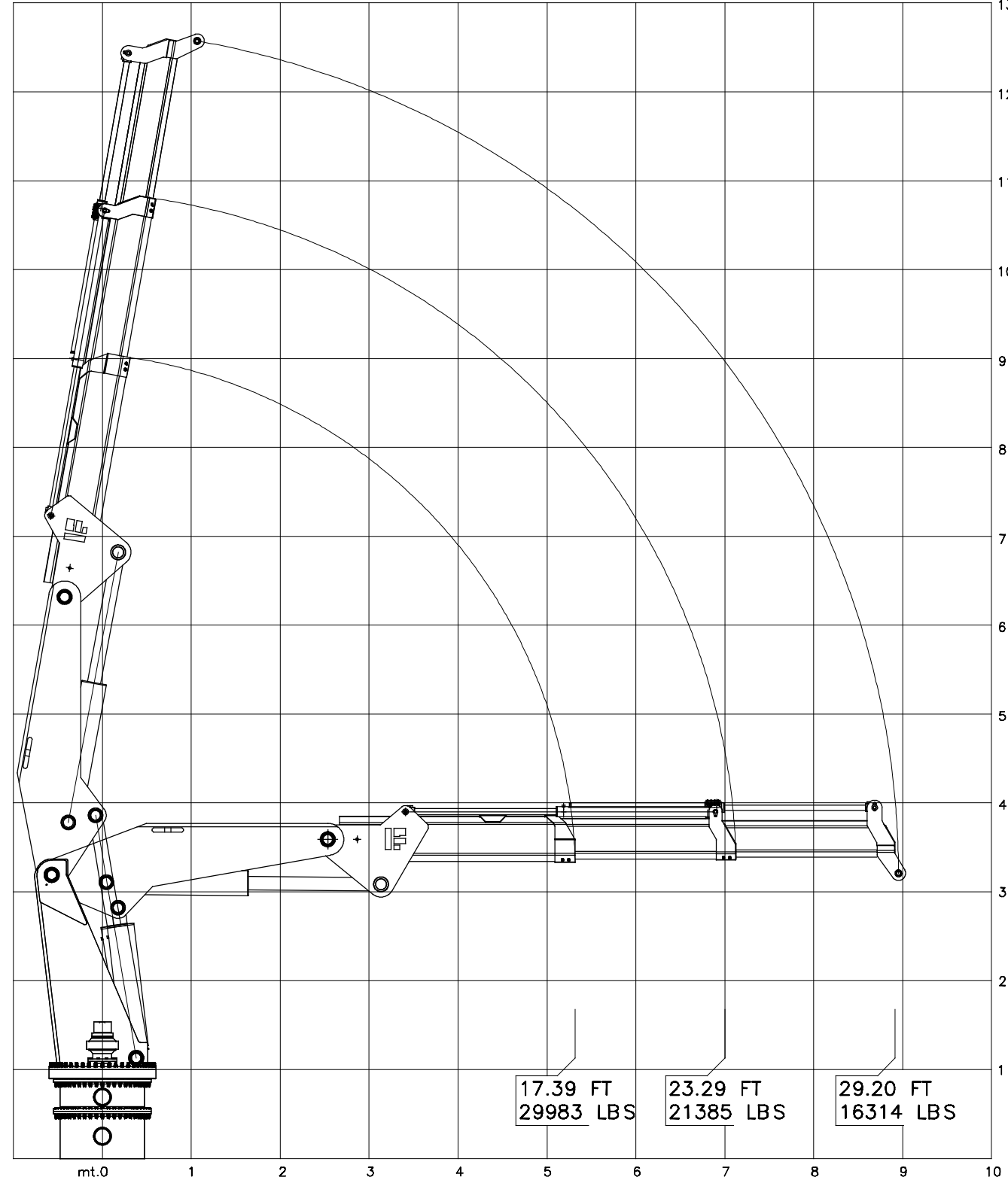
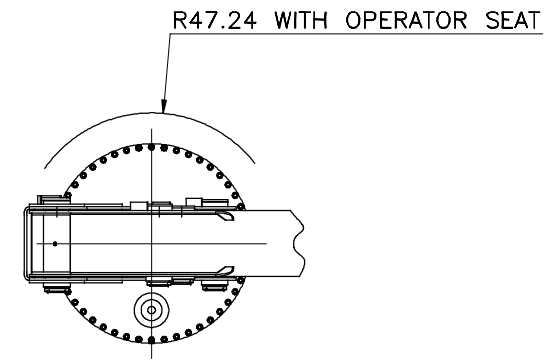
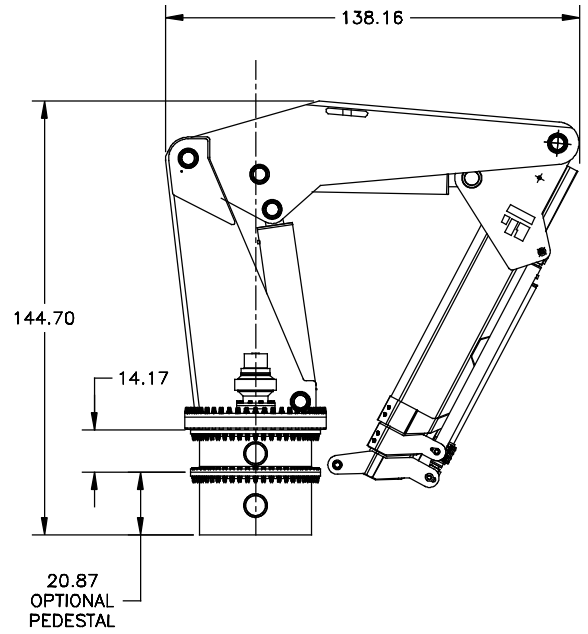
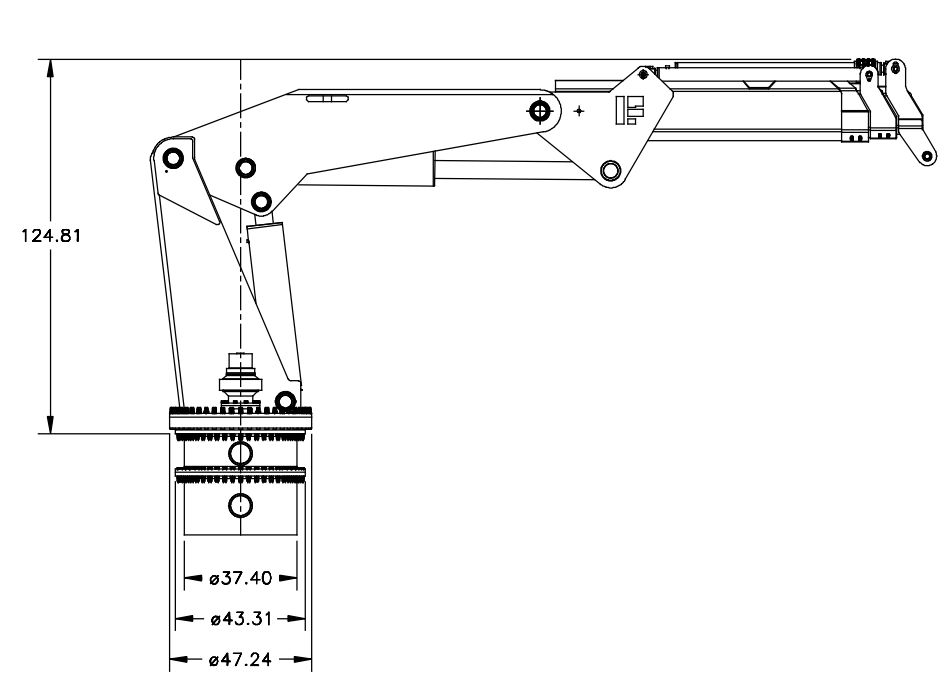
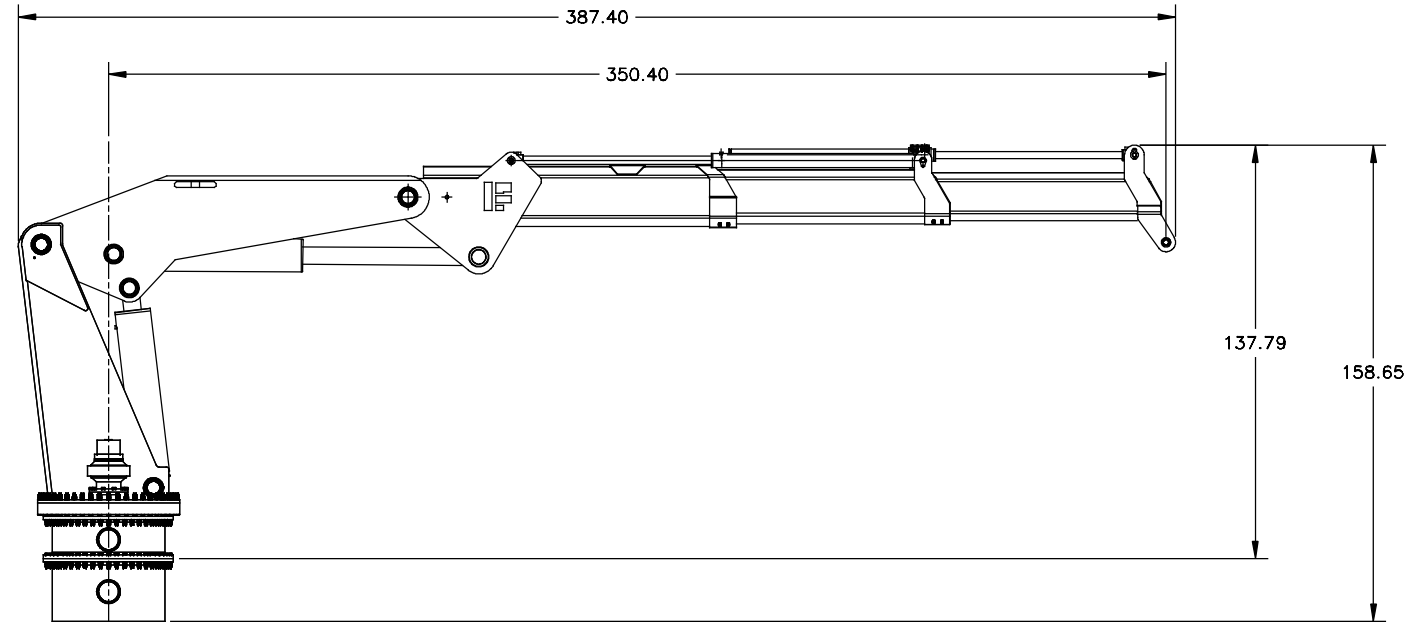


REVISION HISTORY				
ZONE	REV	DESCRIPTION	DATE	APP'D



360°  
CONTINUOUS

UNLESS OTHERWISE SPECIFIED:	NAME	DATE
DIMENSIONS ARE IN INCHES	RJS	3/9/12
TOLERANCES:		
FRACTIONAL ±		
ANGULAR: MACH ±		
BEND ±		
TWO PLACE DECIMAL ±		
THREE PLACE DECIMAL ±		
FINISH:		
INTERPRET GEOMETRIC TOLERANCING PER:		
THIRD ANGLE PROJECTION		

DMW MARINE GROUP, LLC CHESTER SPRINGS, PA	
TITLE: MODEL 75.000 EX2 MARINE CRANE	
SIZE: DWG. NO. D DMW75.000 EX2	REV -
SCALE: 1:48	WEIGHT: SHEET 1 OF 1

PROPRIETARY AND CONFIDENTIAL  
THE INFORMATION CONTAINED IN THIS  
DRAWING IS THE SOLE PROPERTY OF  
DMW MARINE GROUP, LLC. ANY  
REPRODUCTION IN PART OR AS A WHOLE  
WITHOUT THE WRITTEN PERMISSION OF  
DMW MARINE GROUP, LLC IS PROHIBITED.



REV 1  
D DMW75.000 EX2