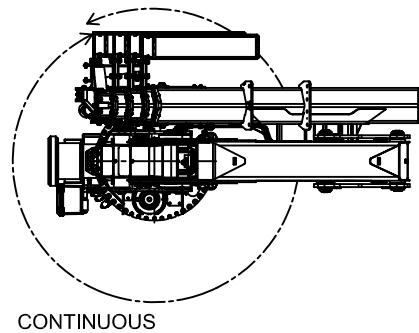
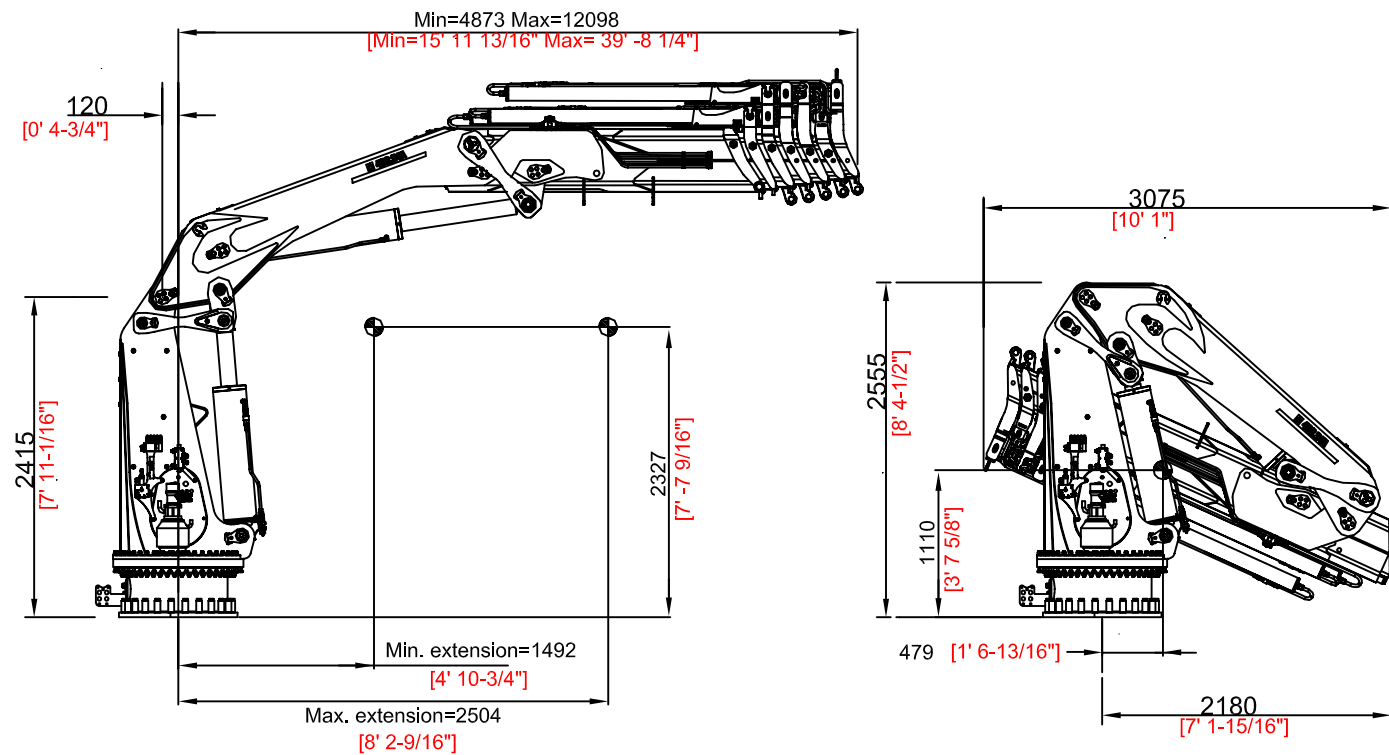
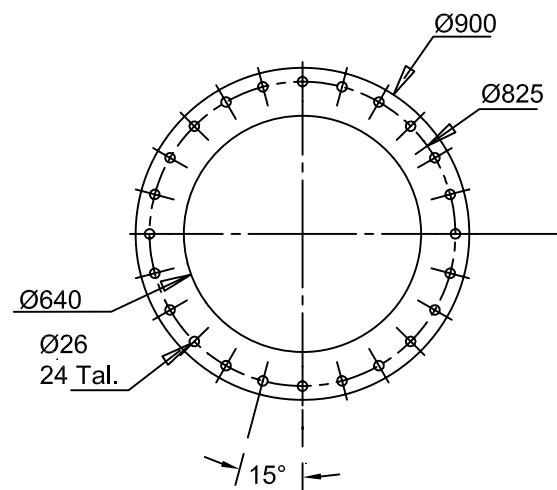


| REVISION HISTORY | | | | |
|------------------|-----|-------------|---------|-------|
| ZONE | REV | DESCRIPTION | DATE | APP'D |
| | | RELEASE DWG | 5/23/14 | DMW |

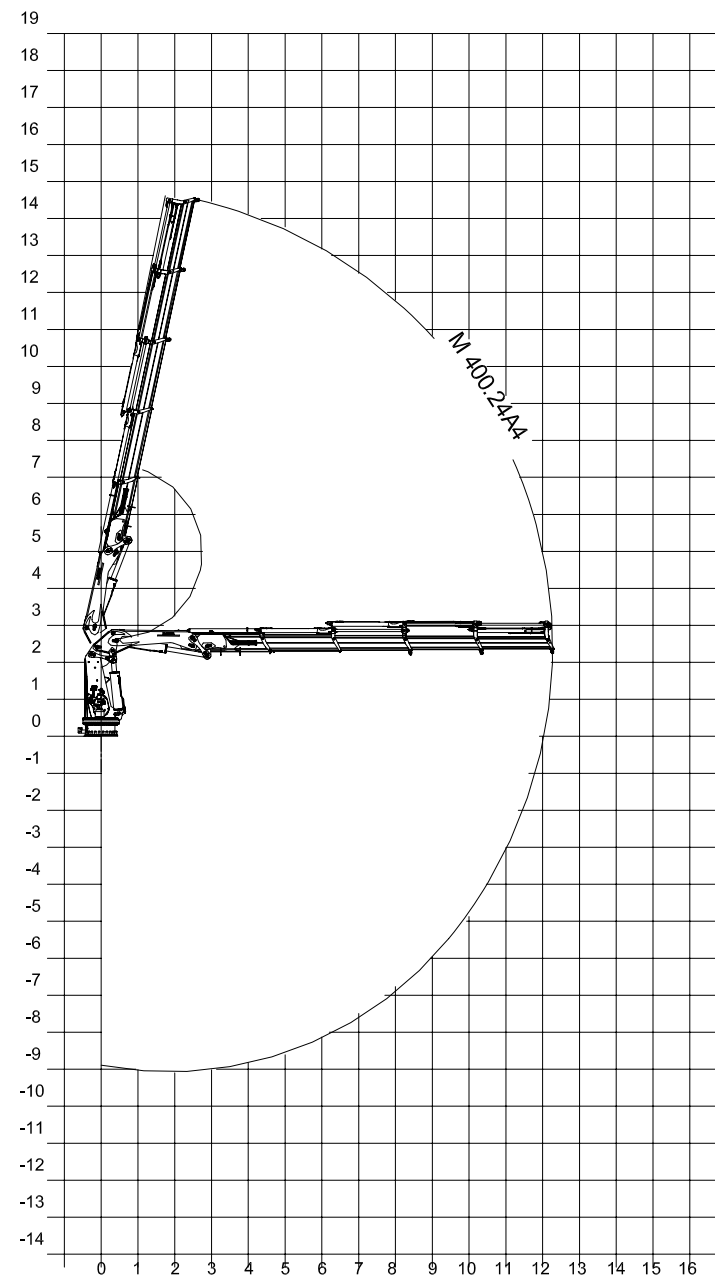
Retracted and Parked Views



Mounting Base Dimensions (1:10 Scale)



Positions Diagram (1:80 Scale)



Technical Data

| | |
|-----------------------------------|------------------------------|
| Gross Lifting Moment | 360.3 kNm [265743 Lbf FT] |
| Maximum Lifting Dynamic Moment | 491.5 kNm [362511.2 Lbf FT] |
| Max Hydraulic Horizontal Outreach | 12.2 m [40' -5/16"] |
| Slewing Angle | Continuous |
| Max Rotational Torque | 45.1 kNm [33263.99 LBf FT] |
| Recommended Volume of Oil in Tank | 180 L [47.55 Gallons] |
| Max Working Oil Pressure | 280 bar [4061 PSI] |
| Recommended Pump Delivery | 70 L/min [18.49 Gallons/Min] |
| Electrical Power Requirement | 32.6 kW / 44.4 CV |
| Weight of Standard Crane | 4190 kg [9237.2 LBF] |

Mounting Base Installation

| | |
|----------------------------|----------------------|
| Quantity of Bolts Required | 24 |
| Thread Pitch and Class | M24 x 160 Class 10.9 |

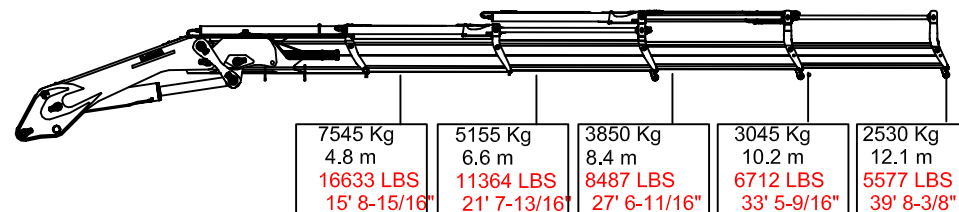
Standard Features

- Built according to DIN 15018-H1-B3 standards.
- Crane structure is sandblasted and metallized.
- Double coat of primer and two layers of paint.
- Special cylinders with Ni-Cr piston rods for marine environments.
- Female fittings in stainless steel, and male fittings in carbon steel.
- Stainless steel hydraulic installation pipes.
- Hoses with rubber "Type A" double coat.
- Crown Wheel-bearing slewing system, actuated by motor reducers.
- Safety valves on the cylinders.
- Hydraulic load limiter.
- Emergency stop button.

Optional Features

- Hydraulic winch
- Manual extensions
- Remote control
- Auxiliary hydraulic intakes
- Cab

Load Chart



PROPRIETARY AND CONFIDENTIAL
THE INFORMATION CONTAINED IN THIS DRAWING IS THE SOLE PROPERTY OF DMW MARINE GROUP, LLC. ANY REPRODUCTION IN PART OR AS A WHOLE WITHOUT THE WRITTEN PERMISSION OF DMW MARINE GROUP, LLC IS PROHIBITED.

| | | |
|--------------------------------------|-----------|---------|
| UNLESS OTHERWISE SPECIFIED: | NAME | DATE |
| DIMENSIONS ARE IN MILLIMETERS | JSL | 5/23/14 |
| TOLERANCES: | CHECKED | DW |
| FRACTIONAL ± | ENG APPR. | |
| ANGULARS MACH ± BEND ± | MFG APPR. | |
| TWO PLACE DECIMAL ± | | |
| THREE PLACE DECIMAL ± | | |
| INTERPRET GEOMETRIC TOLERANCING PER: | | |
| FIRST ANGLE PROJECTION | | |

| | |
|---|------------------------------|
| DMW MARINE GROUP, LLC CHESTER SPRING, PA | |
| TITLE: MODEL M400.24A4 MARINE CRANE | |
| SIZE/DWG. NO. D DMW-M400-24A4 | REV - |
| SCALE=NTS | WEIGHT: 4190 Kg SHEET 1 OF 1 |