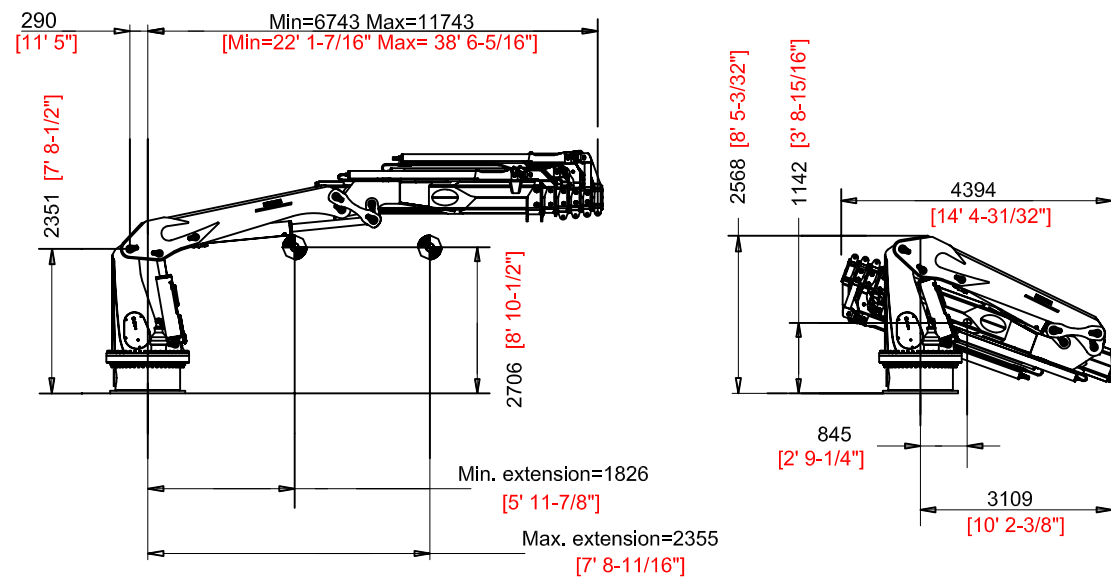
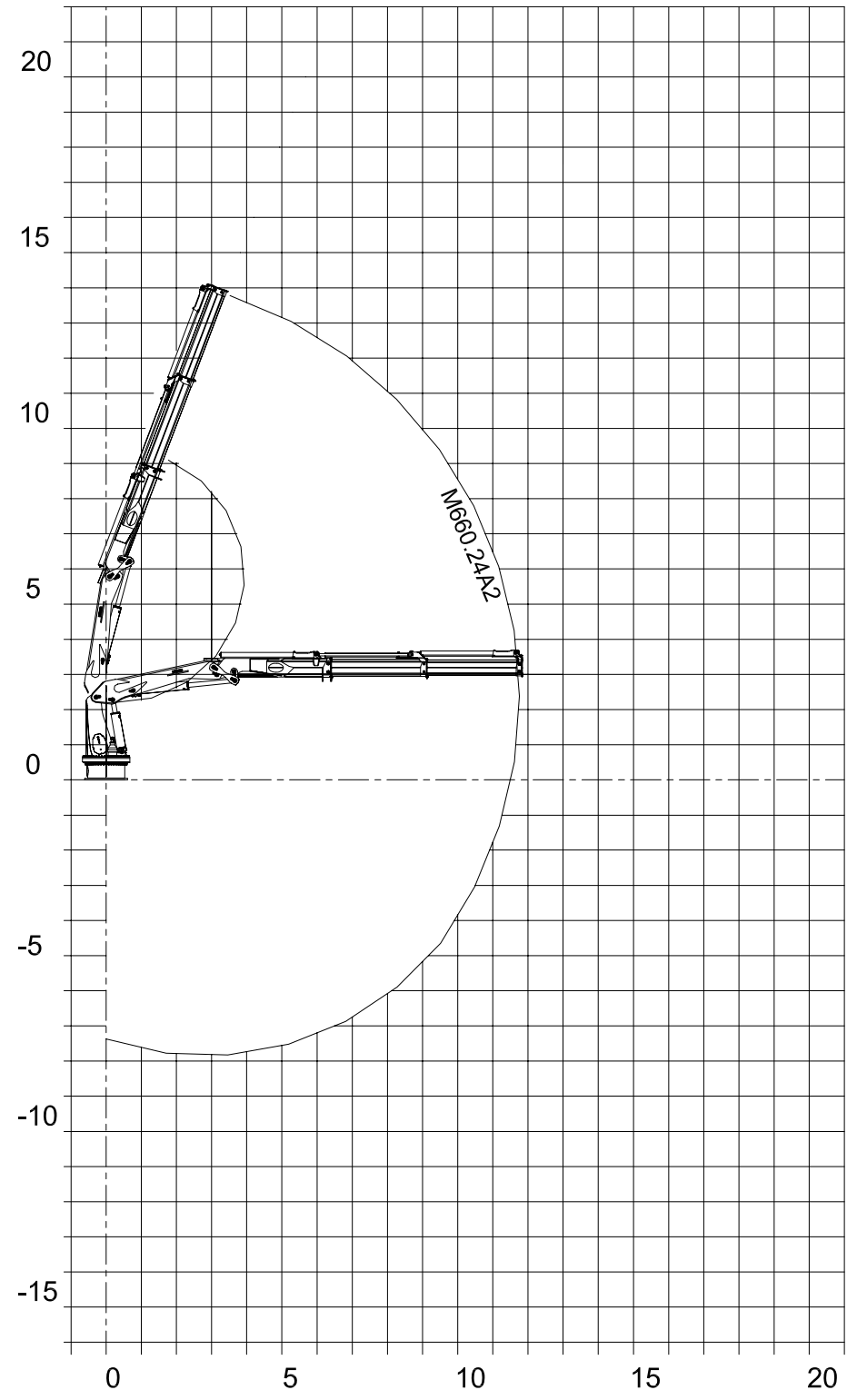


REVISION HISTORY				
ZONE	REV	DESCRIPTION	DATE	APP'D

Retracted and Parked Views (1:60 Scale)



Positions Diagram (1:100 Scale)



Technical Data

Gross Lifting Moment	641.7 kNm [473292.89 Lbf FT]
Maximum Lifting Dynamic Moment	908.0 kNm [669705.40 Lbf FT]
Max Hydraulic Horizontal Outreach	11.7 m [38' 4-5/8"]
Slewing Angle	360° CONTINUOUS
Max Rotational Torque	77.4 kNm [57087.21 LBF FT]
Recommended Volume of Oil in Tank	260 L [68.69 Gallons]
Max Working Oil Pressure	240 bar [3481 PSI]
Recommended Pump Delivery	100 L/min [26.64 Gallons/Min]
Electrical Power Requirement	40 kW / 54.3 CV
Weight of Standard Crane	6745 kg [14870 LBF]

Mounting Base Installation

Quantity of Bolts Required	32
Thread Pitch and Class	M27 .3mm Class 10.9

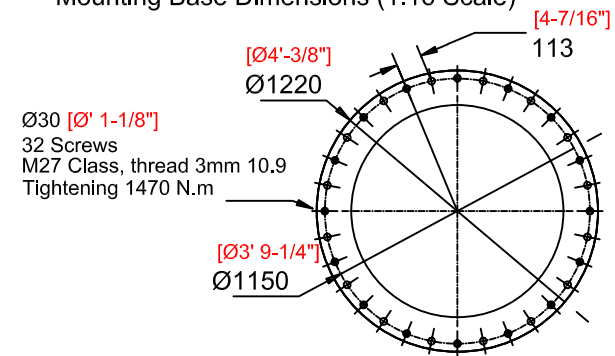
Standard Features

- Built according to DIN 15018-H1-B3 standards.
- Crane structure is sandblasted and metallized.
- Double coat of primer and two layers of paint.
- Special cylinders with Ni-Cr piston rods for marine environments.
- Female fittings in stainless steel, and male fittings in carbon steel.
- Stainless steel hydraulic installation pipes.
- Hoses with rubber "Type A" double coat.
- Crown Wheel-bearing slewing system, actuated by motor reducers.
- Safety valves on the cylinders.
- Hydraulic load limiter.
- Emergency stop button.

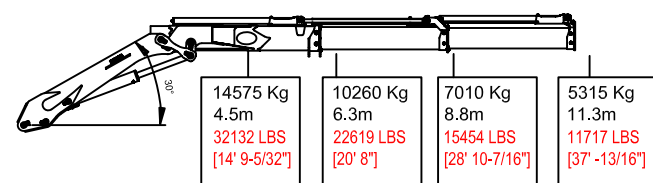
Optional Features

- Hydraulic winch
- Remote control
- Auxiliary hydraulic intakes
- Cab

Mounting Base Dimensions (1:16 Scale)



Load Chart (1:80 Scale)



PROPRIETARY AND CONFIDENTIAL
THE INFORMATION CONTAINED IN THIS DRAWING IS THE SOLE PROPERTY OF DMW MARINE GROUP, LLC. ANY REPRODUCTION IN PART OR AS A WHOLE WITHOUT THE WRITTEN PERMISSION OF DMW MARINE GROUP, LLC IS PROHIBITED.

UNLESS OTHERWISE SPECIFIED: DIMENSIONS ARE IN MILLIMETERS TOLERANCES: FRACTIONAL ± ANGULAR MACH ± BEND ± TWO PLACE DECIMAL ± THREE PLACE DECIMAL ±	DRAWN: JL 1/29/14 CHECKED: DW 1/29/14 ENG APPR: MFG APPR: Q.A. COMMENTS:	NAME: DMW MARINE GROUP, LLC DATE: 1/29/14
INTERPRET GEOMETRIC TOLERANCING PER: FIRST ANGLE PROJECTION		TITLE: MODEL M660.24A2 MARINE CRANE
		SIZE/DWG. NO. D DMW M660-24A2
		SCALE=1:40 WEIGHT: 6745 Kg SHEET 1 OF 1

DWG M660-24A2