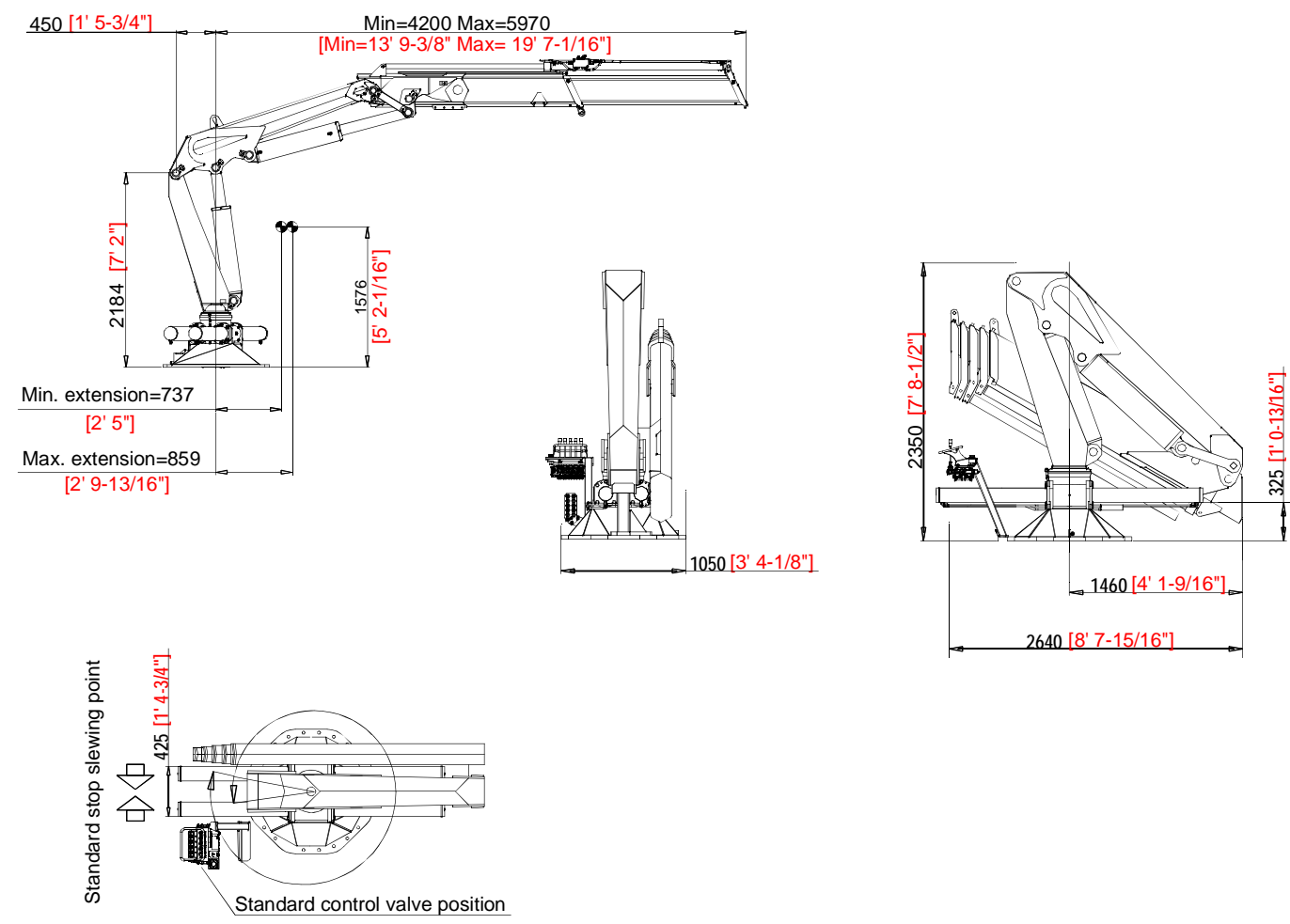
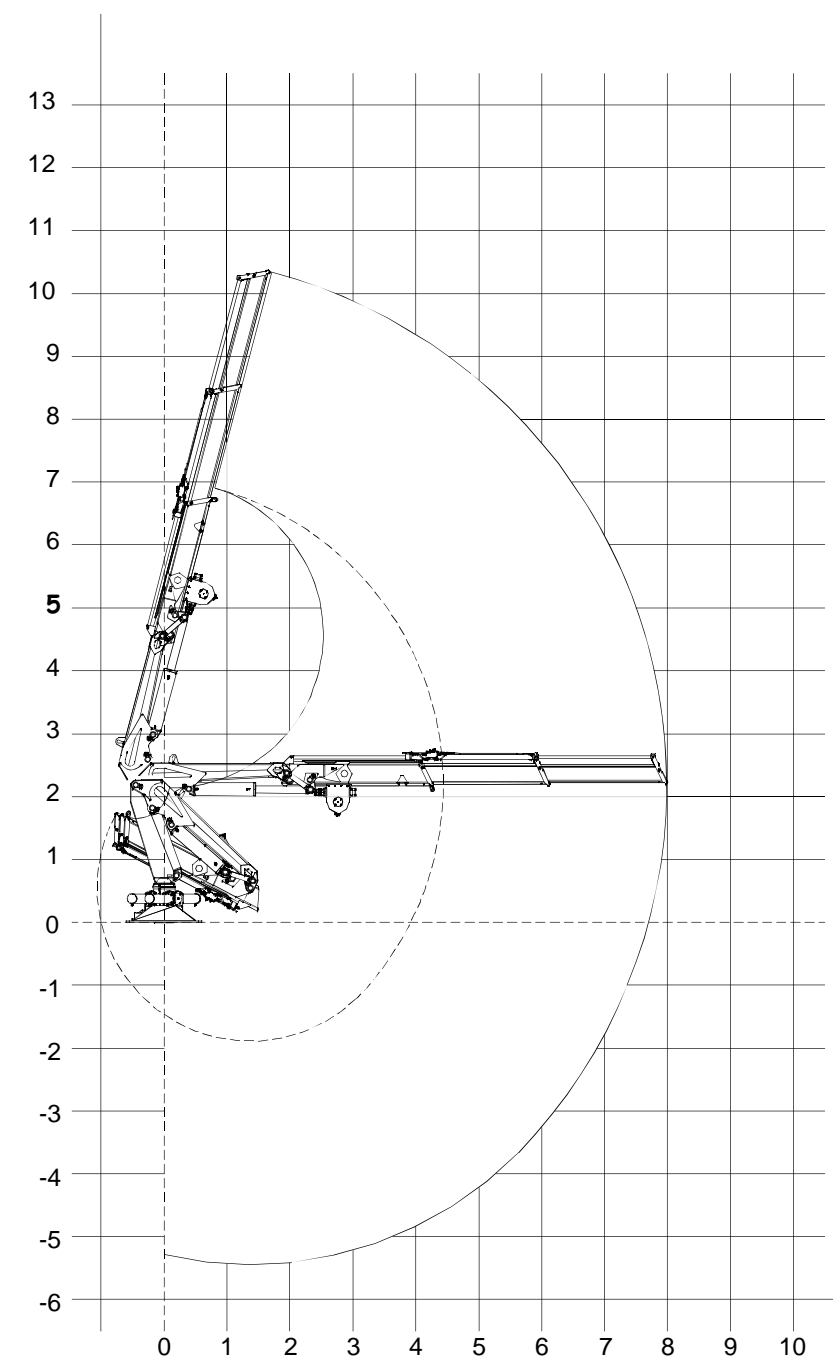


REVISION HISTORY				
ZONE	REV	DESCRIPTION	DATE	APP'D



Positions Diagram (1:60 Scale)



**Technical Data**

Gross Lifting Moment	173.4 kNm [127893.08 Lbf FT]
Maximum Lifting Dynamic Moment	246.4 kNm [181735.04 Lbf FT]
Max Hydraulic Horizontal Outreach	6.1 m [20' 0-3/16"]
Slewing Angle	409°
Max Rotational Torque	51.7 kNm [38131.91 Lbf FT]
Recommended Volume of Oil in Tank	115 L [30.38 Gallons]
Max Working Oil Pressure	210 bar [3146 PSI]
Recommended Pump Delivery	40 L/min [10.57 Gallons/Min]
Electrical Power Requirement	16.5 kW / 22.4 CV
Weight of Standard Crane	2475 kg [5456 LBF]

**Mounting Base Installation**

Quantity of Bolts Required	24
Thread Pitch and Class	M24 Class 8.8

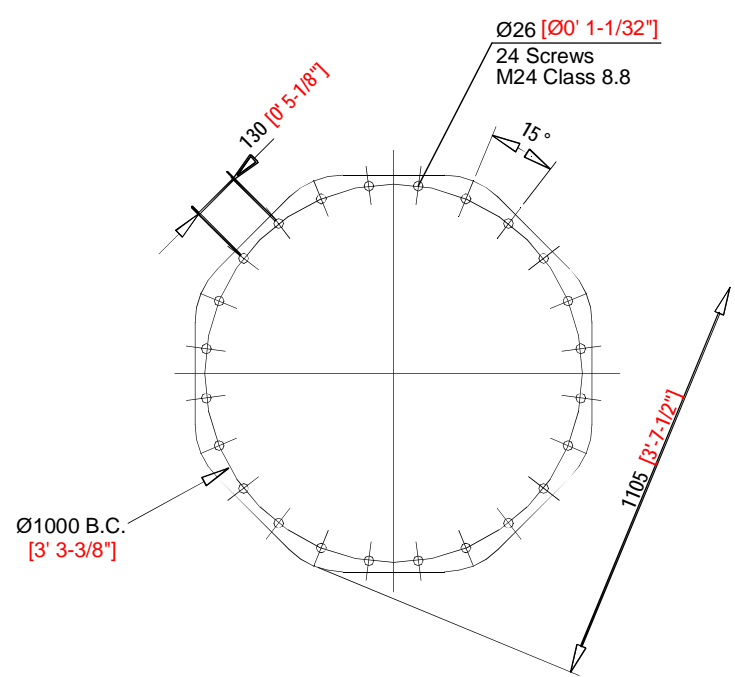
**Standard Features**

- Built according to DIN 15018-H1-B3 standards.
- Crane structure is sandblasted and metallized.
- Double coat of primer and two layers of paint.
- Special cylinders with Ni-Cr piston rods for marine environments.
- Female fittings in stainless steel, and male fittings in carbon steel.
- Stainless steel hydraulic installation pipes.
- Hoses with rubber "Type A" double coat.
- Wheel-rack slewing system, via cylinders, with bronze bushings.
- Safety valves on the cylinders.
- Hydraulic load limiter.
- Emergency stop button.

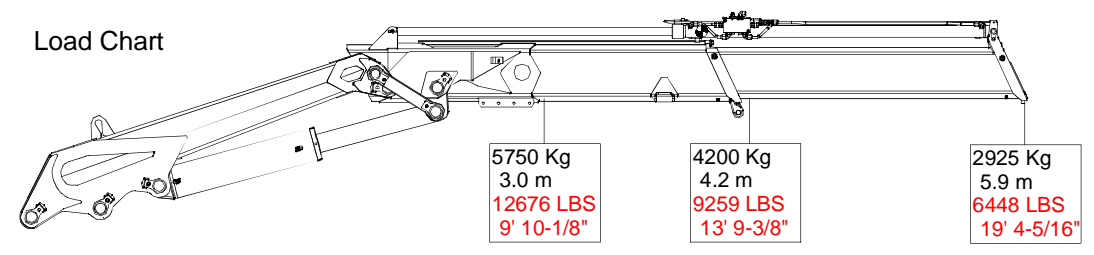
**Optional Features**

- Hydraulic winch
- Manual extensions
- Remote control
- Auxiliary hydraulic intakes
- Cab

Mounting Base Dimensions (1:10 Scale)



Load Chart



UNLESS OTHERWISE SPECIFIED:		NAME	DATE	DMW MARINE GROUP, LLC CRESTER SPRINGS, PA
DIMENSIONS ARE IN MILLIMETERS		RJS	9/28/13	
TOLERANCES:		CHECKED	DW	TITLE: <b>MODEL M170.90A1 MARINE CRANE</b>
FRACTIONAL ±		ENG APPR.		
ANGULAR: BACH ± BEND ±		MFG APPR.		
TWO PLACE DECIMAL ±		Q.A.		SIZE/DWG. NO. <b>D DMG M170.90A1</b>
THREE PLACE DECIMAL ±		COMMENTS:		
INTERPRET GEOMETRIC TOLERANCING PER:		SCALE=1:40 WEIGHT: 2475 Kg SHEET 1 OF 1		
FINISH:				
FIRST ANGLE PROJECTION				

PROPRIETARY AND CONFIDENTIAL  
THE INFORMATION CONTAINED IN THIS DRAWING IS THE SOLE PROPERTY OF DMW MARINE GROUP, LLC. ANY REPRODUCTION IN PART OR AS A WHOLE WITHOUT THE WRITTEN PERMISSION OF DMW MARINE GROUP, LLC IS PROHIBITED.

DMG M170.90A1