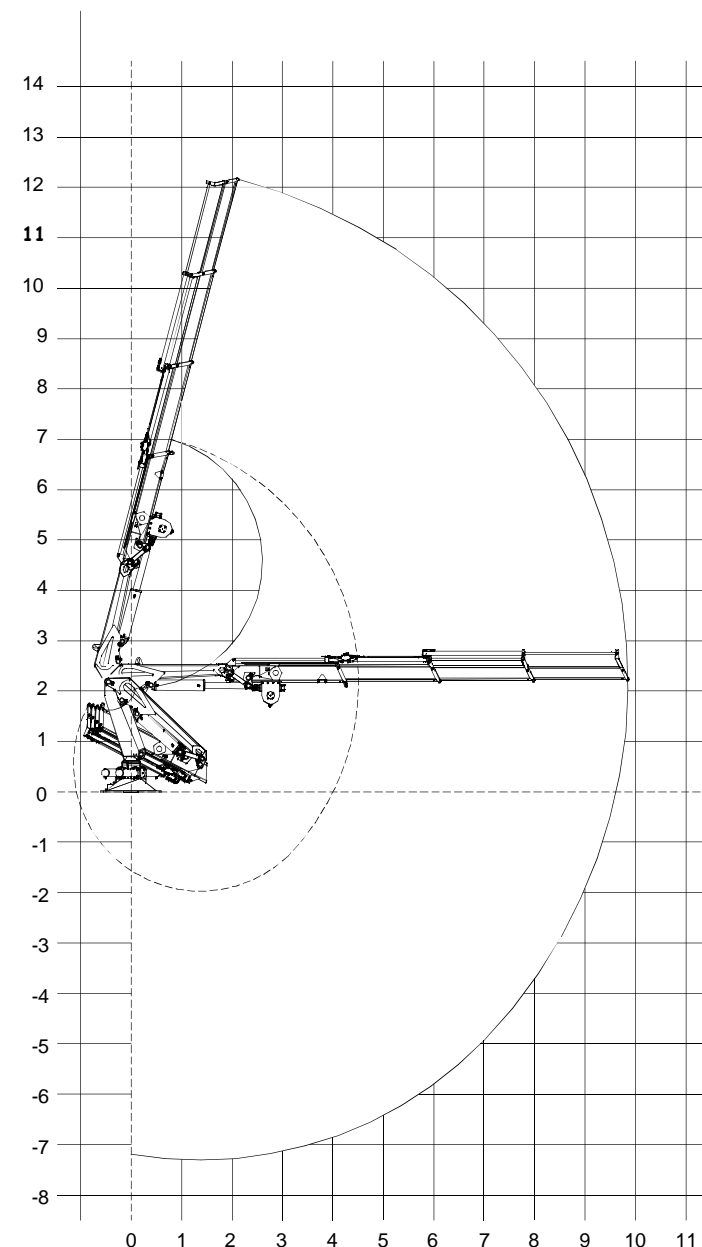


REVISION HISTORY				
ZONE	REV	DESCRIPTION	DATE	APP'D

Positions Diagram (1:75 Scale)



Technical Data

Gross Lifting Moment	164.2 kNm [121107.52 Lbf FT]
Maximum Lifting Dynamic Moment	242.5 kNm [178858.55 Lbf FT]
Max Hydraulic Horizontal Outreach	9.8 m [32' 1-13/16"]
Slewing Angle	409°
Max Rotational Torque	51.7 kNm [38131.91 LBF FT]
Recommended Volume of Oil in Tank	115 L [30.38 Gallons]
Max Working Oil Pressure	210 bar [3146 PSI]
Recommended Pump Delivery	40 L/min [10.57 Gallons/Min]
Electrical Power Requirement	16.5 kW / 22.4 CV
Weight of Standard Crane	2780 kg [6129 LBF]

Mounting Base Installation

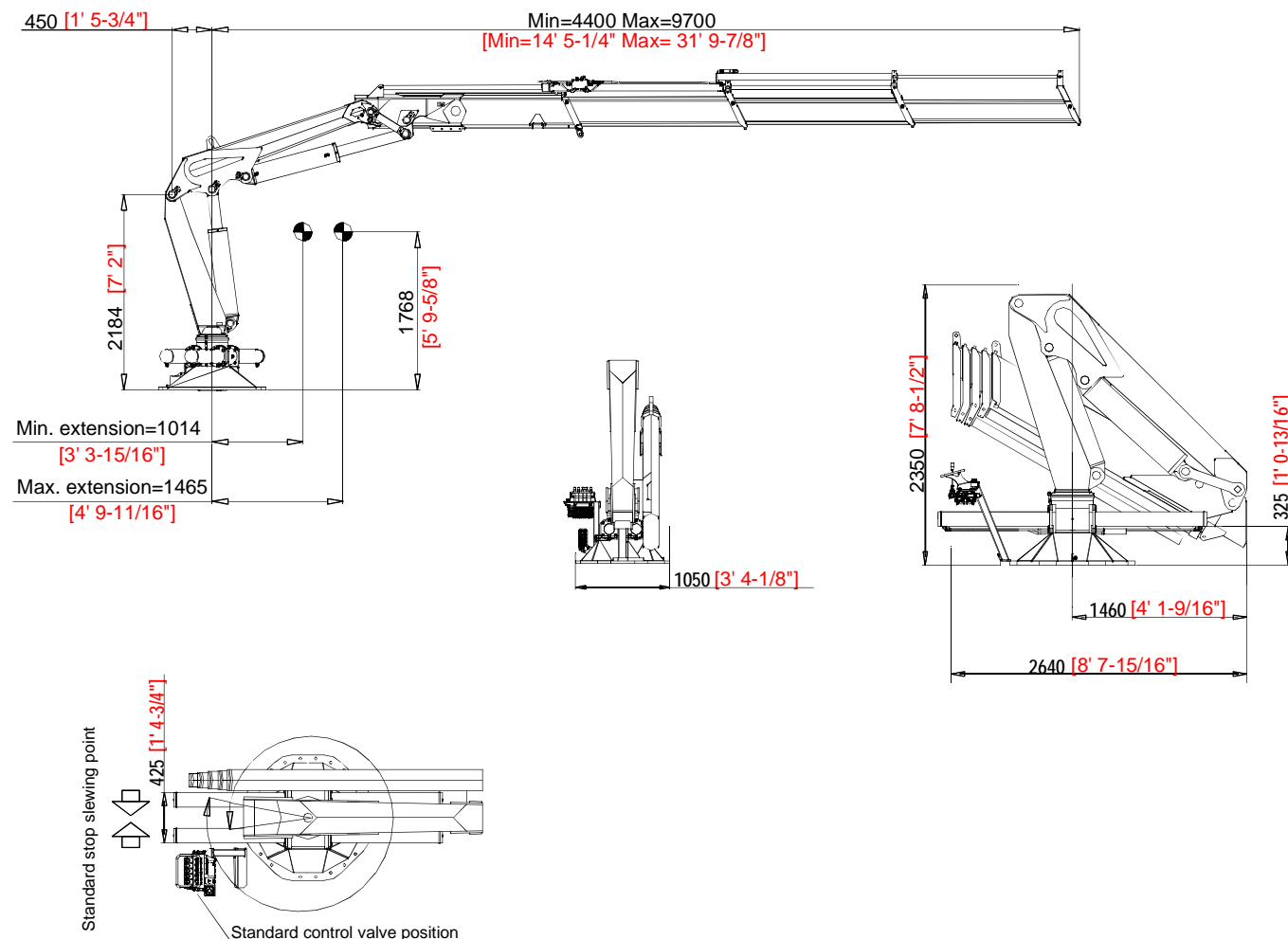
Quantity of Bolts Required	24
Thread Pitch and Class	M24 Class 8.8

Standard Features

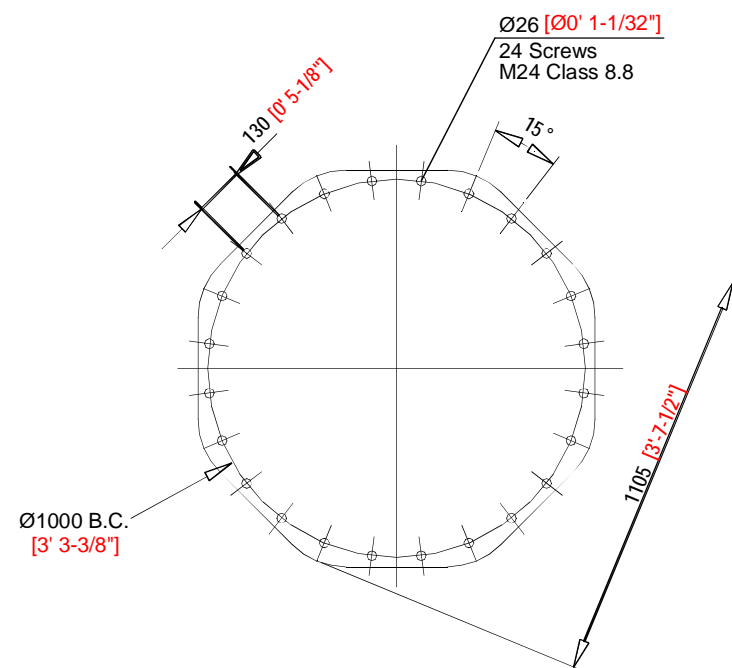
- Built according to DIN 15018-H1-B3 standards.
- Crane structure is sandblasted and metallized.
- Double coat of primer and two layers of paint.
- Special cylinders with Ni-Cr piston rods for marine environments.
- Female fittings in stainless steel, and male fittings in carbon steel.
- Stainless steel hydraulic installation pipes.
- Hoses with rubber "Type A" double coat.
- Wheel-rack slewing system, via cylinders, with bronze bushings.
- Safety valves on the cylinders.
- Hydraulic load limiter.
- Emergency stop button.

Optional Features

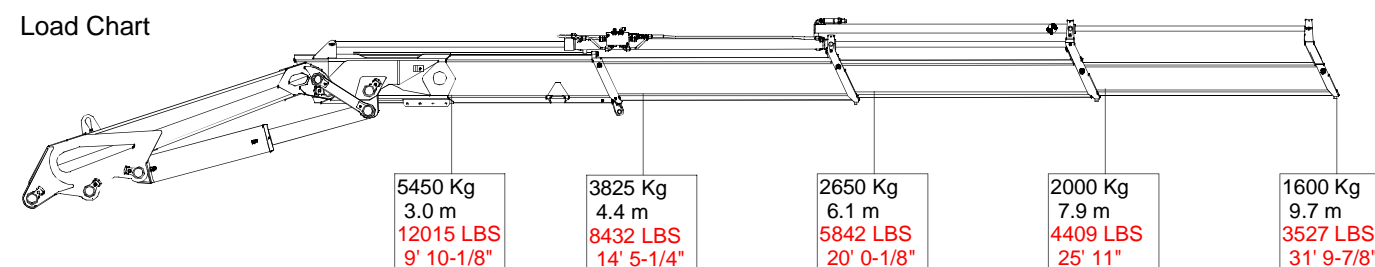
- Hydraulic winch
- Manual extensions
- Remote control
- Auxiliary hydraulic intakes
- Cab



Mounting Base Dimensions (1:10 Scale)



Load Chart



UNLESS OTHERWISE SPECIFIED:	NAME	DATE
DIMENSIONS ARE IN MILLIMETERS	RJS	9/28/13
TOLERANCES:	CHECKED	DW
FRACTIONAL ±	ENG APPR.	
ANGULAR: MATCH ±	MFG APPR.	
BEND ±		
TWO PLACE DECIMAL ±		
THREE PLACE DECIMAL ±		

INTERPRET GEOMETRIC TOLERANCING PER:	Q.A.
FIRST ANGLE PROJECTION	COMMENTS:

PROPRIETARY AND CONFIDENTIAL
THE INFORMATION CONTAINED IN THIS DRAWING IS THE SOLE PROPERTY OF DMW MARINE GROUP, LLC. ANY REPRODUCTION IN PART OR AS A WHOLE WITHOUT THE WRITTEN PERMISSION OF DMW MARINE GROUP, LLC IS PROHIBITED.

DMW MARINE GROUP, LLC CRESTER SPRINGS, PA	
TITLE: MODEL M170.90A3 MARINE CRANE	
SIZE/DWG. NO. D DMG M170.90A3	REV -
SCALE=1:40 WEIGHT: 2780 Kg SHEET 1 OF 1	

DMG M170.90A3 REV