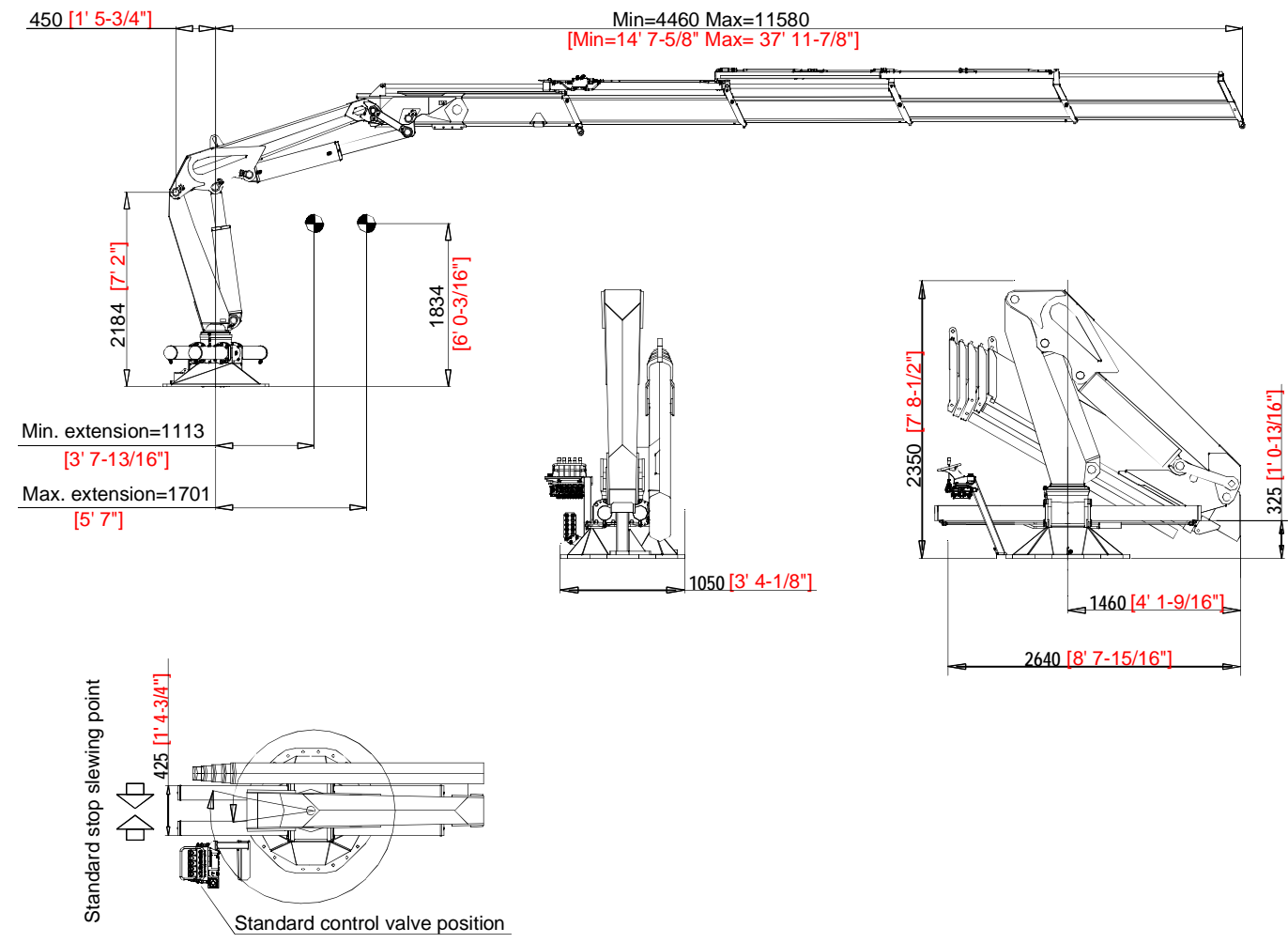
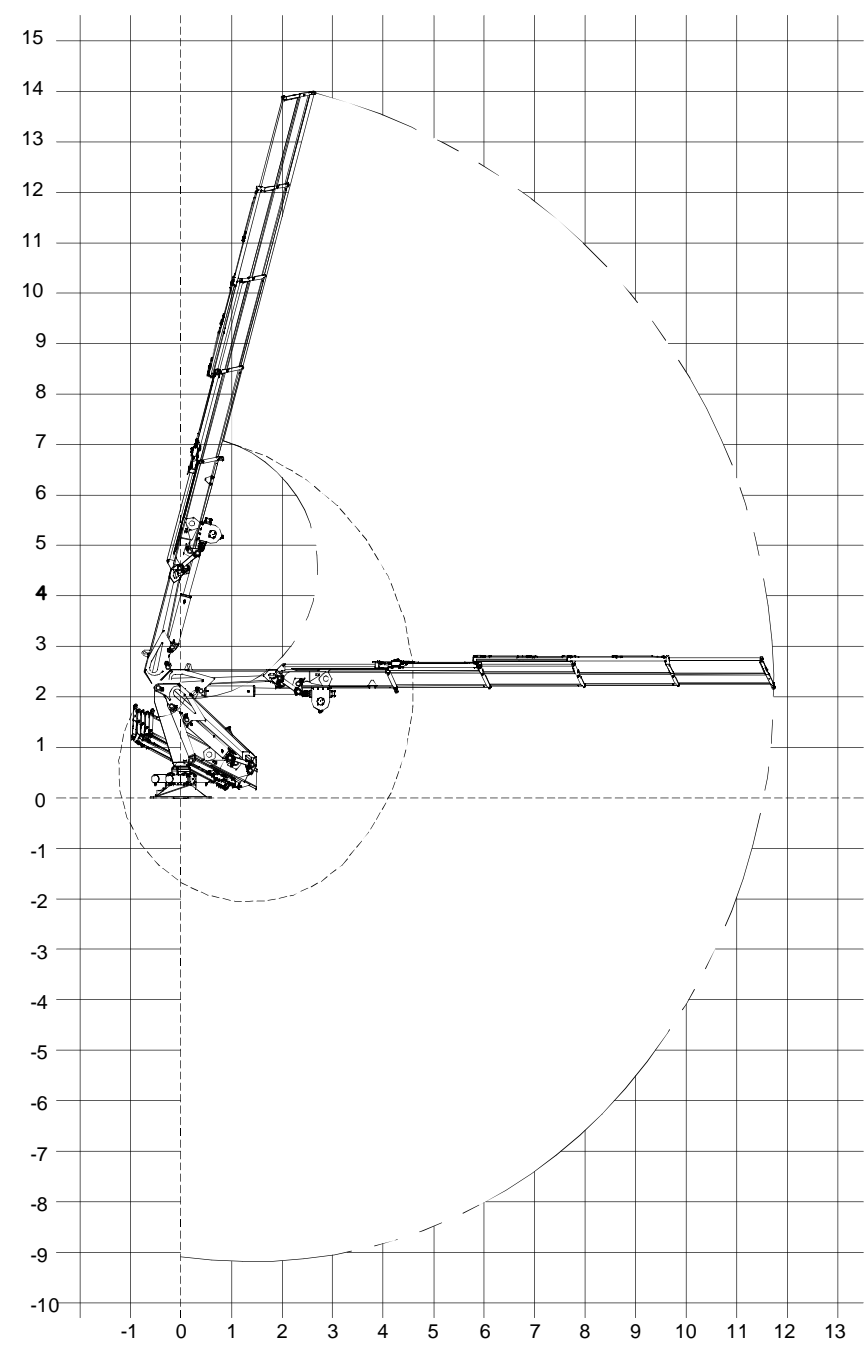


REVISION HISTORY				
ZONE	REV	DESCRIPTION	DATE	APP'D



Positions Diagram (1:75 Scale)



Technical Data

Gross Lifting Moment	160.5 kNm [118378.55 Lbf FT]
Maximum Lifting Dynamic Moment	241.9 kNm [178416.01 Lbf FT]
Max Hydraulic Horizontal Outreach	11.7 m [38' 4-5/8"]
Slewing Angle	409°
Max Rotational Torque	51.7 kNm [38131.91 Lbf FT]
Recommended Volume of Oil in Tank	115 L [30.38 Gallons]
Max Working Oil Pressure	210 bar [3146 PSI]
Recommended Pump Delivery	40 L/min [10.57 Gallons/Min]
Electrical Power Requirement	16.5 kW / 22.4 CV
Weight of Standard Crane	2900 kg [6394 LBF]

Mounting Base Installation

Quantity of Bolts Required	24
Thread Pitch and Class	M24 Class 8.8

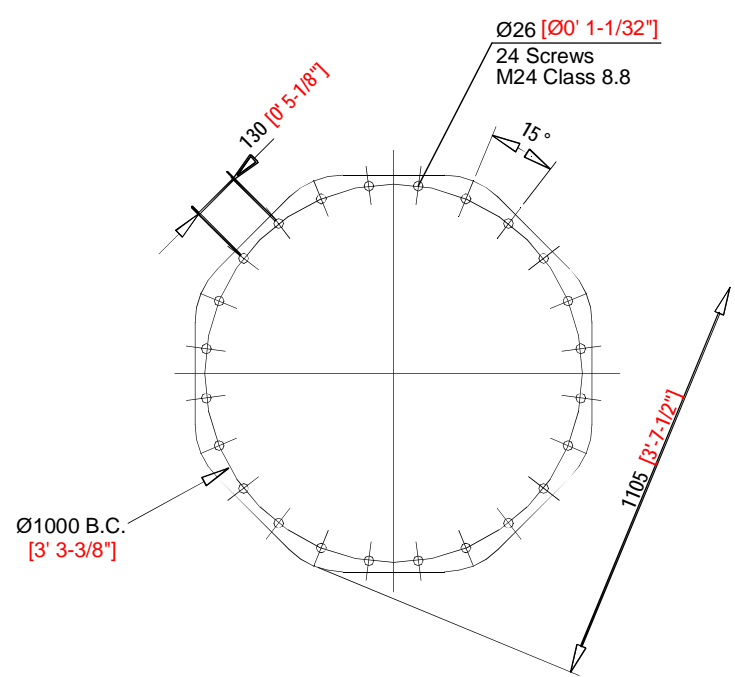
Standard Features

- Built according to DIN 15018-H1-B3 standards.
- Crane structure is sandblasted and metallized.
- Double coat of primer and two layers of paint.
- Special cylinders with Ni-Cr piston rods for marine environments.
- Female fittings in stainless steel, and male fittings in carbon steel.
- Stainless steel hydraulic installation pipes.
- Hoses with rubber "Type A" double coat.
- Wheel-rack slewing system, via cylinders, with bronze bushings.
- Safety valves on the cylinders.
- Hydraulic load limiter.
- Emergency stop button.

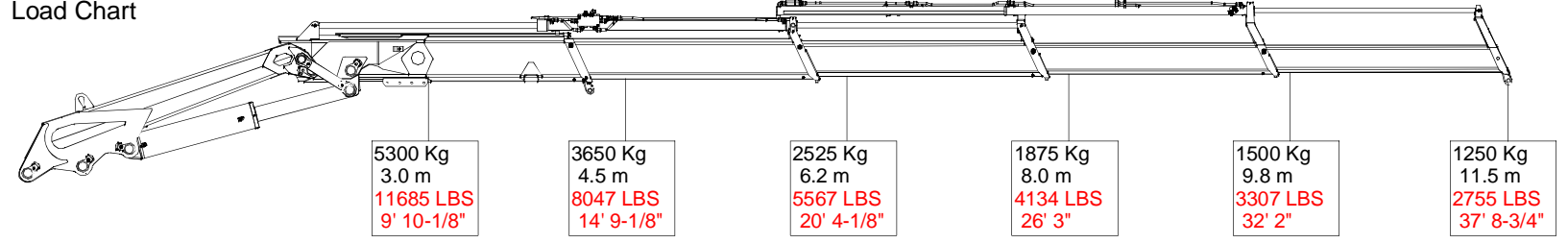
Optional Features

- Hydraulic winch
- Manual extensions
- Remote control
- Auxiliary hydraulic intakes
- Cab

Mounting Base Dimensions (1:10 Scale)



Load Chart



PROPRIETARY AND CONFIDENTIAL
THE INFORMATION CONTAINED IN THIS
DRAWING IS THE SOLE PROPERTY OF
DMW MARINE GROUP, LLC. ANY
REPRODUCTION IN PART OR AS A WHOLE
WITHOUT THE WRITTEN PERMISSION OF
DMW MARINE GROUP, LLC IS PROHIBITED.

UNLESS OTHERWISE SPECIFIED: DIMENSIONS ARE IN MILLIMETERS TOLERANCES: FRACTIONAL ± ANGULAR: MATCH ± BEND ± TWO PLACE DECIMAL ± THREE PLACE DECIMAL ±	DRAWN: RJS 9/28/13	CHECKED: DW 9/28/13	ENG APPR. MFG APPR.	Q.A. COMMENTS:
--	-----------------------	------------------------	------------------------	-------------------

DMW MARINE GROUP, LLC CRESTER SPRING, PA	
TITLE: MODEL M170.90A4 MARINE CRANE	
SIZE/DWG. NO. D DMG M170.90A4	REV —
SCALE=1:40 WEIGHT: 2900 Kg SHEET 1 OF 1	

D DMG M170.90A4 REV