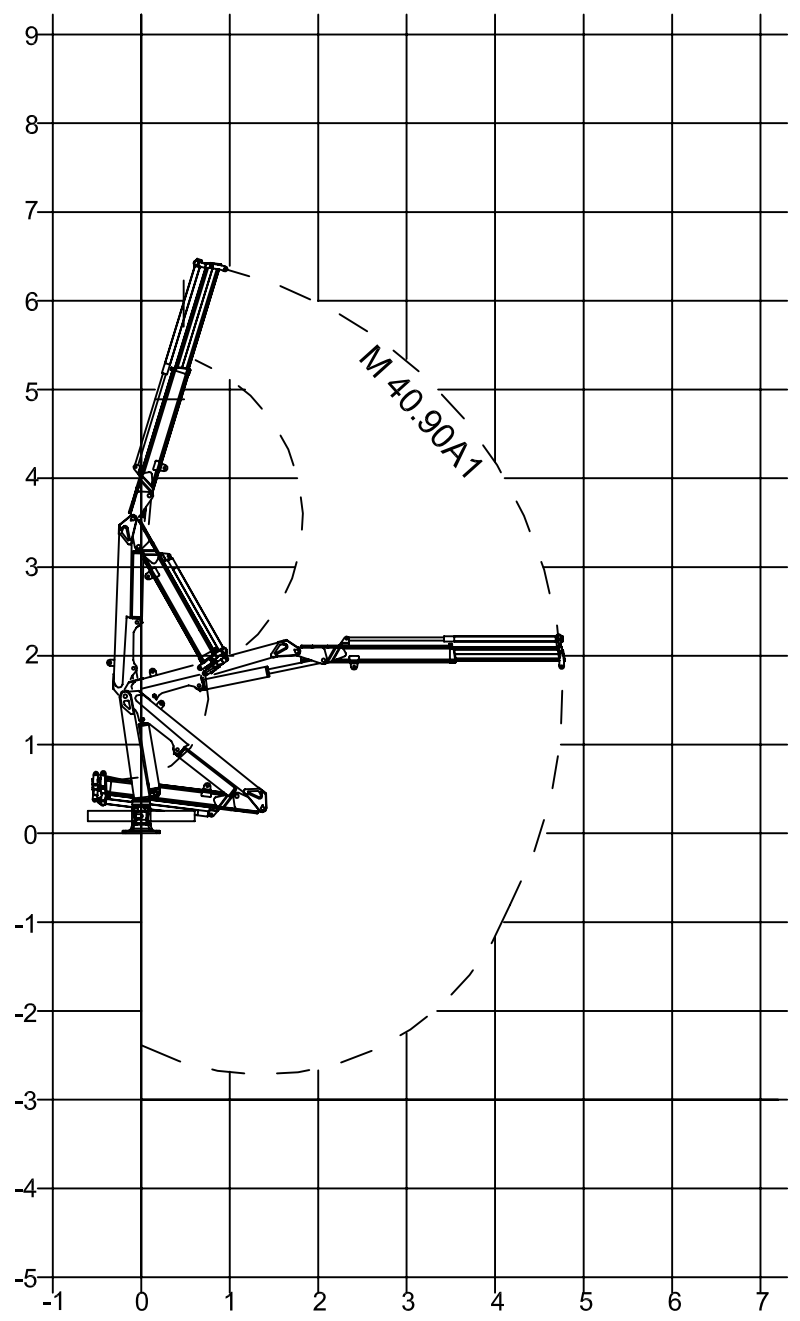


REVISION HISTORY				
ZONE	REV	DESCRIPTION	DATE	APP'D
	-	RELEASE DWG	6/5/14	DW

Positions Diagram



Technical Data

Gross Lifting Moment	38.77 kNm [28595.24 Lbf FT]
Maximum Lifting Dynamic Moment	53.29 kNm [39304.63 Lbf FT]
Max Hydraulic Horizontal Outreach	4.75 m [15' 7"]
Slewing Angle	400°
Max Rotational Torque	15.98 kNm [11786.23 IBf FT]
Recommended Volume of Oil in Tank	20 L [5.28 Gallons]
Max Working Oil Pressure	195 bar [2828 PSI]
Recommended Pump Delivery	20 L/min [5.28 Gallons/Min]
Electrical Power Requirement	7.64 kW / 10.39 CV
Weight of Standard Crane	730 kg [1610 LBF]

Mounting Base Installation

Quantity of Bolts Required	8
Thread Pitch and Class	M20 Class 8.8

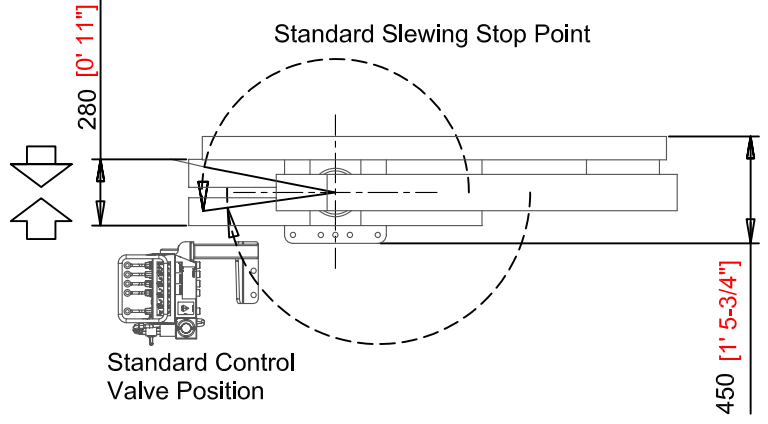
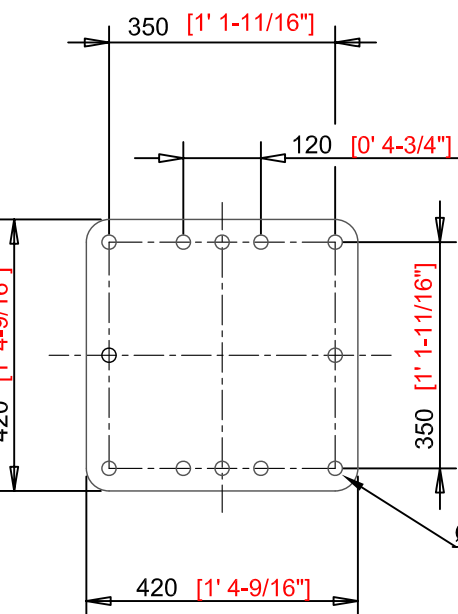
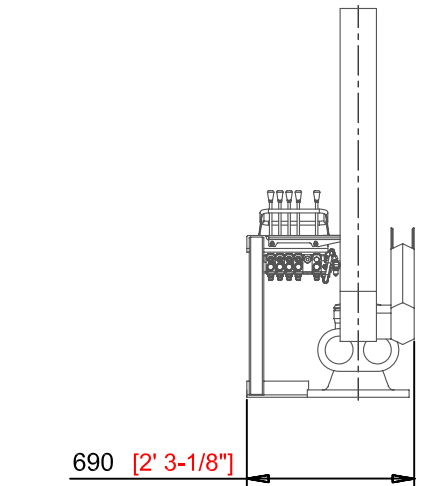
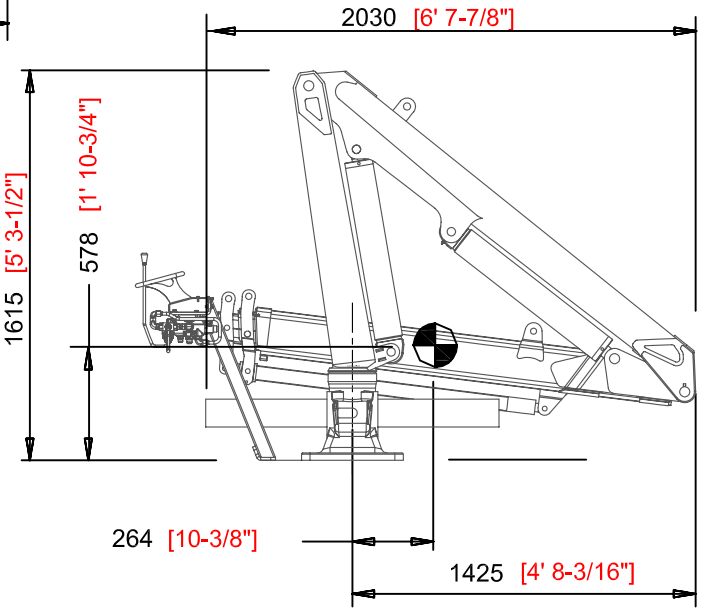
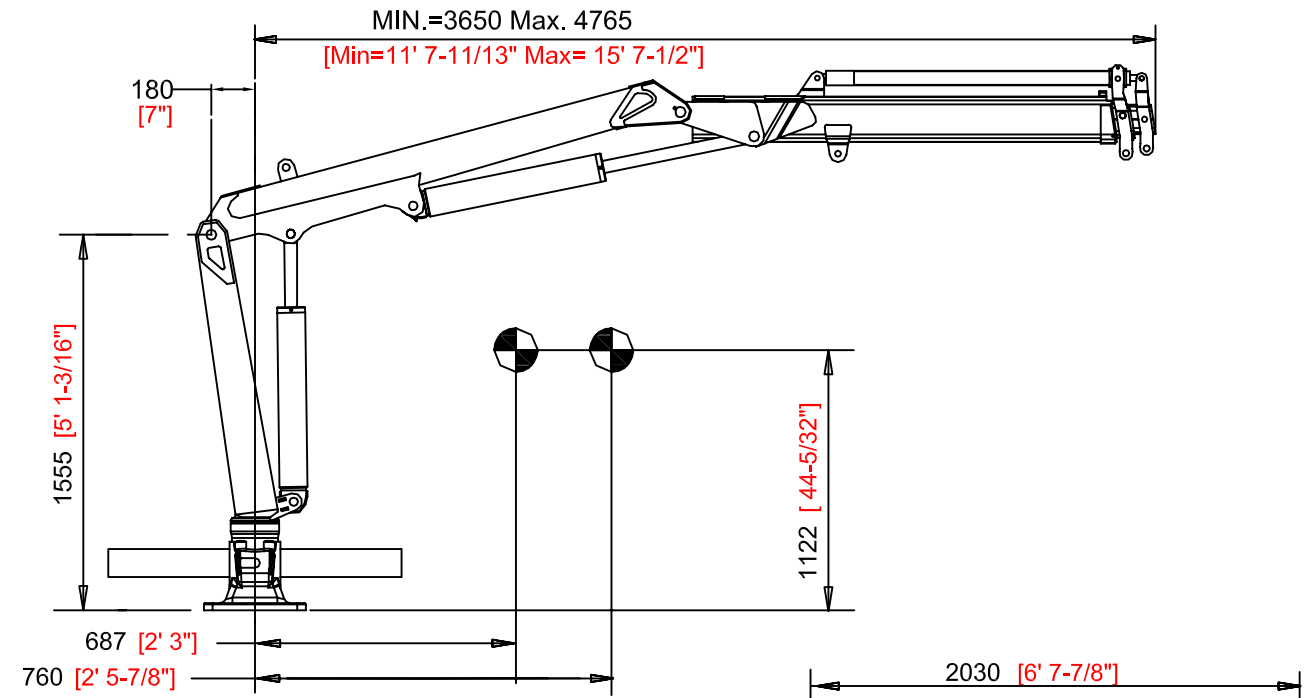
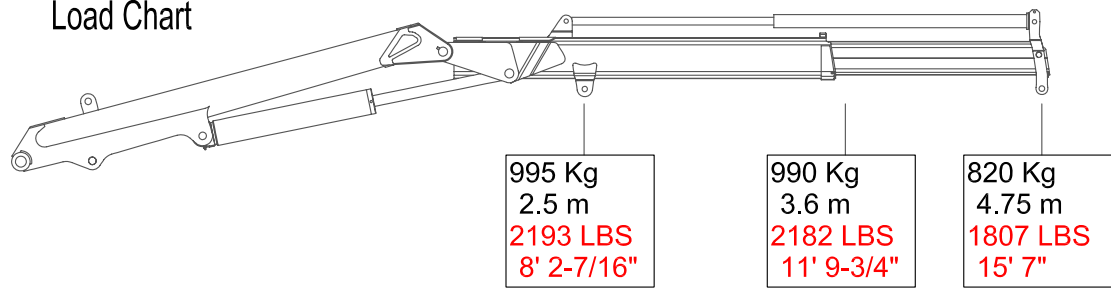
Standard Features

- Built according to DIN 15018-H1-B3 standards.
- Crane structure is sandblasted and metallized.
- Double coat of primer and two layers of paint.
- Special cylinders with Ni-Cr piston rods for marine environments.
- Female fittings in stainless steel, and male fittings in carbon steel.
- Stainless steel hydraulic installation pipes and hoses, except for control valve and tube fittings.
- Hoses with rubber "type A" double coat.
- Wheel-rack slewing system, via cylinders, with bronze bushings.
- Safety valves on the cylinders.
- Emergency stop button.

Optional Features

- Hydraulic winch
- Manual extensions
- Remote control
- Auxiliary hydraulic intakes
- Cab

Load Chart



UNLESS OTHERWISE SPECIFIED:		NAME DATE		DMW MARINE GROUP, LLC	
DIMENSIONS ARE IN MILLIMETERS		DRAWN	JL	6/5/14	CHESTER SPRING, PA
TOLERANCES:		CHECKED	DW	6/5/14	TITLE:
FRACTIONAL ±		ENG APPR.			MODEL M40.90A1
ANGULAR MACH ± BEND ±		MFG APPR.			MARINE CRANE
TWO PLACE DECIMAL ±		Q.A.			SIZE/DWG. NO.
THREE PLACE DECIMAL ±		COMMENTS:			D DMW-M40-90A1
INTERPRET GEOMETRIC TOLERANCING PER:					SCALE=NTS
FIRST ANGLE PROJECTION					WEIGHT: 730 Kg
FIRST ANGLE PROJECTION					SHEET 1 OF 1
PROPRIETARY AND CONFIDENTIAL					REV
THE INFORMATION CONTAINED IN THIS DRAWING IS THE SOLE PROPERTY OF DMW MARINE GROUP, LLC. ANY REPRODUCTION IN PART OR AS A WHOLE WITHOUT THE WRITTEN PERMISSION OF DMW MARINE GROUP, LLC IS PROHIBITED.					-