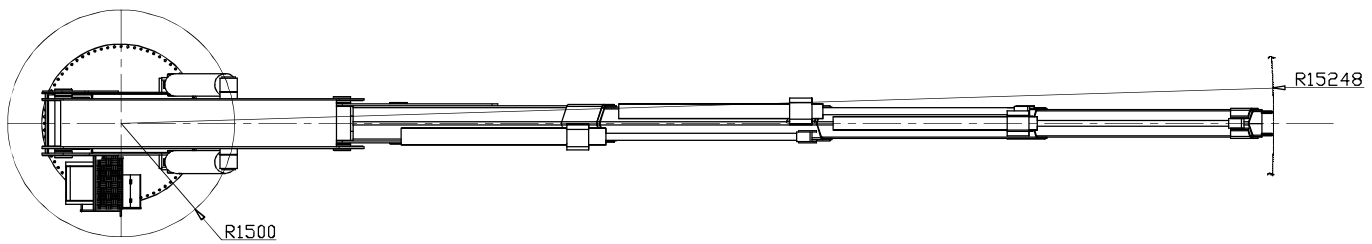
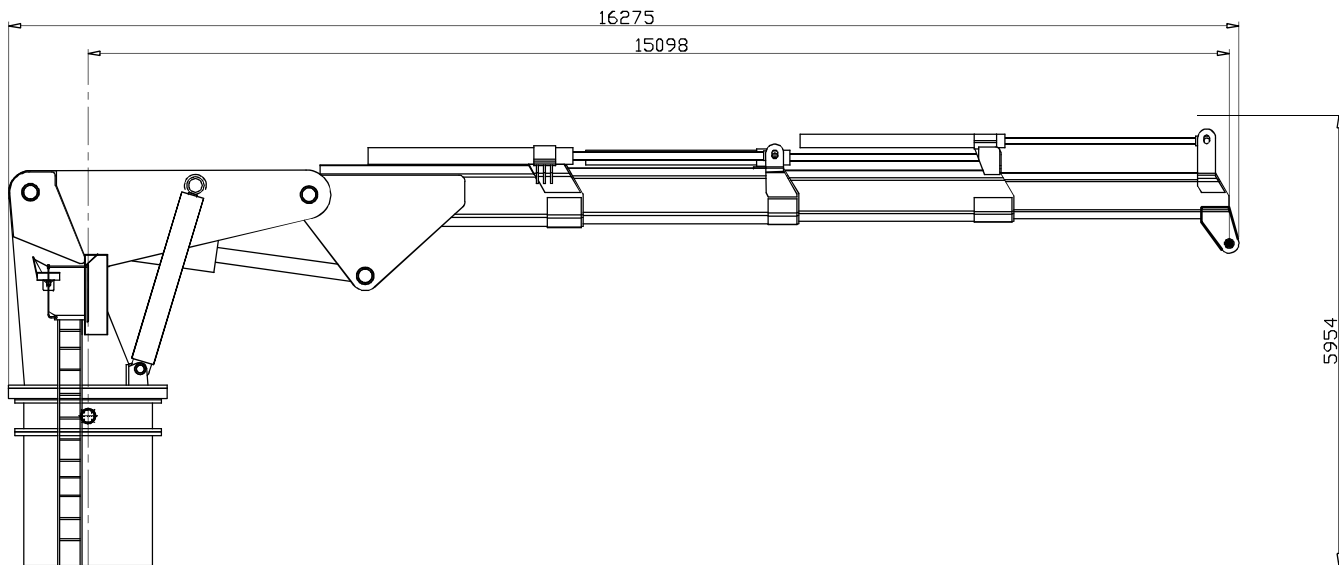
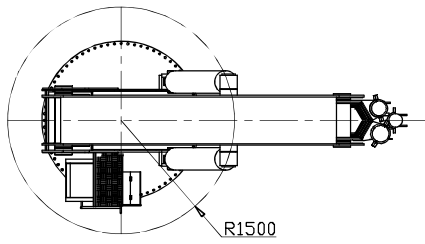
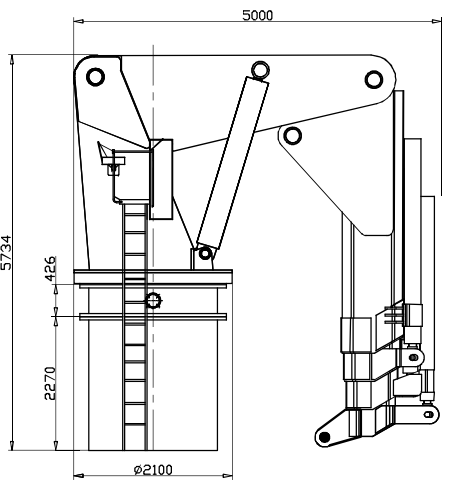


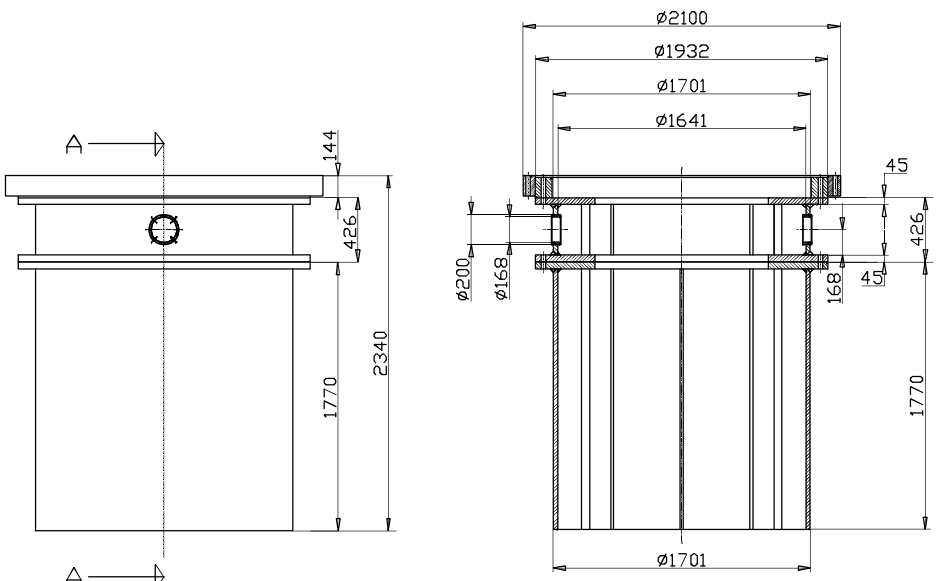
REVISION HISTORY				
ZONE	REV	DESCRIPTION	DATE	APP'D



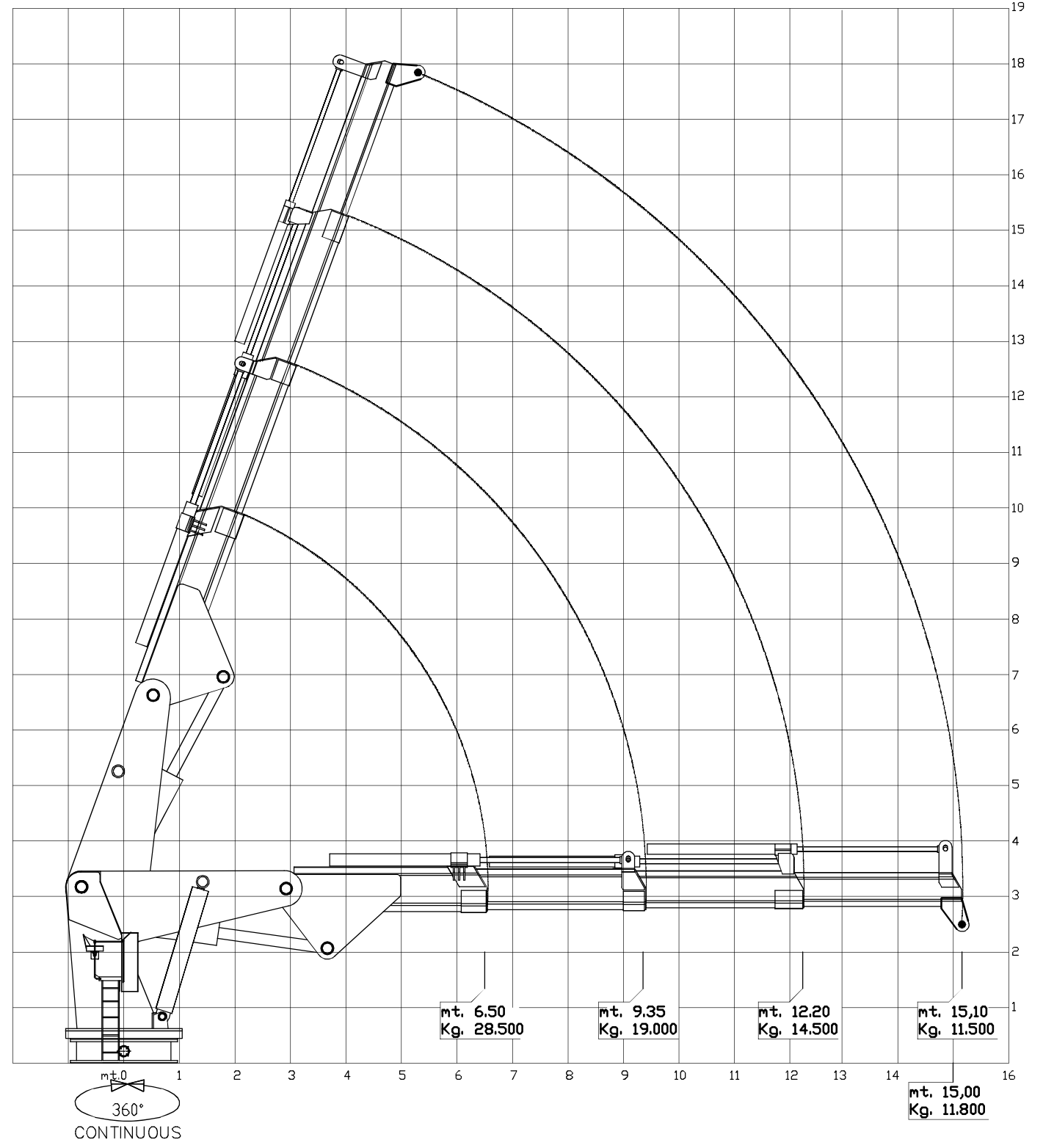
EXTENDED POSITION



PARKED POSITION



PEDESTAL AND COUNTERBASE  
SCALE=1:25



CRANE WEIGHT: 22,080 Kg

UNLESS OTHERWISE SPECIFIED: DIMENSIONS ARE IN MILLIMETERS TOLERANCES: FRACTIONAL ± ANGULARS: MACH ± BEND ± TWO PLACE DECIMAL ± THREE PLACE DECIMAL ±		NAME: RJS DATE: 5/2/13	DMW MARINE GROUP, LLC CHESTER SPRINGS, PA TITLE: MODEL 200.000 EX3 KNUCKLE BOOM CRANE HSHI S672 MOON POOL
PROPRIETARY AND CONFIDENTIAL THE INFORMATION CONTAINED IN THIS DRAWING IS THE SOLE PROPERTY OF DMW MARINE GROUP, LLC. ANY REPRODUCTION IN PART OR AS A WHOLE WITHOUT THE WRITTEN PERMISSION OF DMW MARINE GROUP, LLC IS PROHIBITED.		DRAWN: RJS CHECKED: DW ENG APPR: MFG APPR:	
INTERPRET GEOMETRIC TOLERANCING PER: FIRST ANGLE PROJECTION		Q.A. PROJECT: HSHI S672 MOON POOL CRANES	
SCALE=1:50		SIZE: DWG. NO. DMG 200.000EX3 WEIGHT: 22,080 Kg	

D DMG 200.000EX3