



# DMWMARINEGROUP

dmwmarinegroup.com



## M80.20A MARINE CRANE

### SPECIFICATIONS

#### TECHNICAL DATA

		M80.20A1	M80.20A2	M80.20A3	M80.20A4
Gross Lifting Moment	kNm	76.7	73.5	70.5	67.4
Max Hydraulic Horizontal Outreach	m	6.2	8.1	9.9	11.8
Slewing Angle	°	430	430	430	430
Max Rotational Torque	kNm	18.0	18.0	18.0	18.0
Max Working Oil Pressure	bar	240	240	240	240
Max Pump Delivery	L/min	25	25	25	25
Mass of Standard Crane	kg	1073	1180	1280	1360

#### MOUNTING BASE INSTALLATION

Quantity of Bolts Required 12

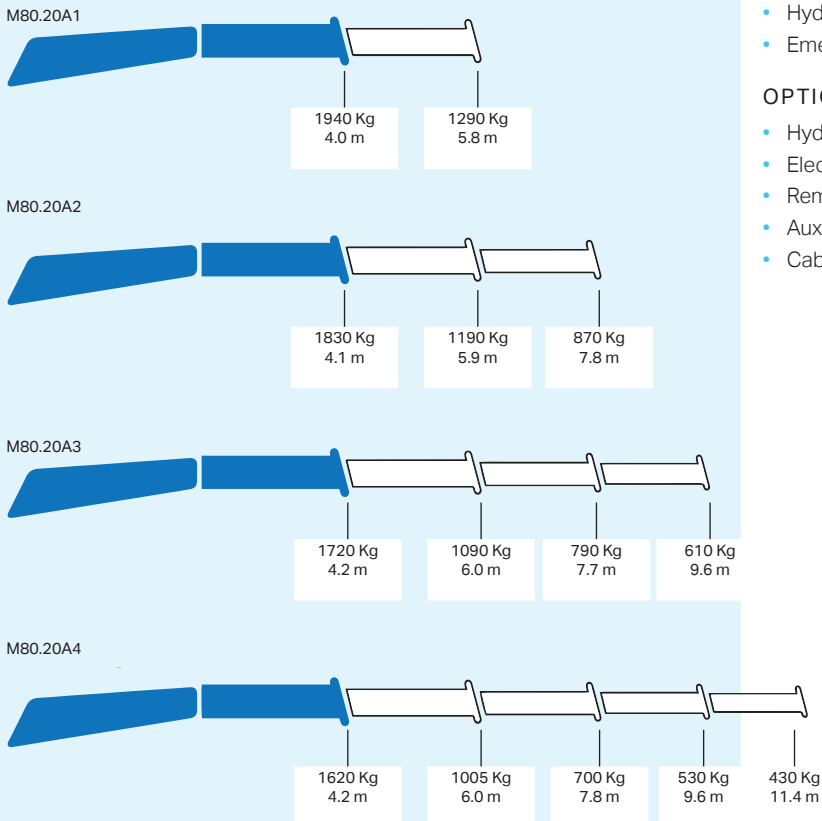
#### STANDARD FEATURES

- Built according to DIN 15018-H1-B3 standards.
- Crane structure is sandblasted and metallized.
- Double coat of primer and two layers of paint.
- Special cylinders with Ni-Cr piston rods for marine environments.
- Female fittings in stainless steel, and male fittings in carbon steel.
- Stainless steel hydraulic installation pipes.
- Hoses with rubber "type A" double coat.
- Wheel-rack slewing system, via cylinders, with bronze bushings.
- Safety valves on the cylinders.
- Hydraulic load limiter.
- Emergency stop button.

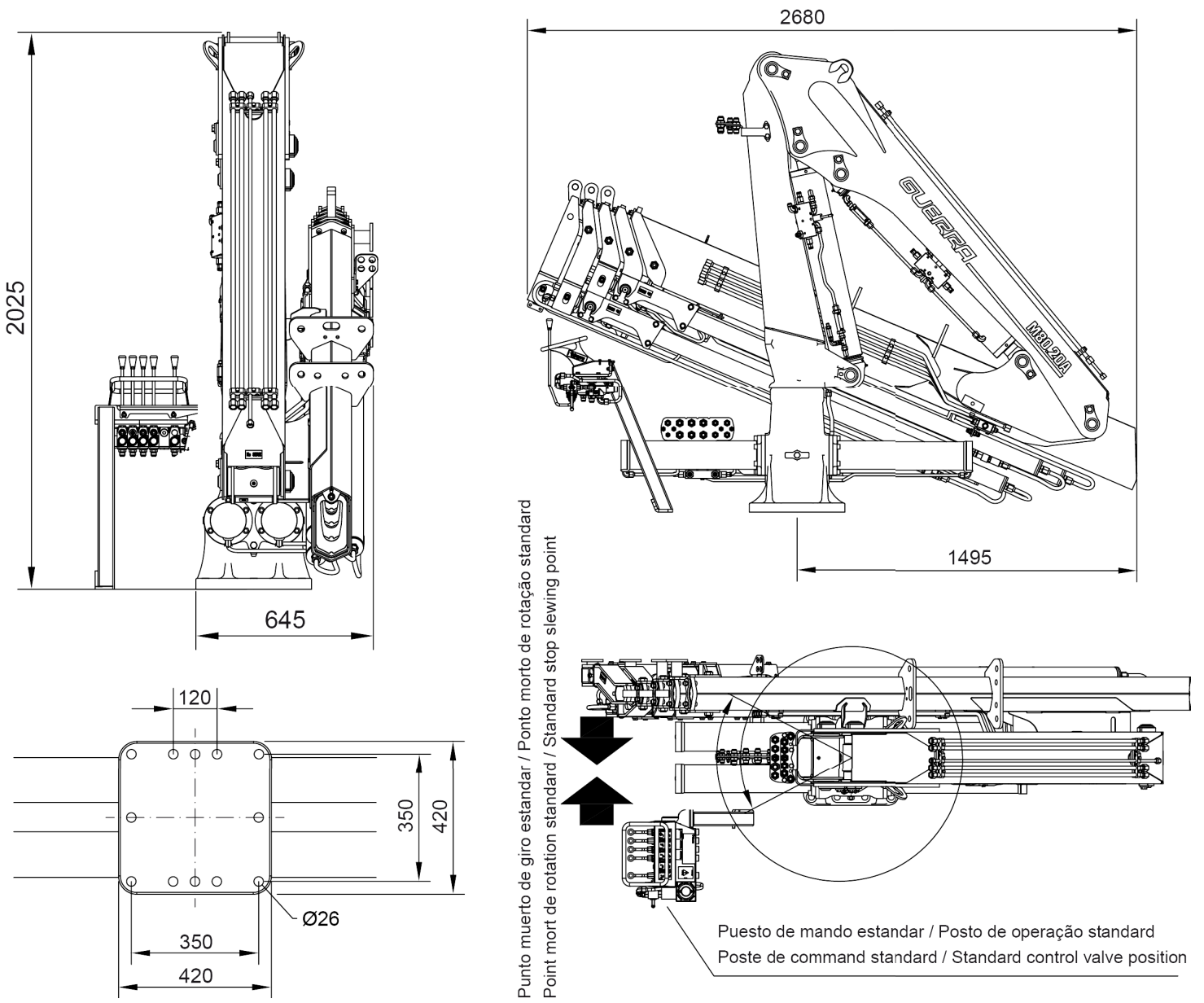
#### OPTIONAL FEATURES

- Hydraulic winch
- Electric, diesel or gasoline HPU
- Remote control
- Auxiliary hydraulic intakes
- Cab

### LOAD CHART



## DIMENSIONS



## POSITION DIAGRAM

